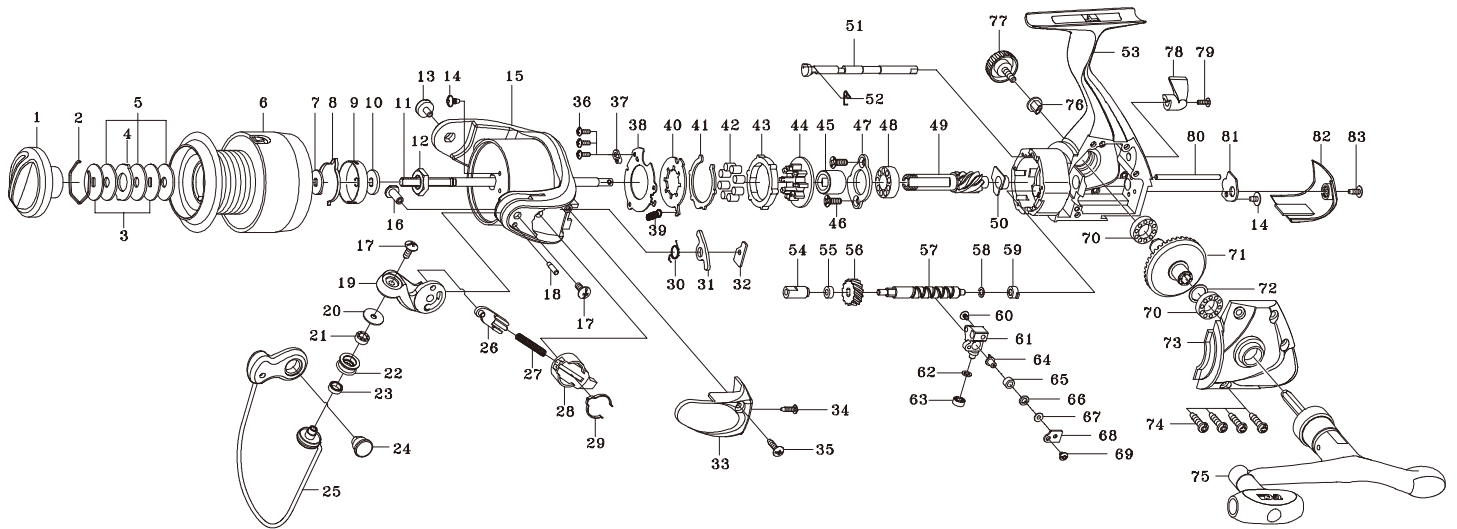


SPINNING REEL

GR4000BH/GR4500BH/GR4000HBH/GR4500HBH

Please order by parts number, not key number
Bitte, Best.-Nr. angeben (Nicht "key" -nr.)
Veuillez indiquer le numero de la pièce (Non "key" no.)

**Key NO.****Parts No.****Parts name**

2-6	2YT-123-03	SPOOL ASSEMBLY
1	2YD-030-01	DRAG KNOB ASSEMBLY
2	2E4-009-01	DRAG WASHER RETAINER
3	2W2-005-01	KEY WASHER
4	2W3-003-01	EARED WASHER
5	2W1-052-01	050-187 WASHER
6	2YS-062-03	SPOOL ASSEMBLY
7	2W2-023-01	KEY WASHER
8	2L3-018-01	SPOOL CLICK LEAF SPRING
9	2F8-027-01	CLICK LEAF SPRING HOLDER
10	2W2-024-01	KEY WASHER
11	2M3-039-01	MAIN SHAFT
12	2E3-002-01	ROTOR NUT
13	2E0-008-01	BAIL HOLDER SCREW
14	2E1-028-01	B26-050 SCREW
15	2R1-091-01	ROTOR
16	2E3-040-02	SHAFT NUT
17	2E2-018-01	B30M-080 SCREW
18	2P1-032-01	BAIL ARM PIN
19	2R2-037-01	BAIL ARM
20	2C1-034-01	LINE ROLLER COLLAR
21	2Z1-012-02	407-2.5 BALL BEARING
22	2R6-020-02	LINE ROLLER
23	2C2-032-01	LINE ROLLER BUSH
24	2E3-019-01	BAIL HOLDER NUT
25	2YL-099-01	BAIL ASSEMBLY
26	2R5-109-01	BAIL TRIP SHAFT
27	2Q1-023-01	BAIL SPRING
28	2C2-084-01	BAIL SPRING GUIDE
29	2L3-029-01	CLICK LEAF SPRING
30	2Q3-056-01	BAIL TRIP LEVER SPRING
31	2R5-112-01	BAIL TRIP LEVER
32	2W5-037-01	SPACER
33	2R4-113-01	BAIL SPRING COVER
34	2E1-048-01	B22-080 SCREW
35	2E1-046-01	B26-110 SCREW
36	2E1-029-01	B22-090 SCREW
37	2F8-079-01	ANTI-REVERSE SPRING ANCHOR
38	2F5-189-01	ROLLER CLUTCH RETAINER
39	2Q2-016-01	SPRING
40	2F2-027-01	ANTI-REVERSE PAWL
41	2W5-036-01	WASHER
42	2Z3-003-01	ROLLER
43	2A3-025-01	ANTI-REVERSE RATCHET
44	2F8-082-01	CAGE
45	2A4-026-01	ONE-WAY CLUTCH INNER TUBE
46	2E1-068-01	F30-100 SCREW
47	2F5-203-01	BEARING RETAINER
48	2Z1-005-01	816-5 BALL BEARING
49	2G2-041-01	PINION GEAR
50	2C2-048-01	PINION GEAR BUSHING
51	2A2-027-01	ANTI-REVERSE CAM
52	2Q3-009-01	ANTI-REVERSE SPRING
53	2YB-092-01	BODY ASSEMBLY

Key NO.**Parts No.****Parts name**

54	2C2-049-01	WORM SHAFT BUSH C
55	2C1-048-01	WORM SHAFT COLLAR
56	2G3-018-01	WORM SHAFT GEAR
57	2M4-008-01	WORM SHAFT
58	2W1-058-02	030-050 WASHER
59	2C2-035-01	WORM SHAFT BUSH A
60	2E2-009-01	F23M-060 SCREW
61	2M1-024-01	OSCILLATING SLIDER
62	2W1-058-03	030-050 WASHER
63	2Z1-014-01	306-2.5 BALL BEARING
64	2M5-004-01	LINE GUIDE PIN
65	2C2-034-01	LINE GUIDE PIN BUSH
66	2W1-107-02	030-050 WASHER
67	2W1-059-01	020-049 WASHER
68	2F5-083-01	OSCILLATING SLIDER COVER
69	2E2-022-01	B20M-030 SCREW
70	2Z1-004-01	814-3.5 BALL BEARING
71	2G1-025-01	DRIVE GEAR
72	2W1-035-00	080-105 WASHER
73	2YC-084-01	BODY COVER ASSEMBLY
74	2E1-006-02	A30-130 SCREW
75	2YH-076-01	HANDLE ASSEMBLY
76	2C3-023-01	HANDLE SCREW SLEEVE
77	2H6-001-06	HANDLE SCREW CAP
78	2A1-025-01	ANTI-REVERSE LEVER
79	2E2-013-02	B20M-060 SCREW
80	2P1-024-01	OSCILLATING SLIDER PIN
81	2F5-078-01	WORM SHAFT COVER
82	2F5-080-01	REAR COVER
83	2E1-016-02	B26-080 SCREW
GR4500BH	SPECIAL PARTS	
2-6	2YT-125-03	SPOOL ASSEMBLY
6	2YS-064-03	SPOOL ASSEMBLY
15	2R1-092-01	ROTOR
25	2YL-100-01	BAIL ASSEMBLY
31	2R5-113-01	BAIL TRIP LEVER
33	2R4-114-01	BAIL SPRING COVER
GR4000HBH	SPECIAL PARTS	
2-6	2YT-123-05	SPOOL ASSEMBLY
6	2YS-062-05	SPOOL ASSEMBLY
49	2G2-054-01	PINION GEAR
56	2G3-031-01	WORM SHAFT GEAR
71	2G1-041-01	DRIVE GEAR
GR4500HBH	SPECIAL PARTS	
2-6	2YT-125-04	SPOOL ASSEMBLY
6	2YS-064-04	SPOOL ASSEMBLY
15	2R1-092-01	ROTOR
25	2YL-100-01	BAIL ASSEMBLY
31	2R5-113-01	BAIL TRIP LEVER
33	2R4-114-01	BAIL SPRING COVER
49	2G2-054-01	PINION GEAR
56	2G3-031-01	WORM SHAFT GEAR
71	2G1-041-01	DRIVE GEAR