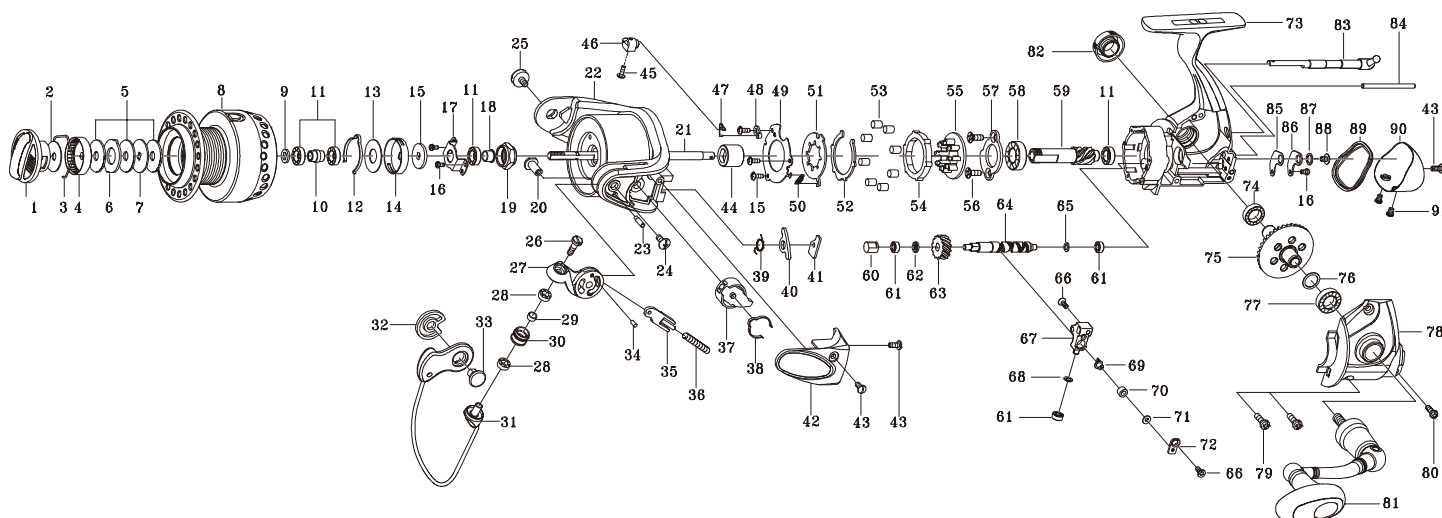


## SPINNING REEL

**TP3000S/TP4000S**  
**TP3000SH/TP4000SH (BLACK SERIES)**

Please order by parts number, not key number  
 Bitte, Best.-Nr. angeben (Nicht "key" -nr.)  
 Veuillez indiquer le numero de la piece (Non "key" no.)



Key NO.	Parts No.	Parts name	Key NO.	Parts No.	Parts name
2-8	2YT-190-01	SPOOL ASSEMBLY	54	2A3-025-01	ANTI-REVERSE RATCHET
1	2YD-048-01	DRAG KNOB ASSEMBLY	55	2F8-082-01	CAGE
2	2W1-130-01	050-170 WASHER	56	2E2-011-01	F30M-080 SCREW
3	2E4-022-01	DRAG WASHER RETAINER	57	2F5-203-01	BEARING RETAINER
4	2F3-047-01	DRAG KNOB CLICK NUT	58	2Z1-005-03	816-5 BALL BEARING
5	2W1-052-01	050-187 WASHER	59	2G2-056-01	PINION GEAR
6	2W3-003-01	EARED WASHER	60	2C2-036-01	WORM SHAFT BUSH
7	2W2-005-01	KEY WASHER	61	2Z1-014-02	306-2.5 BALL BEARING
8	2YS-112-01	SPOOL ASSEMBLY	62	2C1-071-01	WORM SHAFT COLLAR
9	2W2-014-01	KEY WASHER	63	2G3-037-01	WORM SHAFT GEAR
10	2C1-076-01	BEARING SPACER	64	2M4-018-01	WORM SHAFT
11	2Z1-013-02	610-3 BALL BEARING	65	2W1-058-03	030-050 WASHER
12	2L3-014-01	SPOOL CLICK LEAF SPRING	66	2E2-009-01	F23M-060 SCREW
13	2W1-053-02	080-185 WASHER	67	2M1-032-01	OSCILLATING SLIDER
14	2F8-013-02	CLICK LEAF SPRING HOLDER	68	2W1-058-02	030-050 WASHER
15	2W2-024-01	KEY WASHER	69	2M5-007-01	LINE GUIDE PIN
16	2E2-050-01	A20M-035 SCREW	70	2C2-034-01	LINE GUIDE PIN BUSH
17	2F6-049-01	ROTOR NUT HOLDING PLATE	71	2W1-059-01	020-049 WASHER
18	2C2-061-01	MAIN SHAFT COLLAR	72	2F5-181-01	OSCILLATING SLIDER COVER
19	2E3-033-01	ROTOR NUT	73	2YB-138-02	BODY ASSEMBLY
20	2E3-040-02	SHAFT NUT	74	2Z1-010-02	812-3.5 BALL BEARING
21	2M3-066-01	MAIN SHAFT	75	2G1-042-01	DRIVE GEAR
22	2R1-095-02	ROTOR	76	2W1-035-00	080-105 WASHER
23	2P1-032-01	BAIL ARM PIN	77	2Z1-023-02	814-4 BALL BEARING
24	2E2-018-01	B30M-080 SCREW	78	2B2-037-02	BODY COVER
25	2E0-008-02	BAIL HOLDER SCREW	79	2E2-060-02	A30M-100 SCREW
26	2E0-031-01	X30M-070 SCREW	80	2E2-031-01	A26M-075 SCREW
27	2R2-029-02	BAIL ARM	81	2YH-142-01	HANDLE ASSEMBLY
28	2Z1-012-02	407-2.5 BALL BEARING	82	2H6-015-02	HANDLE SCREW CAP
29	2C1-077-01	LINE ROLLER COLLAR	83	2YA-024-01	ANTI-REVERSE CAM ASSEMBLY
30	2R6-022-01	LINE ROLLER	84	2P1-025-01	OSCILLATING SLIDER PIN
31	2YL-101-01	BAIL ASSEMBLY	85	2W5-031-01	WORM SHAFT COVER GASKET
32	2F6-061-01	HOLDING PLATE	86	2F5-161-01	WORM SHAFT COVER
33	2E3-037-01	BAIL HOLDER NUT	87	2W1-124-02	045-065 WASHER
34	2P1-016-01	BAIL ARM PIN	88	2E2-003-01	B26M-036 SCREW
35	2R5-085-01	BAIL TRIP SHAFT	89	2F6-054-01	WATER SHIELD
36	2Q1-023-01	BAIL SPRING	90	2F5-162-01	REAR COVER
37	2C2-066-01	BAIL SPRING GUIDE	91	2E0-033-01	X26M-035 SCREW
38	2L3-029-01	CLICK LEAF SPRING	TP4000S	SPECIAL PARTS	
39	2Q3-056-01	BAIL TRIP LEVER SPRING	2-8	2YT-191-01	SPOOL ASSEMBLY
40	2R5-086-01	BAIL TRIP LEVER	8	2YS-113-01	SPOOL ASSEMBLY
41	2W5-037-01	SPACER	TP3000SH	SPECIAL PARTS	
42	2YR-055-01	BAIL SPRING COVER ASSEMBLY	2-8	2YT-190-02	SPOOL ASSEMBLY
43	2E0-010-01	X26M-060 SCREW	8	2YS-112-02	SPOOL ASSEMBLY
44	2A4-026-01	ONE-WAY CLUTCH INNER TUBE	59	2G2-069-01	PINION GEAR
45	2E2-013-02	B20M-060 SCREW	63	2G3-044-01	WORM SHAFT GEAR
46	2A2-060-01	CAM	75	2G1-050-01	DRIVE GEAR
47	2Q3-009-01	ANTI-REVERSE SPRING	TP4000SH	SPECIAL PARTS	
48	2F8-079-01	ANTI-REVERSE SPRING ANCHOR	2-8	2YT-191-02	SPOOL ASSEMBLY
49	2F5-189-01	ROLLER CLUTCH RETAINER	8	2YS-113-02	SPOOL ASSEMBLY
50	2Q2-016-01	SPRING	59	2G2-069-01	PINION GEAR
51	2F2-027-01	ANTI-REVERSE PAWL	63	2G3-044-01	WORM SHAFT GEAR
52	2W5-036-01	WASHER	75	2G1-050-01	DRIVE GEAR
53	2Z3-003-01	ROLLER			