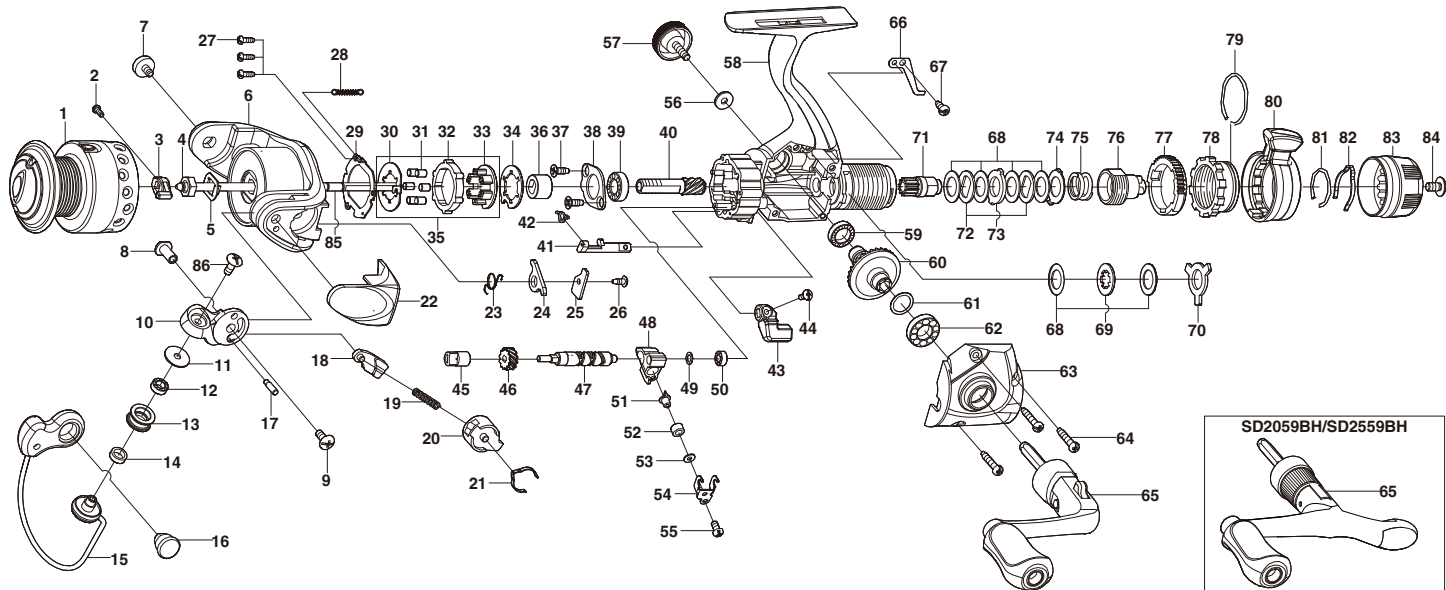




# SPINNING REEL SD2059/SD2059BH/SD2559/SD2559BH

Please order by parts number, not key number  
 Bitte, Best.-Nr. angeben (Nicht "key" -nr.)  
 Veuillez indiquer le numero de la pièce (Non "key" no.)



| Key NO. | Parts No.  | Parts name                      | Key NO.  | Parts No.     | Parts name                  |
|---------|------------|---------------------------------|----------|---------------|-----------------------------|
| 1       | 2YT-253-02 | SPOOL TOTAL ASSEMBLY            | 48       | 2M1-040-01    | OSCILLATING SLIDER          |
| 2       | 2E2-016-01 | A26M-040 SCREW                  | 49       | 2W1-058-02    | 030-050 WASHER              |
| 3       | 2C3-039-01 | SPOOL METAL                     | 50       | 2Z1-014-02    | 306-2.5 BALL BEARING        |
| 4       | 2E3-001-01 | ROTOR NUT                       | 51       | 2M5-007-01    | LINE GUIDE PIN              |
| 5       | 2C3-027-01 | ROTOR NUT RETAINER              | 52       | 2C2-034-01    | LINE GUIDE PIN BUSH         |
| 6       | 2R1-097-02 | ROTOR                           | 53       | 2W1-059-01    | 020-049 WASHER              |
| 7       | 2E0-008-02 | BAIL HOLDER SCREW               | 54       | 2E5-029-01    | OSCILLATING SLIDER RETAINER |
| 8       | 2E3-040-02 | SHAFT NUT                       | 55       | 2E2-040-01    | b26M-060 SCREW              |
| 9       | 2E2-018-01 | B30M-080 SCREW                  | 56       | 2W1-004-01    | 029-080 WASHER              |
| 10      | 2R2-041-02 | BAIL ARM                        | 57       | 2H6-001-02    | HANDLE SCREW CAP            |
| 11      | 2C1-034-01 | LINE ROLLER COLLAR              | 58       | 2YB-153-02    | BODY ASSEMBLY               |
| 12      | 2Z1-012-02 | 407-2.5 BALL BEARING            | 59       | 2Z1-009-02    | 711-3 BALL BEARING          |
| 13      | 2R6-020-01 | LINE ROLLER                     | 60       | 2G1-049-01    | DRIVE GEAR                  |
| 14      | 2C2-032-01 | LINE ROLLER BUSH                | 61       | 2W1-019-00    | 071-103 WASHER              |
| 15      | 2YL-112-02 | BAIL ASSEMBLY                   | 62       | 2Z1-039-01    | 713-4 BALL BEARING          |
| 16      | 2E3-019-01 | BAIL HOLDER NUT                 | 63       | 2B2-050-02    | BODY COVER                  |
| 17      | 2P1-032-01 | BAIL ARM PIN                    | 64       | 2E1-031-02    | A26-140 SCREW               |
| 18      | 2R5-117-01 | BAIL TRIP SHAFT                 | 65       | 2YH-177-01    | HANDLE TOTAL ASSEMBLY       |
| 19      | 2Q1-073-01 | BAIL SPRING                     | 66       | 2L2-010-01    | CLICK PAWL                  |
| 20      | 2C2-088-01 | BAIL SPRING GUIDE               | 67       | 2E1-060-01    | A26-060 SCREW               |
| 21      | 2L3-030-01 | CLICK LEAF SPRING               | 68       | 2W1-102-01    | 082-132 WASHER              |
| 22      | 2R4-119-02 | BALL SPRING COVER SPACER        | 69       | 2W5-045-01    | DRAG PLATE                  |
| 23      | 2Q3-056-01 | BAIL TRIP LEVER SPRING          | 70       | 2W5-022-01    | EARED WASHER                |
| 24      | 2R5-105-01 | BAIL TRIP LEVER                 | 71       | 2F3-049-01    | CLICK GEAR                  |
| 25      | 2W5-037-01 | SPACER                          | 72       | 2W2-026-01    | KEY WASHER                  |
| 26      | 2E1-020-01 | B22-055 SCREW                   | 73       | 2W3-021-01    | EARED WASHER                |
| 27      | 2E1-050-01 | A20-060 SCREW                   | 74       | 2W3-015-01    | EARED WASHER                |
| 28      | 2Q2-016-01 | SPRING                          | 75       | 2Q1-045-01    | DRAG SPRING                 |
| 29      | 2F5-213-01 | ROLLER CLUTCH RETAINER          | 76       | 2D2-002-01    | DRAG SCREW                  |
| 30      | 2F2-030-01 | ANTI-REVERSE PAWL               | 77       | 2F3-030-01    | FIGHTING LEVER CLICK GEAR   |
| 31      | 2Z3-001-01 | ROLLER                          | 78       | 2D3-021-01    | LEVER BRAKE                 |
| 32      | 2A3-008-01 | ANTI-REVERSE RATCHET            | 79       | 2E4-014-01    | RETAINER                    |
| 33      | 2F8-080-01 | CAGE                            | 80       | 2YD-032-03    | FIGHTING LEVER ASSEMBLY     |
| 34      | 2F2-037-01 | ANTI-REVERSE PAWL               | 81       | 2E4-006-01    | DRAG WASHER RETAINER        |
| 35      | 2YZ-019-01 | ONE-WAY CLUTCH BEARING ASSEMBLY | 82       | 2L3-020-01    | CLICK LEAF SPRING           |
| 36      | 2A4-054-01 | ONE-WAY CLUTCH INNER TUBE       | 83       | 2D1-033-02    | DRAG KNOB                   |
| 37      | 2E1-063-01 | F26-070 SCREW                   | 84       | 2E2-015-03    | B35M-060 SCREW              |
| 38      | 2F5-212-01 | BEARING RETAINER                | 85       | 2M3-076-01    | MAIN SHAFT                  |
| 39      | 2Z1-019-02 | 612-4 BALL BEARING              | 86       | 2E2-018-02    | B30-080 SCREW               |
| 40      | 2G2-058-01 | PINION GEAR                     | SD2059BH | SPECIAL PARTS |                             |
| 41      | 2A2-052-01 | ANTI-REVERSE CAM                | 65       | 2YH-192-01    | HANDLE TOTAL ASSEMBLY       |
| 42      | 2Q3-102-01 | ANTI-REVERSE SPRING             | SD2559   | SPECIAL PARTS |                             |
| 43      | 2A1-026-02 | ANTI-REVERSE LEVER              | 1        | 2YT-254-02    | SPOOL TOTAL ASSEMBLY        |
| 44      | 2E2-013-03 | B20M-060 SCREW                  | SD2559BH | SPECIAL PARTS |                             |
| 45      | 2C2-087-01 | WORM SHAFT BUSHING              | 1        | 2YT-254-02    | SPOOL TOTAL ASSEMBLY        |
| 46      | 2G3-042-01 | OSCILLATING GEAR                | 65       | 2YH-192-01    | HANDLE TOTAL ASSEMBLY       |
| 47      | 2M4-023-01 | WORM SHAFT                      |          |               |                             |