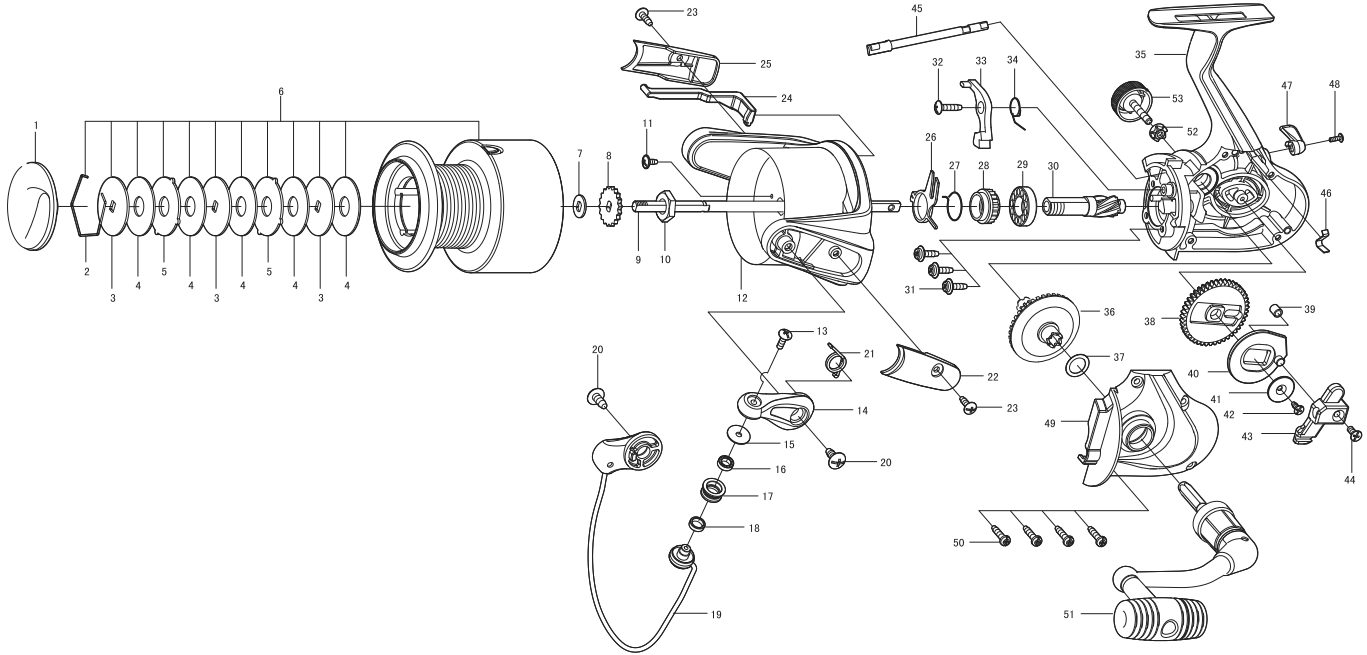


SPINNING REEL

Please order by parts number, not key number
Bitte, Best.-Nr. angeben (Nicht "key" -nr.)
Veuillez indiquer le numero de la pièce (Non "key" no.)

EA6000R/EA8000R



Key No	Parts No.	Parts name	Key No	Parts No.	Parts name
1	2YD-021-01	DRAG KNOB ASSEMBLY	29	2Z1-008-05	1020-5 BALL BEARING
2	2E4-003-01	DRAG WASHER RETAINER	30	2G2-057-01	PINION GEAR
3	2W2-048-01	KEY WASHER	31	2E1-018-01	G30-100 SCREW
4	2W1-175-01	100-300 WASHER	32	2E1-057-01	B30-130 SCREW
5	2W3-027-01	EARED WASHER	33	2A4-062-01	ANTI-REVERSE PAWL
6	2YT-337-01	SOOOL TOTAL ASSEMBLY	34	2Q3-045-01	ANTI-REVERSE PAWL SPRING
7	2W2-011-01	KEY WASHER	35	2YB-173-01	BODY ASSEMBLY
8	2F3-021-01	CLICK GEAR	36	2G1-052-02	DRIVE GEAR
9	2M3-107-01	MAIN SHAFT	37	2W1-014-00	091-130 WASHER
10	2E3-003-01	ROTOR NUT	38	2G3-064-01	OSCILLATING GEAR
11	2E1-019-01	D26-060 SCREW	39	2C1-089-01	COLLAR
12	2R1-114-01	ROTOR	40	2M2-011-01	OSCILLATING CAM
13	2E2-007-01	B30M-100 SCREW	41	2W5-062-01	COVER
14	2R2-048-01	BAIL ARM	42	2E1-063-01	F26-070 SCREW
15	2C1-049-01	LINE ROLLER COLLAR	43	2M1-052-01	OSCILLATING SILDER
16	2C2-003-01	LINE ROLLER BUSH	44	2E2-011-01	F30M-080 SCREW
17	2R6-018-01	LINE ROLLER	45	2A2-082-01	ANTI-REVERSE CAM
18	2C1-068-01	COLLAR	46	2L5-012-01	ANTI-REVERSE CAM SPRING
19	2YL-116-01	BAIL ASSEMBLY	47	2A1-022-08	ANTI-REVERSE LEVER
20	2E1-014-01	B40-100 SCREW	48	2E2-013-02	B20M-060 SCREW
21	2Q3-105-01	BAIL SPRING	49	2YC-104-01	BODY COVER ASSEMBLY
22	2R4-146-01	BAIL SPRING COVER	50	2E1-006-02	A30-130 SCREW
23	2E1-011-01	B30-100 SCREW	51	2YH-250-01	HANDLE ASSEMBLY
24	2R5-125-01	BAIL TRIP LEVER	52	2C3-047-01	HANDLE SCREW SLEEVE
25	2R4-145-01	BAIL TRIP COVER	53	2H6-002-05	HANDLE SCREW CAP
26	2F1-008-02	SPRING HOLDER			
27	2Q3-050-01	ANTI-REVERSE PAWL SPRING	EA8000R	SPECIAL PARTS	
28	2F3-023-01	CLICK GEAR	6	2YT-340-01	SPOOL TOTAL ASSEMBLY