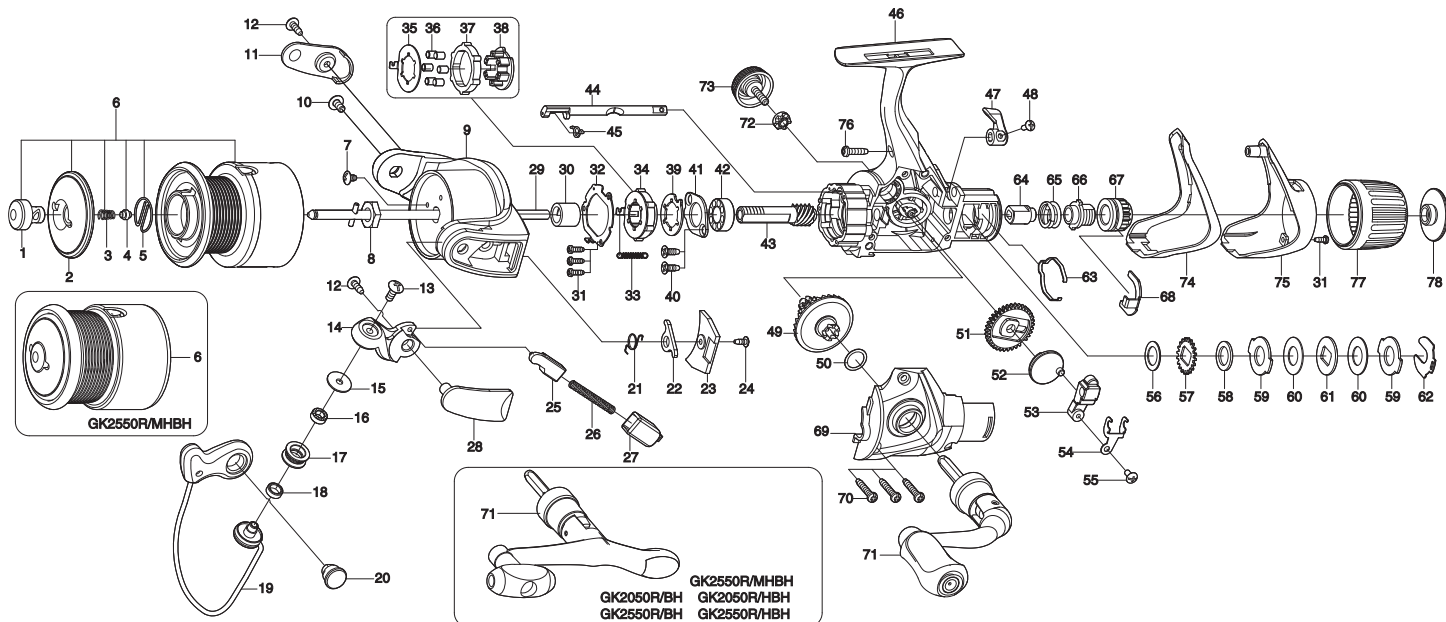




SPINNING REEL

GK2050R / GK2050R/H / GK2050R/BH / GK2050R/HBH / GK2550R
 GK2550R/H / GK2550R/BH / GK2550R/HBH / GK2550R/MHBH

Please order by parts number, not key number
 Bitte, Best.-Nr. angeben (Nicht "key" -nr.)
 Veuillez indiquer le numero de la piece (Non "key" no.)



Key NO.	Parts No.	Parts name	Key NO.	Parts No.	Parts name
1	2S3-003-03	PUSH BUTTON	55	2E2-055-01	B23M-050 SCREW
2	2S2-003-05	SPOOL CAP	56	2W1-025-02	082-126 WASHER
3	2Q1-093-01	BUTTON SPRING	57	2F3-018-01	CLICK GEAR
4	2P4-014-01	BUTTON SHAFT SPACER BAR	58	2W1-025-03	082-126 WASHER
5	2Q3-018-01	PUSH BUTTON RETAINER	59	2W3-007-01	EARED WASHER
6	2YT-267-09	SPOOL TOTAL ASSEMBLY	60	2W1-022-02	082-162 WASHER
7	2E1-036-01	B26-040 SCREW	61	2W2-002-01	KEY WASHER
8	2E3-007-01	ROTOR NUT	62	2E5-038-01	CONTROL NUT RETAINER
9	2R1-107-02	ROTOR	63	2L3-032-01	CONTROL KNOB CLICK LEAF SPRING
10	2E2-004-01	B30M-060 SCREW	64	2F3-017-02	CLUTCH METAL
11	2R4-094-02	BAIL TRIP COVER	65	2Q1-094-01	DRAG SPRING
12	2E1-016-02	B26-080 SCREW	66	2D3-040-01	PRESSURE SCREW
13	2E2-018-01	B30M-080 SCREW	67	2D2-012-01	HIT AND RUN CONTROL NUT
14	2R2-031-01	BAIL ARM	68	2E5-036-01	CONTROL NUT RETAINER
15	2C1-034-01	LINE ROLLER COLLAR	69	2YC-100-01	BODY COVER ASSEMBLY
16	2Z1-012-05	407-2.5 BALL BEARING	70	2E1-031-01	A26-140 SCREW
17	2R6-020-01	LINE ROLLER	71	2YH-237-01	HANDLE ASSEMBLY
18	2C2-032-01	LINE ROLLER BUSH	72	2C3-042-01	HANDLE SCREW SLEEVE
19	2YL-117-01	BAIL ASSEMBLY	73	2H6-001-10	HANDLE SCREW CAP
20	2E3-019-01	BAIL HOLDER NUT	74	2F5-285-02	REAR COVER A
21	2Q3-056-01	BAIL TRIP LEVER SPRING	75	2F5-286-02	REAR COVER B
22	2R5-105-01	BAIL TRIP LEVER	76	2E1-055-01	A26-100 SCREW
23	2F5-279-02	ROTOR COVER	77	2D1-058-02	DRAG KNOB
24	2E1-020-02	B22-055 SCREW	78	2E0-034-02	HIT AND RUN CONTROL KNOB SCREW
25	2R5-090-01	BAIL TRIP SHAFT	GK2050R/H	SPECIAL PARTS	
26	2Q1-023-01	BAIL SPRING	6	2YT-267-10	SPOOL TOTAL ASSEMBLY
27	2C2-069-01	BAIL SPRING GUIDE	43	2G2-108-01	PINION GEAR
28	2R4-095-02	BALL SPRING COVER	49	2G1-093-02	DRIVE GEAR
29	2YM-064-01	MAIN SHAFT ASSEMBLY	GK2050R/BH	SPECIAL PARTS	
30	2A4-021-01	ONE-WAY CLUTCH INNER TUBE	71	2YH-239-01	HANDLE ASSEMBLY
31	2E1-050-01	A20-060 SCREW	GT2050R/HBH	SPECIAL PARTS	
32	2F5-213-01	ROLLER CLUTCH RETAINER	6	2YT-267-10	SPOOL TOTAL ASSEMBLY
33	2Q2-016-01	SPRING	43	2G2-108-01	PINION GEAR
34	2YZ-019-01	ONE-WAY CLUTCH BEARING ASSEMBLY	49	2G1-093-02	DRIVE GEAR
35	2F2-030-01	ANTI-REVERSE PAWL	71	2YH-239-01	HANDLE ASSEMBLY
36	2Z3-001-01	ROLLER	GT2550R	SPECIAL PARTS	
37	2A3-008-01	ANTI-REVERSE RATCHET	6	2YT-268-09	SPOOL TOTAL ASSEMBLY
38	2F8-080-01	CAGE	GK2550R/H	SPECIAL PARTS	
39	2F2-037-01	ANTI-REVERSE PAWL	6	2YT-268-10	SPOOL TOTAL ASSEMBLY
40	2E1-063-01	F26-070 SCREW	43	2G2-108-01	PINION GEAR
41	2F5-212-01	BEARING RETAINER	49	2G1-093-02	DRIVE GEAR
42	2Z1-003-05	714-5 BALL BEARING	GK2550R/BH	SPECIAL PARTS	
43	2G2-093-01	PINION GEAR	6	2YT-268-09	SPOOL TOTAL ASSEMBLY
44	2A2-077-02	ANTI-REVERSE CAM	71	2YH-239-01	HANDLE ASSEMBLY
45	2Q3-009-01	ANTI-REVERSE SPRING	GK2550R/HBH	SPECIAL PARTS	
46	2YB-166-01	BODY ASSEMBLY	6	2YT-268-10	SPOOL TOTAL ASSEMBLY
47	2A1-032-01	ANTI-REVERSE LEVER	43	2G2-108-01	PINION GEAR
48	2E2-013-02	B20M-060 SCREW	49	2G1-093-02	DRIVE GEAR
49	2G1-092-02	DRIVE GEAR	71	2YH-239-01	HANDLE ASSEMBLY
50	2W1-035-00	080-105 WASHER	GK2550R/MHBH	SPECIAL PARTS	
51	2G3-060-01	OSCILLATING GEAR	6	2YT-338-05	SPOOL TOTAL ASSEMBLY
52	2M2-010-01	OSCILLATING CAM	43	2G2-108-01	PINION GEAR
53	2M1-049-01	OSCILLATING SLIDER	49	2G1-093-02	DRIVE GEAR
54	2E5-043-01	OSCILLATING SLIDER RETAINER	71	2YH-239-01	HANDLE ASSEMBLY