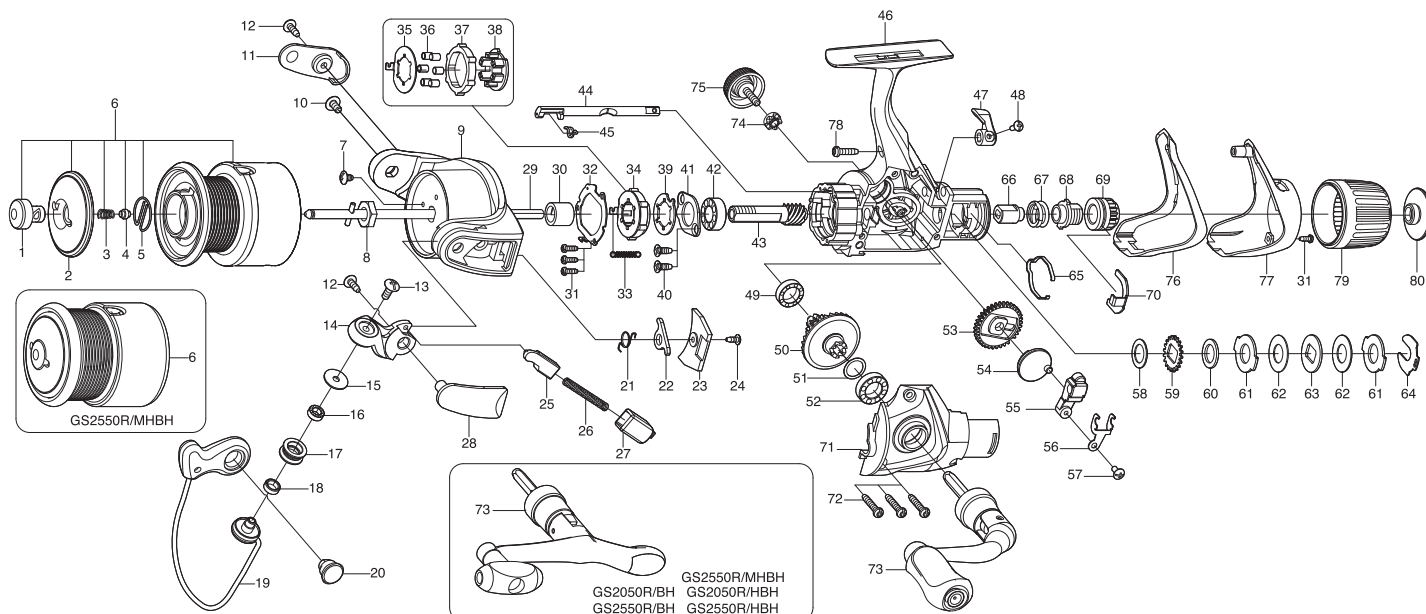




WARRANTY QUALITY

# SPINNING REEL

GS2050R / GS2050R/H / GS2050R/BH / GS2050R/HBH / GS2550R  
GS2550R/H / GS2550R/BH / GS2550R/HBH / GS2550MHBH



| Key NO. | Parts No.  | Parts name                      | Key NO.             | Parts No.            | Parts name                     |
|---------|------------|---------------------------------|---------------------|----------------------|--------------------------------|
| 1       | 2S3-003-03 | PUSH BUTTON                     | 56                  | 2E5-043-01           | OSCILLATING SLIDER RETAINER    |
| 2       | 2S2-003-05 | SPOOL CAP                       | 57                  | 2E2-055-01           | B23M-050 SCREW                 |
| 3       | 2Q1-093-01 | BUTTON SPRING                   | 58                  | 2W1-025-02           | O82-126 WASHER                 |
| 4       | 2P4-014-01 | BUTTON SHAFT SPACER BAR         | 59                  | 2F3-018-01           | CLICK GEAR                     |
| 5       | 2Q3-018-01 | PUSH BUTTON RETAINER            | 60                  | 2W1-025-03           | O82-126 WASHER                 |
| 6       | 2YT-267-11 | SPOOL TOTAL ASSEMBLY            | 61                  | 2W3-007-01           | EARED WASHER                   |
| 7       | 2E1-036-01 | B26-040 SCREW                   | 62                  | 2W1-022-02           | O82-162 WASHER                 |
| 8       | 2E3-007-01 | ROTOR NUT                       | 63                  | 2W2-002-01           | KEY WASHER                     |
| 9       | 2R1-107-03 | ROTOR                           | 64                  | 2E5-038-01           | CONTROL NUT RETAINER           |
| 10      | 2E2-004-01 | B30M-060 SCREW                  | 65                  | 2L3-032-01           | CONTROL KNOB CLICK LEAF SPRING |
| 11      | 2R4-094-03 | BAIL TRIP COVER                 | 66                  | 2F3-017-02           | CLUTCH METAL                   |
| 12      | 2E1-016-02 | B26-080 SCREW                   | 67                  | 2Q1-094-01           | DRAG SPRING                    |
| 13      | 2E2-018-01 | B30M-080 SCREW                  | 68                  | 2D3-040-01           | PRESSURE SCREW                 |
| 14      | 2R2-031-01 | BAIL ARM                        | 69                  | 2D2-012-01           | HIT AND RUN CONTROL NUT        |
| 15      | 2C1-034-01 | LINE ROLLER COLLAR              | 70                  | 2E5-036-01           | CONTROL NUT RETAINER           |
| 16      | 2Z1-012-05 | 407-2.5 BALL BEARING            | 71                  | 2YC-099-02           | BODY COVER ASSEMBLY            |
| 17      | 2R6-020-01 | LINE ROLLER                     | 72                  | 2E1-031-01           | A26-140 SCREW                  |
| 18      | 2C2-032-01 | LINE ROLLER BUSH                | 73                  | 2YH-237-02           | HANDLE ASSEMBLY                |
| 19      | 2YL-117-01 | BAIL ASSEMBLY                   | 74                  | 2C3-042-01           | HANDLE SCREW SLEEVE            |
| 20      | 2E3-019-01 | BAIL HOLDER NUT                 | 75                  | 2H6-001-10           | HANDLE SCREW CAP               |
| 21      | 2Q3-056-01 | BAIL TRIP LEVER SPRING          | 76                  | 2F5-285-03           | REAR COVER A                   |
| 22      | 2R5-105-01 | BAIL TRIP LEVER                 | 77                  | 2F5-286-02           | REAR COVER B                   |
| 23      | 2F5-279-03 | ROTOR COVER                     | 78                  | 2E1-055-01           | A26-100 SCREW                  |
| 24      | 2E1-020-02 | B22-055 SCREW                   | 79                  | 2D1-058-03           | DRAG KNOB                      |
| 25      | 2R5-090-01 | BAIL TRIP SHAFT                 | 80                  | 2E0-034-02           | HIT AND RUN CONTROL KNOB SCREW |
| 26      | 2Q1-023-01 | BAIL SPRING                     |                     |                      |                                |
| 27      | 2C2-069-01 | BAIL SPRING GUIDE               | <b>GS2050R/H</b>    | <b>SPECIAL PARTS</b> |                                |
| 28      | 2R4-095-03 | BAIL SPRING COVER               | 6                   | 2YT-267-12           | SPOOL TOTAL ASSEMBLY           |
| 29      | 2YM-064-01 | MAIN SHAFT ASSEMBLY             | 43                  | 2G2-108-01           | PINION GEAR                    |
| 30      | 2A4-021-01 | ONE-WAY CLUTCH INNER TUBE       | 50                  | 2G1-093-02           | DRIVE GEAR                     |
| 31      | 2E1-050-01 | A20-060 SCREW                   | <b>GS2050R/BH</b>   | <b>SPECIAL PARTS</b> |                                |
| 32      | 2F5-213-01 | ROLLER CLUTCH RETAINER          | 73                  | 2YH-239-02           | HANDLE ASSEMBLY                |
| 33      | 2Q2-016-01 | SPRING                          | <b>GS2050R/HBH</b>  | <b>SPECIAL PARTS</b> |                                |
| 34      | 2YZ-019-01 | ONE-WAY CLUTCH BEARING ASSEMBLY | 6                   | 2YT-267-12           | SPOOL TOTAL ASSEMBLY           |
| 35      | 2F2-030-01 | ANTI-REVERSE PAWL               | 43                  | 2G2-108-01           | PINION GEAR                    |
| 36      | 2Z3-001-01 | ROLLER                          | 50                  | 2G1-093-02           | DRIVE GEAR                     |
| 37      | 2A3-008-01 | ANTI-REVERSE RATCHET            | 73                  | 2YH-239-02           | HANDLE ASSEMBLY                |
| 38      | 2F8-080-01 | CAGE                            | <b>GS2550R</b>      | <b>SPECIAL PARTS</b> |                                |
| 39      | 2F2-037-01 | ANTI-REVERSE PAWL               | 6                   | 2YT-268-11           | SPOOL TOTAL ASSEMBLY           |
| 40      | 2E1-063-01 | F26-070 SCREW                   | <b>GS2550R/H</b>    | <b>SPECIAL PARTS</b> |                                |
| 41      | 2F5-212-01 | BEARING RETAINER                | 6                   | 2YT-268-12           | SPOOL TOTAL ASSEMBLY           |
| 42      | 2Z1-003-05 | 714-5 BALL BEARING              | 43                  | 2G2-108-01           | PINION GEAR                    |
| 43      | 2G2-093-01 | PINION GEAR                     | 50                  | 2G1-093-02           | DRIVE GEAR                     |
| 44      | 2A2-077-02 | ANTI-REVERSE CAM                | <b>GS2550R/BH</b>   | <b>SPECIAL PARTS</b> |                                |
| 45      | 2Q3-009-01 | ANTI-REVERSE SPRING             | 6                   | 2YT-268-11           | SPOOL TOTAL ASSEMBLY           |
| 46      | 2B1-118-03 | BODY                            | 73                  | 2YH-239-02           | HANDLE ASSEMBLY                |
| 47      | 2A1-032-01 | ANTI-REVERSE LEVER              | <b>GS2550R/HBH</b>  | <b>SPECIAL PARTS</b> |                                |
| 48      | 2E2-013-02 | B20M-060 SCREW                  | 6                   | 2YT-268-12           | SPOOL TOTAL ASSEMBLY           |
| 49      | 2Z1-009-05 | 711-3 BALL BEARING              | 43                  | 2G2-108-01           | PINION GEAR                    |
| 50      | 2G1-092-02 | DRIVE GEAR                      | 50                  | 2G1-093-02           | DRIVE GEAR                     |
| 51      | 2W1-035-00 | O80-105 WASHER                  | 73                  | 2YH-239-02           | HANDLE ASSEMBLY                |
| 52      | 2Z1-010-05 | 812-3.5 BALL BEARING            | <b>GS2550R/MHBH</b> | <b>SPECIAL PARTS</b> |                                |
| 53      | 2G3-060-01 | OSCILLATING GEAR                | 6                   | 2YT-338-06           | SPOOL TOTAL ASSEMBLY           |
| 54      | 2M2-010-01 | OSCILLATING CAM                 | 43                  | 2G2-108-01           | PINION GEAR                    |
| 55      | 2M1-049-01 | OSCILLATING SLIDER              | 50                  | 2G1-093-02           | DRIVE GEAR                     |
|         |            |                                 | 73                  | 2YH-239-02           | HANDLE ASSEMBLY                |