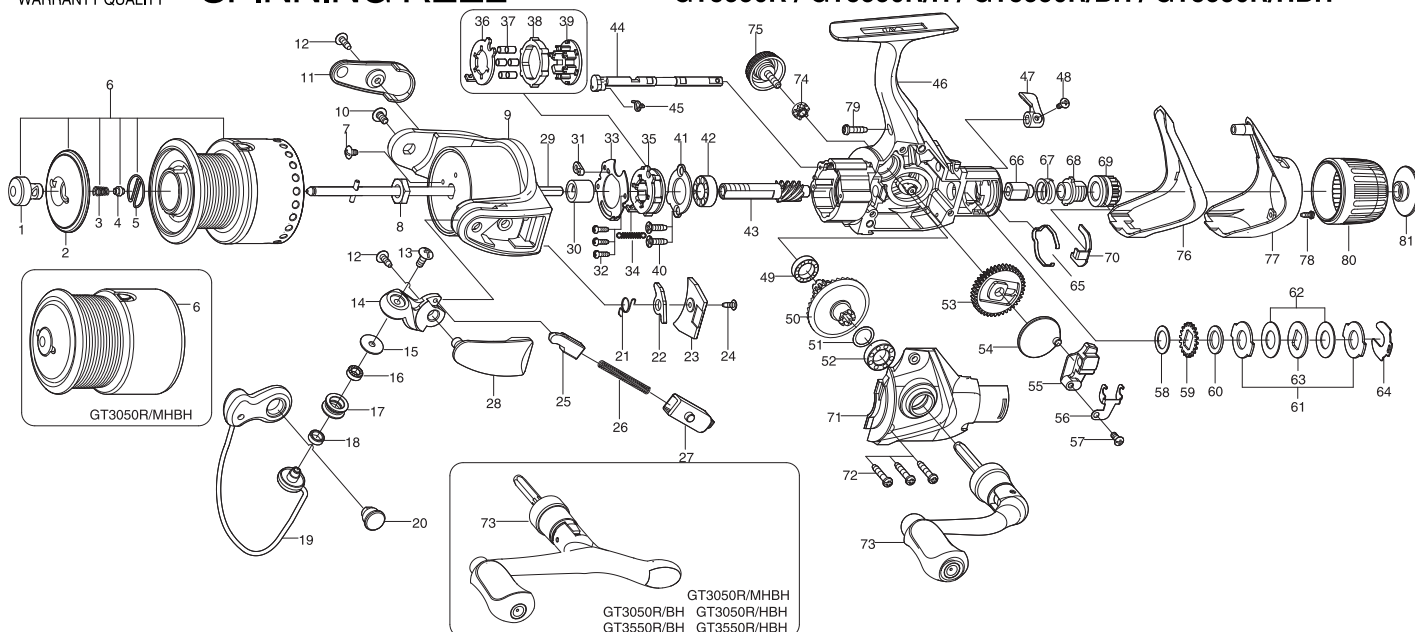




# SPINNING REEL

GT3050R / GT3050R/H / GT3050R/BH / GT3050R/HBH / GT3050R/MHBH  
 GT3550R / GT3550R/H / GT3550R/BH / GT3550R/HBH

Please order by parts number, not key number  
 Bitte, Best.-Nr. angeben (Nicht "key" -nr.)  
 Veuillez indiquer le numero de la pièce (Non "key" no.)



Key NO.	Parts No.	Parts name	Key NO.	Parts No.	Parts name
1	2S3-003-03	PUSH BUTTON	59	2F3-018-01	CLICK GEAR
2	2S2-003-05	SPOOL CAP	60	2W1-025-03	082-126 WASHER
3	2Q1-093-01	BUTTON SPRING	61	2W3-007-01	EARED WASHER
4	2P4-014-01	BUTTON SHAFT SPACER BAR	62	2W1-022-02	082-162 WASHER
5	2Q3-018-01	PUSH BUTTON RETAINER	63	2W2-002-01	KEY WASHER
6	2YT-309-07	SPOOL TOTAL ASSEMBLY	64	2E5-038-01	CONTROL NUT RETAINER
7	2E1-036-01	B26-040 SCREW	65	2L3-032-01	CONTROL KNOB CLICK LEAF SPRING
8	2E3-007-01	ROTOR NUT	66	2F3-017-02	CLUTCH METAL
9	2R1-113-01	ROTOR	67	2Q1-094-01	DRAG SPRING
10	2E2-004-01	B30M-060 SCREW	68	2D3-040-01	PRESSURE SCREW
11	2R4-144-01	BAIL TRIP COVER	69	2D2-012-01	HIT AND RUN CONTROL NUT
12	2E1-016-02	B26-080 SCREW	70	2E5-036-01	CONTROL NUT RETAINER
13	2E2-018-01	B30M-080 SCREW	71	2YC-101-01	BODY COVER ASSEMBLY
14	2R2-031-01	BAIL ARM	72	2E1-005-02	A26-120 SCREW
15	2C1-034-01	LINE ROLLER COLLAR	73	2YH-240-02	HANDLE TOTAL ASSEMBLY
16	2Z1-012-05	407-2.5 BALL BEARING	74	2C3-042-01	HANDLE SCREW SLEEVE
17	2R6-020-01	LINE ROLLER	75	2H6-001-12	HANDLE SCREW CAP
18	2C2-032-01	LINE ROLLER BUSH	76	2F5-287-01	REAR COVER A
19	2YL-132-01	BAIL ASSEMBLY	77	2F5-288-01	REAR COVER B
20	2E3-019-01	BAIL HOLDER NUT	78	2E1-050-01	A20-060 SCREW
21	2Q3-056-01	BAIL TRIP LEVER SPRING	79	2E1-055-01	A26-100 SCREW
22	2R5-089-01	BAIL TRIP LEVER	80	2D1-058-01	DRAG KNOB
23	2F5-290-01	ROTOR COVER	81	2E0-034-02	HIT AND RUN CONTROL KNOB SCREW
24	2E1-020-02	B22-055 SCREW			
25	2R5-120-01	BAIL TRIP SHAFT	GT3050R/H	SPECIAL PARTS	
26	2Q1-079-01	BAIL SPRING	6	2YT-309-08	SPOOL TOTAL ASSEMBLY
27	2C2-104-01	BAIL SPRING GUIDE	43	2G2-109-01	PINION GEAR
28	2R4-143-01	BAIL SPRING COVER	50	2G1-061-02	DRIVE GEAR
29	2YM-065-01	MAIN SHAFT ASSEMBLY	GT3050R/BH	SPECIAL PARTS	
30	2A4-021-01	ONE-WAY CLUTCH INNER TUBE	73	2YH-242-01	HANDLE ASSEMBLY
31	2F8-079-01	ANTI-REVERSE SPRING ANCHOR	75	2H6-001-10	HANDLE SCREW CAP
32	2E1-050-01	A20-060 SCREW	GT3050R/HBH	SPECIAL PARTS	
33	2F5-192-01	ROLLER CLUTCH RETAINER	6	2YT-309-08	SPOOL TOTAL ASSEMBLY
34	2Q2-016-01	SPRING	43	2G2-109-01	PINION GEAR
35	2YZ-014-01	ONE-WAY CLUTCH BEARING ASSEMBLY	50	2G1-061-02	DRIVE GEAR
36	2F2-028-01	ANTI-REVERSE PAWL	73	2YH-242-01	HANDLE ASSEMBLY
37	2Z3-001-01	ROLLER	75	2H6-001-10	HANDLE SCREW CAP
38	2A3-008-01	ANTI-REVERSE RATCHET	GT3050R/MHBH	SPECIAL PARTS	
39	2F8-078-01	CAGE	6	2YT-339-04	SPOOL TOTAL ASSEMBLY
40	2E1-067-01	F26-090 SCREW	43	2G2-109-01	PINION GEAR
41	2F5-193-01	BEARING RETAINER	50	2G1-061-02	DRIVE GEAR
42	2Z1-003-05	714-5 BALL BEARING	73	2YH-242-01	HANDLE ASSEMBLY
43	2G2-101-01	PINION GEAR	75	2H6-001-10	HANDLE SCREW CAP
44	2A2-078-02	ANTI-REVERSE CAM	GT3550R	SPECIAL PARTS	
45	2Q3-009-01	ANTI-REVERSE SPRING	6	2YT-310-07	SPOOL TOTAL ASSEMBLY
46	2B1-119-01	BODY	GT3550R/H	SPECIAL PARTS	
47	2A1-032-01	ANTI-REVERSE LEVER	6	2YT-310-08	SPOOL TOTAL ASSEMBLY
48	2E2-013-02	B20M-060 SCREW	43	2G2-109-01	PINION GEAR
49	2Z1-009-05	711-3 BALL BEARING	50	2G1-061-02	DRIVE GEAR
50	2G1-048-02	DRIVE GEAR	GT3550R/BH	SPECIAL PARTS	
51	2W1-035-00	080-105 WASHER	6	2YT-310-07	SPOOL TOTAL ASSEMBLY
52	2Z1-010-05	812-3.5 BALL BEARING	73	2YH-242-01	HANDLE ASSEMBLY
53	2G3-046-01	OSCILLATING GEAR	75	2H6-001-10	HANDLE SCREW CAP
54	2M2-009-01	OSCILLATING CAM	GT3550R/HBH	SPECIAL PARTS	
55	2M1-050-01	OSCILLATING SLIDER	6	2YT-310-08	SPOOL TOTAL ASSEMBLY
56	2E5-044-01	OSCILLATING SLIDER RETAINER	43	2G2-109-01	PINION GEAR
57	2E2-040-01	b26M-060 SCREW	50	2G1-061-02	DRIVE GEAR
58	2W1-025-02	082-126 WASHER	73	2YH-242-01	HANDLE ASSEMBLY
			75	2H6-001-10	HANDLE SCREW CAP