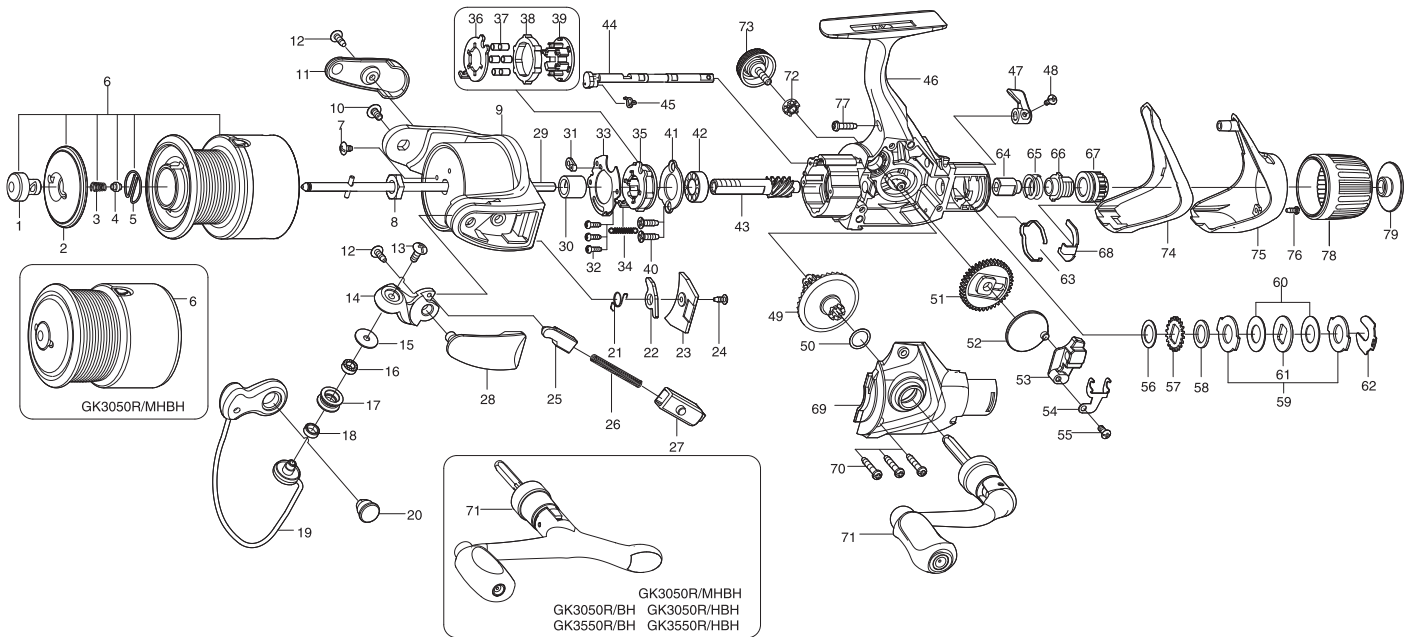




SPINNING REEL

GK3050R / GK3050R/H / GK3050R/BH / GK3050R/HBH / GK3050R/MHBH
GK3550R / GK3550R/H / GK3550R/BH / GK3550R/HBH

Please order by parts number, not key number
 Bitte, Best.-Nr. angeben (Nicht "key" -nr.)
 Veuillez indiquer le numero de la piece (Non "key" nr.)



Key NO.	Parts No.	Parts name	Key NO.	Parts No.	Parts name
1	2S3-003-03	PUSH BUTTON	56	2W1-025-02	082-126 WASHER
2	2S2-003-05	SPOOL CAP	57	2F3-018-01	CLICK GEAR
3	2Q1-093-01	BUTTON SPRING	58	2W1-025-03	082-126 WASHER
4	2P4-014-01	BUTTON SHAFT SPACER BAR	59	2W3-007-01	EARED WASHER
5	2Q3-018-01	PUSH BUTTON RETAINER	60	2W1-022-02	082-162 WASHER
6	2YT-309-09	SPOOL TOTAL ASSEMBLY	61	2W2-002-01	KEY WASHER
7	2E1-036-01	B26-040 SCREW	62	2E5-038-01	CONTROL NUT RETAINER
8	2E3-007-01	ROTOR NUT	63	2L3-032-01	CONTROL KNOB CLICK LEAF SPRING
9	2R1-113-02	ROTOR	64	2F3-017-02	CLUTCH METAL
10	2E2-004-01	B30M-060 SCREW	65	2Q1-094-01	DRAG SPRING
11	2R4-144-02	BAIL TRIP COVER	66	2D3-040-01	PRESSURE SCREW
12	2E1-016-02	B26-080 SCREW	67	2D2-012-01	HIT AND RUN CONTROL NUT
13	2E2-018-01	B30M-080 SCREW	68	2E5-036-01	CONTROL NUT RETAINER
14	2R2-031-01	BAIL ARM	69	2YC-102-01	BODY COVER ASSEMBLY
15	2C1-034-01	LINE ROLLER COLLAR	70	2E1-005-02	A26-120 SCREW
16	2Z1-012-05	407-2.5 BALL BEARING	71	2YH-241-01	HANDLE TOTAL ASSEMBLY
17	2R6-020-01	LINE ROLLER	72	2C3-042-01	HANDLE SCREW SLEEVE
18	2C2-032-01	LINE ROLLER BUSH	73	2H6-001-10	HANDLE SCREW CAP
19	2YL-132-01	BAIL ASSEMBLY	74	2F5-287-02	REAR COVER A
20	2E3-019-01	BAIL HOLDER NUT	75	2F5-288-02	REAR COVER B
21	2Q3-056-01	BAIL TRIP LEVER SPRING	76	2E1-050-01	A20-060 SCREW
22	2R5-089-01	BAIL TRIP LEVER	77	2E1-055-01	A26-100 SCREW
23	2F5-290-02	ROTOR COVER	78	2D1-058-02	DRAG KNOB
24	2E1-020-02	B22-055 SCREW	79	2E0-034-02	HIT AND RUN CONTROL KNOB SCREW
25	2R5-120-01	BAIL TRIP SHAFT	GK3050R/H	SPECIAL PARTS	
26	2Q1-079-01	BAIL SPRING	6	2YT-309-10	SPOOL TOTAL ASSEMBLY
27	2C2-104-01	BAIL SPRING GUIDE	43	2G2-109-01	PINION GEAR
28	2R4-143-02	BAIL SPRING COVER	49	2G1-061-02	DRIVE GEAR
29	2YM-065-01	MAIN SHAFT ASSEMBLY	GK3050R/BH	SPECIAL PARTS	
30	2A4-021-01	ONE-WAY CLUTCH INNER TUBE	71	2YH-243-01	HANDLE TOTAL ASSEMBLY
31	2F8-079-01	ANTI-REVERSE SPRING ANCHOR	GT3050R/HBH	SPECIAL PARTS	
32	2E1-050-01	A20-060 SCREW	6	2YT-309-10	SPOOL TOTAL ASSEMBLY
33	2F5-192-01	ROLLER CLUTCH RETAINER	43	2G2-109-01	PINION GEAR
34	2Q2-016-01	SPRING	49	2G1-061-02	DRIVE GEAR
35	2YZ-014-01	ONE-WAY CLUTCH BEARING ASSEMBLY	71	2YH-243-01	HANDLE TOTAL ASSEMBLY
36	2F2-028-01	ANTI-REVERSE PAWL	GK3050R/MHBH	SPECIAL PARTS	
37	2Z3-001-01	ROLLER	6	2YT-339-05	SPOOL TOTAL ASSEMBLY
38	2A3-008-01	ANTI-REVERSE RATCHET	43	2G2-109-01	PINION GEAR
39	2F8-078-01	CAGE	49	2G1-061-02	DRIVE GEAR
40	2E1-067-01	F26-090 SCREW	71	2YH-243-01	HANDLE TOTAL ASSEMBLY
41	2F5-193-01	BEARING RETAINER	GT3550R	SPECIAL PARTS	
42	2Z1-003-05	714-5 BALL BEARING	6	2YT-310-09	SPOOL TOTAL ASSEMBLY
43	2G2-101-01	PINION GEAR	GK3550R/H	SPECIAL PARTS	
44	2A2-078-02	ANTI-REVERSE CAM	6	2YT-310-10	SPOOL TOTAL ASSEMBLY
45	2Q3-009-01	ANTI-REVERSE SPRING	43	2G2-109-01	PINION GEAR
46	2YB-167-01	BODY ASSEMBLY	49	2G1-061-02	DRIVE GEAR
47	2A1-032-01	ANTI-REVERSE LEVER	GK3550R/BH	SPECIAL PARTS	
48	2E2-013-02	B20M-060 SCREW	6	2YT-310-09	SPOOL TOTAL ASSEMBLY
49	2G1-048-02	DRIVE GEAR	71	2YH-243-01	HANDLE TOTAL ASSEMBLY
50	2W1-035-00	080-105 WASHER	GK3550R/HBH	SPECIAL PARTS	
51	2G3-046-01	OSCILLATING GEAR	6	2YT-310-10	SPOOL TOTAL ASSEMBLY
52	2M2-009-01	OSCILLATING CAM	43	2G2-109-01	PINION GEAR
53	2M1-050-01	OSCILLATING SILDER	49	2G1-061-02	DRIVE GEAR
54	2E5-044-01	OSCILLATING SLIDER RETAINER	71	2YH-243-01	HANDLE TOTAL ASSEMBLY
55	2E2-040-01	b26M-060 SCREW			