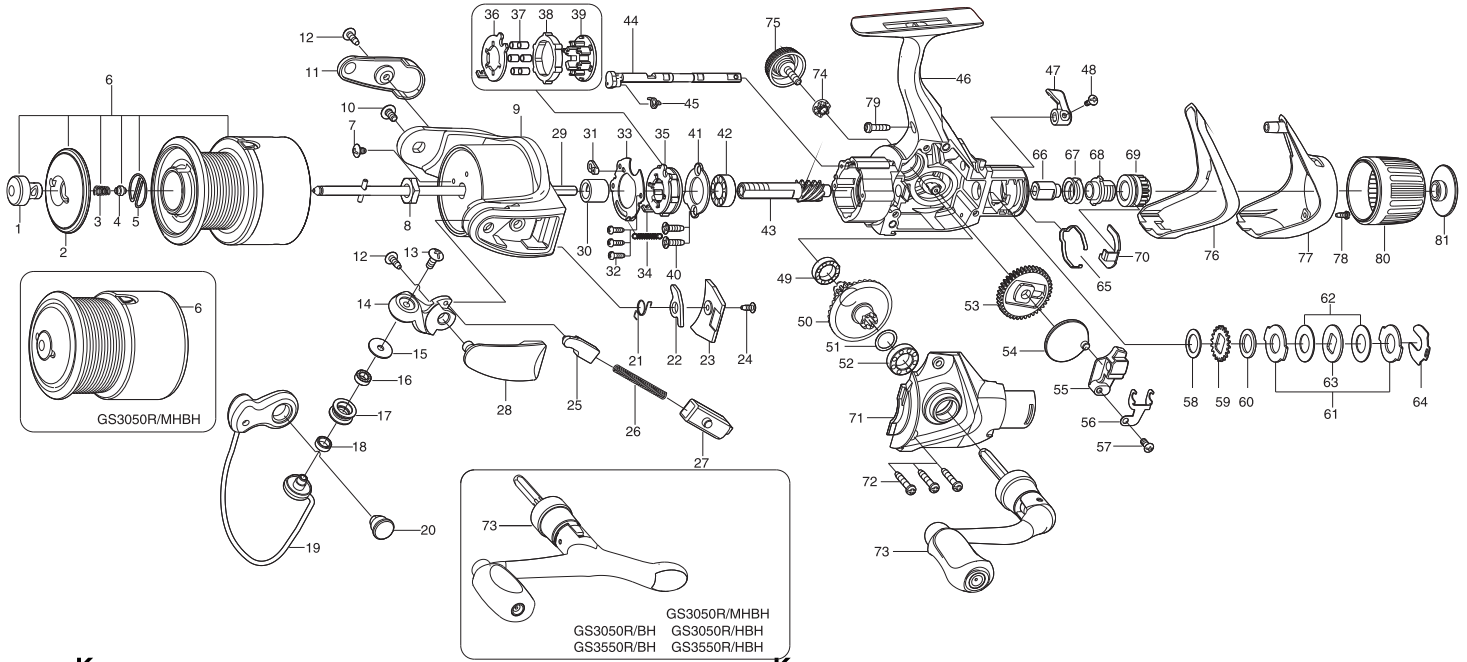




SPINNING REEL

GS3050R / GS3050R/H / GS3050R/BH / GS3050R/HBH / GS3050R/MHBH
 GS3550R / GS3550R/H / GS3550R/BH / GS3550R/HBH

Please order by parts number, not key number
 Bitte, Best.-Nr. angeben (Nicht "key" -nr.)
 Veuillez indiquer le numero de la pièce (Non "key" no.)



Key NO.	Parts No.	Parts name	Key NO.	Parts No.	Parts name
1	2S3-003-01	PUSH BUTTON	57	2E2-040-01	b26M-060 SCREW
2	2S2-003-05	SPOOL CAP	58	2W1-025-02	082-126 WASHER
3	2Q1-093-01	BUTTON SPRING	59	2F3-018-01	CLICK GEAR
4	2P4-014-01	BUTTON SHAFT SPACER BAR	60	2W1-025-03	082-126 WASHER
5	2Q3-018-01	PUSH BUTTON RETAINER	61	2W3-007-01	EARED WASHER
6	2YT-309-03	SPOOL TOTAL ASSEMBLY	62	2W1-022-02	082-162 WASHER
7	2E1-036-01	B26-040 SCREW	63	2W2-002-01	KEY WASHER
8	2E3-007-01	ROTOR NUT	64	2E5-038-01	CONTROL NUT RETAINER
9	2R1-113-03	ROTOR	65	2L3-032-01	CONTROL KNOB CLICK LEAF SPRING
10	2E2-004-01	B30M-060 SCREW	66	2F3-017-02	CLUTCH METAL
11	2R4-144-03	BAIL TRIP COVER	67	2Q1-094-01	DRAG SPRING
12	2E1-016-02	B26-080 SCREW	68	2D3-040-01	PRESSURE SCREW
13	2E2-018-01	B30M-080 SCREW	69	2D2-012-01	HIT AND RUN CONTROL NUT
14	2R2-031-01	BAIL ARM	70	2E5-036-01	CONTROL NUT RETAINER
15	2C1-034-01	LINE ROLLER COLLAR	71	2YC-101-02	BODY COVER ASSEMBLY
16	2Z1-012-02	407-2.5 BALL BEARING	72	2E1-005-02	A26-120 SCREW
17	2R6-020-01	LINE ROLLER	73	2YH-241-02	HANDLE TOTAL ASSEMBLY
18	2C2-032-01	LINE ROLLER BUSH	74	2C3-042-01	HANDLE SCREW SLEEVE
19	2YL-114-01	BAIL ASSEMBLY	75	2H6-001-10	HANDLE SCREW CAP
20	2E3-019-01	BAIL HOLDER NUT	76	2F5-287-03	REAR COVER A
21	2Q3-056-01	BAIL TRIP LEVER SPRING	77	2F5-288-02	REAR COVER B
22	2R5-089-01	BAIL TRIP LEVER	78	2E1-050-01	A20-060 SCREW
23	2F5-290-03	ROTOR COVER	79	2E1-055-01	A26-100 SCREW
24	2E1-020-02	B22-055 SCREW	80	2D1-058-03	DRAG KNOB
25	2R5-120-01	BAIL TRIP SHAFT	81	2E0-034-02	HIT AND RUN CONTROL KNOB SCREW
26	2Q1-079-01	BAIL SPRING	GS3050R/H	SPECIAL PARTS	
27	2C2-104-01	BAIL SPRING GUIDE	6	2YT-309-12	SPOOL TOTAL ASSEMBLY
28	2R4-143-03	BAIL SPRING COVER	43	2G2-109-01	PINION GEAR
29	2YM-065-01	MAIN SHAFT ASSEMBLY	50	2G1-061-02	DRIVE GEAR
30	2A4-021-01	ONE-WAY CLUTCH INNER TUBE	GS3050R/BH	SPECIAL PARTS	
31	2F8-079-01	ANTI-REVERSE SPRING ANCHOR	73	2YH-243-02	HANDLE TOTAL ASSEMBLY
32	2E1-050-01	A20-060 SCREW	GS3050R/HBH	SPECIAL PARTS	
33	2F5-192-01	ROLLER CLUTCH RETAINER	6	2YT-309-12	SPOOL TOTAL ASSEMBLY
34	2Q2-016-01	SPRING	43	2G2-109-01	PINION GEAR
35	2YZ-014-01	ONE-WAY CLUTCH BEARING ASSEMBLY	50	2G1-061-02	DRIVE GEAR
36	2F2-028-01	ANTI-REVERSE PAWL	73	2YH-243-02	HANDLE TOTAL ASSEMBLY
37	2Z3-001-01	ROLLER	GS3050R/MHBH	SPECIAL PARTS	
38	2A3-008-01	ANTI-REVERSE RATCHET	6	2YT-339-06	SPOOL TOTAL ASSEMBLY
39	2F8-078-01	CAGE	43	2G2-109-01	PINION GEAR
40	2E1-067-01	F26-090 SCREW	50	2G1-061-02	DRIVE GEAR
41	2F5-193-01	BEARING RETAINER	73	2YH-243-02	HANDLE TOTAL ASSEMBLY
42	2Z1-003-01	714-5 BALL BEARING	GS3550R	SPECIAL PARTS	
43	2G2-101-01	PINION GEAR	6	2YT-310-11	SPOOL TOTAL ASSEMBLY
44	2A2-078-02	ANTI-REVERSE CAM	GS3550R/H	SPECIAL PARTS	
45	2Q3-009-01	ANTI-REVERSE SPRING	6	2YT-310-12	SPOOL TOTAL ASSEMBLY
46	2B1-119-03	BODY	43	2G2-109-01	PINION GEAR
47	2A1-032-01	ANTI-REVERSE LEVER	50	2G1-061-02	DRIVE GEAR
48	2E2-013-02	B20M-060 SCREW	GS3550R/BH	SPECIAL PARTS	
49	2Z1-009-03	711-3 BALL BEARING	6	2YT-310-11	SPOOL TOTAL ASSEMBLY
50	2G1-048-01	DRIVE GEAR	73	2YH-243-02	HANDLE TOTAL ASSEMBLY
51	2W1-035-00	080-105 WASHER	GS3550R/HBH	SPECIAL PARTS	
52	2Z1-010-02	812-3.5 BALL BEARING	6	2YT-310-12	SPOOL TOTAL ASSEMBLY
53	2G3-046-01	OSCILLATING GEAR	43	2G2-109-01	PINION GEAR
54	2M2-009-01	OSCILLATING CAM	50	2G1-061-02	DRIVE GEAR
55	2M1-050-01	OSCILLATING SILDER	73	2YH-243-02	HANDLE TOTAL ASSEMBLY
56	2E5-044-01	OSCILLATING SLIDER RETAINER			