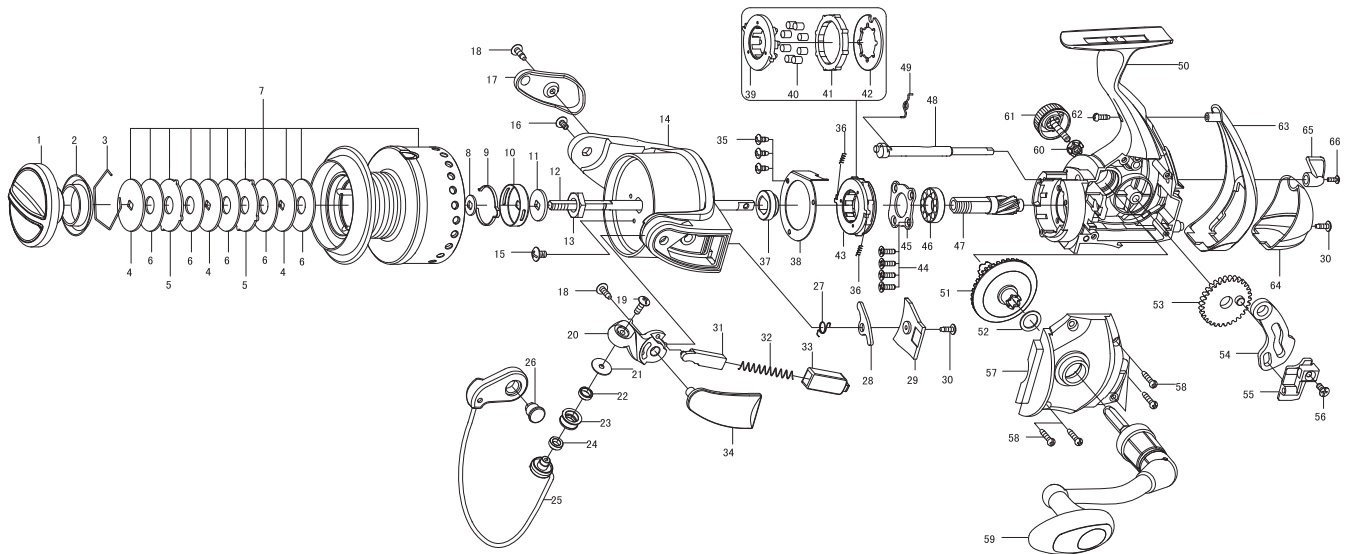


SPINNING REEL

GK6000R / 6000R/H / 7000R / 7000R/H

Please order by parts number, not key number
 Bitte, Best.-Nr. angeben (Nicht "key" -nr.)
 Veuillez indiquer le numero de la pièce (Non "key" no.)



Key NO.	Parts No.	Parts name	Key NO.	Parts No.	Parts name
1	2YD-049-02	DRAG KNOB ASSEMBLY	43	2YZ-015-01	ONE-WAY CLUTCH BEARING ASSEMBLY
2	2E9-015-01	PROOF WATER RING	44	2E1-063-01	F26-070 SCREW
3	2E4-003-01	DRAG WASHER RETAINER	45	2F5-178-01	BEARING RETAINER
4	2W2-048-01	KEY WASHER	46	2Z1-008-05	1020-5 BALL BEARING
5	2W3-027-01	EARED WASHER	47	2G2-057-01	PINION GEAR
6	2W1-175-01	100-300WASHER	48	2A2-066-01	ANTI-REVERSE CAM
7	2YT-176-09	SPOOL TOTAL ASSEMBLY	49	2Q3-072-01	ANTI-REVERSE SPRING
8	2W2-011-01	KEY WASHER	50	2YB-152-01	BODY ASSEMBLY
9	2L3-015-01	CLICK LEAF SPRING	51	2G1-052-02	DRIVE GEAR
10	2F8-019-01	CLICK LEAF SPRING HOLDER	52	2W1-014-01	091-130 WASHER
11	2W2-019-01	KEY WASHER	53	2G3-045-01	OSCILLATING GEAR
12	2M3-068-01	MAIN SHAFT	54	2M2-008-01	OSCILLATING SLIDER CRANK
13	2E3-003-01	ROTOR NUT	55	2M1-041-01	OSCILLATING SLIDER
14	2R1-069-02	ROTOR	56	2E2-056-01	F30M-060 SCREW
15	2E1-019-01	D26-060 SCREW	57	2YC-097-01	BODY COVER ASSEMBLY
16	2E2-004-01	B30M-060 SCREW	58	2E1-006-02	A30-130 SCREW
17	2R4-091-02	BAIL TRIP COVER	59	2YH-249-01	HANDLE TOTAL ASSEMBLY
18	2E1-011-01	B30-100 SCREW	60	2C3-047-01	HANDLE SCREW CLEEVE
19	2E2-007-01	B30M-100 SCREW	61	2H6-002-09	HANDLE SCREW CAP
20	2R2-030-01	BAIL ARM	62	2E1-055-01	A26-100 SCREW
21	2C1-049-01	LINE ROLLER COLLAR	63	2F5-219-02	REAR COVER A
22	2Z1-001-05	508-2.5 BALL BEARING	64	2F5-220-02	REAR COVER B
23	2R6-018-01	LINE ROLLER	65	2A1-025-03	ANTI-REVERSE LEVER
24	2C1-068-01	COLLAR	66	2E2-013-02	B20M-060 SCREW
25	2YL-080-01	BAIL ASSEMBLY			
26	2E3-015-02	BAIL HOLDER NUT	GK7000R	SPECIAL PARTS	
27	2Q3-056-01	BAIL TRIP LEVER SPRING	7	2YT-177-09	SPOOL TOTAL ASSEMBLY
28	2R5-087-01	BAIL TRIP LEVER	14	2R1-072-02	ROTOR
29	2F5-217-02	ROTOR COVER	25	2YL-083-01	BAIL ASSEMBLY
30	2E1-016-02	B26-080 SCREW	28	2R5-092-01	BAIL TRIP LEVER
31	2R5-088-01	BAIL TRIP SHAFT	29	2F5-218-02	ROTOR COVER
32	2Q1-066-01	BAIL SPRING	GK6000R/H	SPECIAL PARTS	
33	2C2-068-01	BAIL SPRING GUIDE	7	2YT-176-10	SPOOL TOTAL ASSEMBLY
34	2R4-092-02	BAIL SPRING COVER	47	2G2-070-01	PINION GEAR
35	2E1-015-02	B26-060 SCREW	51	2G1-053-02	DRIVE GEAR
36	2Q1-071-01	CAGE SPRING	GK7000R/H	SPECIAL PARTS	
37	2A4-019-01	ONE-WAY CLUTCH INNER TUBE	7	2YT-177-10	SPOOL TOTAL ASSEMBLY
38	2F5-196-01	ROLLER CLUTCH RETAINER	14	2R1-072-02	ROTOR
39	2F8-084-01	CAGE	25	2YL-083-01	BAIL ASSEMBLY
40	2Z3-003-01	ROLLER	28	2R5-092-01	BAIL TRIP LEVER
41	2A3-009-01	ANTI-REVERSE RATCHET	29	2F5-218-02	ROTOR COVER
42	2F2-035-01	ANTI-REVERSE PAWL	47	2G2-070-01	PINION GEAR
			51	2G1-053-02	DRIVE GEAR