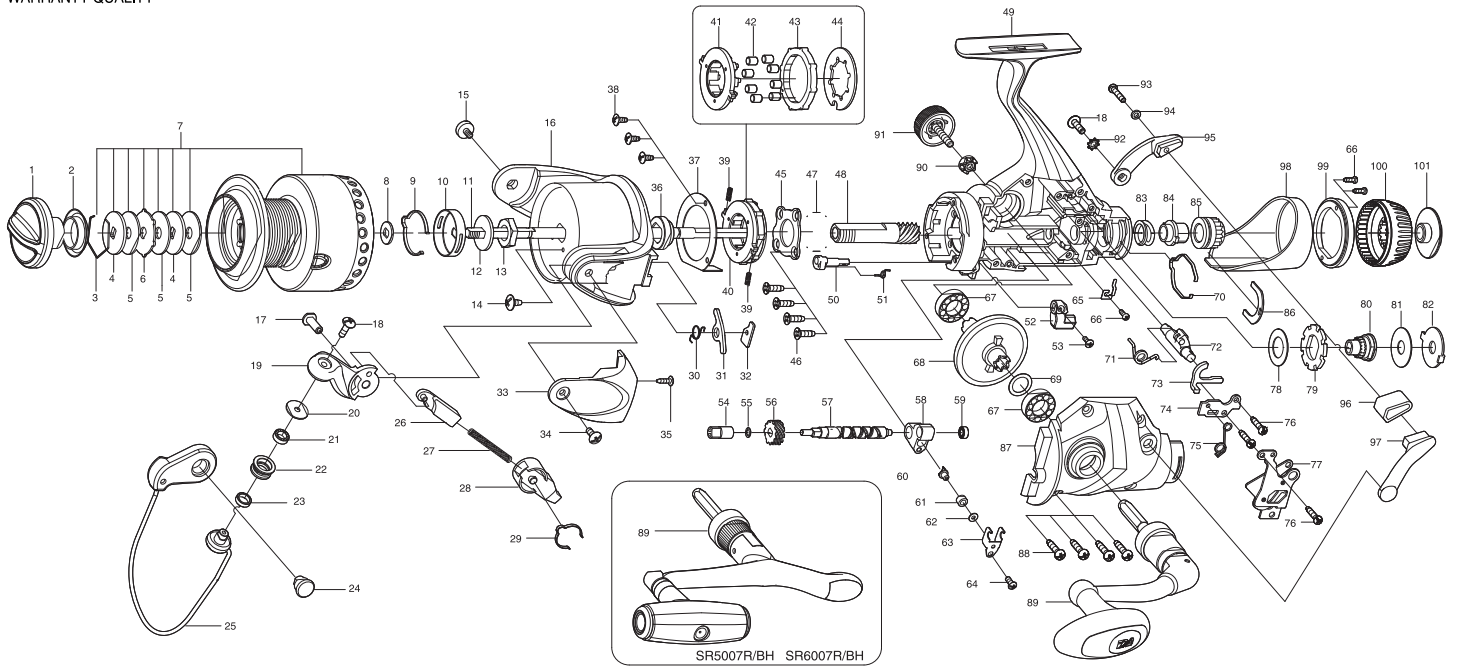


SPINNING REEL SR5007R / SR5007R/BH / SR6007R / SR6007BH



Key NO.

Parts No.

Parts name

Key NO.

Parts No.

Parts name

1	2YD-030-05	DRAG KNOB ASSEMBLY	58	2M1-034-01	OSCILLATING SLIDER
2	2E9-028-01	WATER PROOF RING	59	2Z1-014-05	306-2.5 BALL BEARING
3	2E4-028-01	DRAG WASHER RETAINER	60	2M5-001-01	LINE GUIDE PIN
4	2W2-027-02	KEY WASHER	61	2C2-034-01	LINE GUIDE PIN BUSH
5	2W1-094-01	060-220 WASHER	62	2W1-059-01	020-049 WASHER
6	2W3-013-01	EARED WASHER	63	2E5-037-01	OSCILLATING SLIDER RETAINER
7	2YT-253-03	SPOOL TOTAL ASSEMBLY	64	2E2-040-01	b26M-060 SCREW
8	2W2-011-01	KEY WASHER	65	2L2-014-01	HIT AND RUN CLICK PAWL
9	2L3-015-01	CLICK LEAF SPRING	66	2E1-050-01	A20-060 SCREW
10	2F8-019-01	CLICK LEAF SPRING HOLDER	67	2Z1-035-05	917-5 BALL BEARING
11	2M3-085-01	MAIN SHAFT	68	2G1-070-02	DRIVE GEAR
12	2W2-019-01	KEY WASHER	69	2W1-014-00	091-130 WASHER
13	2E3-003-01	ROTOR NUT	70	2L3-033-01	CLICK LEAF SPRING
14	2E1-019-01	D26-060 SCREW	71	2Q3-078-01	CLUTCH PAWL SPRING
15	2E0-008-01	BAIL HOLDER SCREW	72	2A2-042-01	HIT AND RUN LEVER SHAFT
16	2R1-104-01	ROTOR	73	2F6-026-01	CLUTCH PAWL
17	2E3-051-01	SHAFT NUT	74	2F6-057-01	CLUTCH PAWL RETAINER
18	2E2-007-01	B30M-100 SCREW	75	2Q3-079-01	CLUTCH CAM SPRING
19	2R2-044-01	BAIL ARM	76	2E1-005-02	A26-120 SCREW
20	2C1-049-01	LINE ROLLER COLLAR	77	2YF-090-01	HOLDING PLATE ASSEMBLY
21	2Z1-001-05	508-2.5 BALL BEARING	78	2W1-180-01	112-190 WASHER
22	2R6-018-01	LINE ROLLER	79	2A3-032-01	CLUTCH RATCHET
23	2C1-068-01	COLLAR	80	2F3-054-01	CLICK GEAR
24	2E3-015-02	BAIL HOLDER NUT	81	2W1-121-01	070-204 WASHER
25	2YL-113-01	BAIL ASSEMBLY	82	2W3-019-01	EARED WASHER
26	2R5-124-01	BAIL TRIP SHAFT	83	2Q1-002-01	DRAG SPRING
27	2Q1-077-01	BAIL SPRING	84	2D3-023-01	PRESSURE SCREW
28	2C2-094-01	BAIL SPRING GUIDE	85	2D2-011-01	HIT AND RUN CONTROL NUT
29	2L3-029-01	CLICK LEAF SPRING	86	2E5-047-01	CONTROL NUT RETAINER
30	2Q3-056-01	BAIL TRIP LEVER SPRING	87	2B2-057-01	BODY COVER
31	2R5-113-01	BAIL TRIP LEVER	88	2E1-006-02	A30-130 SCREW
32	2W5-037-01	SPACER	89	2YH-255-01	HANDLE TOTAL ASSEMBLY
33	2R4-127-01	BAIL SPRING COVER	90	2C3-047-01	HANDLE SCREW SLEEVE
34	2E2-018-01	B30M-080 SCREW	91	2H6-002-09	HANDLE SCREW CAP
35	2E1-048-01	B22-080 SCREW	92	2E8-004-01	STARWASHER
36	2A4-034-01	ONE-WAY CLUTCH INNER TUBE	93	2E2-039-01	A26M-120 SCREW
37	2F5-196-01	ROLLER CLUTCH RETAINER	94	2W1-127-01	027-048 WASHER
38	2E1-015-02	B26-060 SCREW	95	2D4-005-01	HIT AND RUN LEVER ARM (L)
39	2Q1-071-01	CAGE SPRING	96	2C3-026-03	LEVER ARM SPACER
40	2YZ-015-01	ONE-WAY CLUTCH BEARING ASSEMBLY	97	2D4-006-01	HIT AND RUN LEVER ARM (R)
41	2F8-084-01	CAGE	98	2F5-243-01	REAR COVER A
42	2Z3-003-01	ROLLER	99	2F5-244-01	REAR COVER B
43	2A3-009-01	ANTI-REVERSE RATCHET	100	2D1-053-01	HIT AND RUN CONTROL KNOB
44	2F2-035-01	ANTI-REVERSE PAWL	101	2E0-016-02	HIT AND RUN CONTROL KNOB SCREW
45	2F5-260-01	BEARING RETAINER	SR5007R/BH	SPECIAL PARTS	
46	2E1-068-01	F30-100 SCREW	89	2YH-257-01	SPOOL TOTAL ASSEMBLY
47	2Z1-008-05	1020-5 BALL BEARING	SR6007R	SPECIAL PARTS	
48	2G2-082-01	PINION GEAR	7	2YT-254-03	SPOOL TOTAL ASSEMBLY
49	2YB-149-01	BODY ASSEMBLY	16	2R1-105-01	ROTOR
50	2A2-071-01	ANTI-REVERSE CAM	25	2YL-114-01	BAIL ASSEMBLY
51	2Q3-009-01	ANTI-REVERSE SPRING	33	2R4-128-01	BAIL SPRING COVER
52	2A1-026-03	ANTI-REVERSE LEVER	SR6007R/BH	SPECIAL PARTS	
53	2E2-013-02	B20M-060 SCREW	7	2YT-254-03	SPOOL TOTAL ASSEMBLY
54	2C2-095-01	WORM SHAFT BUSHING	16	2R1-105-01	ROTOR
55	2W1-058-02	030-050 WASHER	25	2YL-114-01	BAIL ASSEMBLY
56	2G3-061-01	OSCILLATING GEAR	33	2R4-128-01	BAIL SPRING COVER
57	2M4-028-01	WORM SHAFT	89	2YH-257-01	SPOOL TOTAL ASSEMBLY