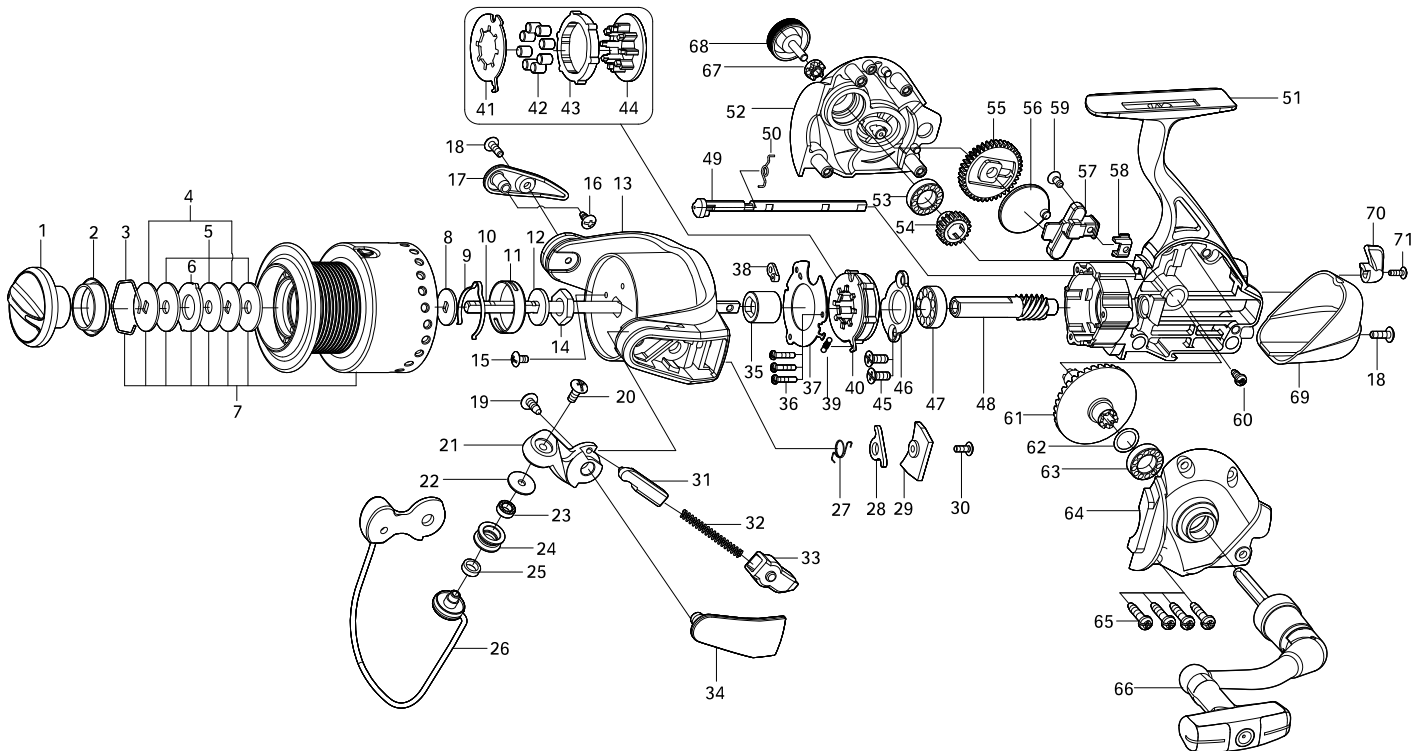




SPINNING REEL

SCRAMBLER

SS3500 / SS4000



Key NO.	Parts No.	Parts name	Key NO.	Parts No.	Parts name
1	2YD-058-05	DRAG KNOB ASSEMBLY	39	2Q2-016-01	SPRING
2	2E9-016-01	PROOF WATER RING	40	2YZ-017-01	ONE-WAY CLUTCH BEARING ASSEMBLY
3	2E4-009-01	DRAG WASHER RETAINER	41	2F2-027-01	ANTI-REVERSE PAWL
4	2W2-005-01	KEY WASHER	42	2Z3-003-01	ROLLER
5	2W1-052-01	050-187 WASHER	43	2A3-025-01	ANTI-REVERSE RATCHET
6	2W3-003-01	EARED WASHER	44	2F8-082-01	CAGE
7	2YT-353-03	SPOOL TOTAL ASSEMBLY	45	2E2-011-02	F30M-080 SCREW
8	2W2-023-01	KEY WASHER	46	2F5-203-01	BEARING RETAINER
9	2L3-015-01	CLICK LEAF SPRING	47	2Z1-005-05	816-5 BALL BEARING
10	2M3-093-01	MAIN SHAFT	48	2G2-095-01	PINION GEAR
11	2F8-019-03	CLICK LEAF SPRING HOLDER	49	2A2-027-01	ANTI-REVERSE CAM
12	2W2-024-01	KEY WASHER	50	2Q3-009-01	ANTI-REVERSE SPRING
13	2R1-109-02	ROTOR	51	2YB-163-04	BODY ASSEMBLY
14	2E3-002-01	ROTOR NUT	52	2B2-065-06	BODY COVER (R)
15	2E2-006-03	B26M-050 SCREW	53	2Z1-023-05	814-4 BALL BEARING
16	2E1-015-04	B26-060 SCREW	54	2G3-069-01	DRIVE PINION
17	2R4-138-01	BAIL TRIP COVER	55	2G3-079-01	OSCILLATING GEAR
18	2E2-005-05	B26M-080 SCREW	56	2M2-014-01	OSCILLATING CAM
19	2E1-037-03	B30-080 SCREW	57	2M1-047-01	OSCILLATING SLIDER
20	2E2-090-02	B30M-110 SCREW	58	2E5-039-01	OSCILLATING SLIDER RETAINER
21	2R2-042-02	BAIL ARM	59	2E2-009-02	F23M-060 SCREW
22	2C1-034-01	LINE ROLLER COLLAR	60	2E1-060-01	A26-060 SCREW
23	2Z1-012-05	407-2.5 BALL BEARING	61	2G1-084-01	DRIVE GEAR
24	2R6-020-01	LINE ROLLER	62	2W1-019-00	071-103 WASHER
25	2C2-032-01	LINE ROLLER BUSH	63	2Z1-039-05	713-4 BALL BEARING
26	2YL-119-02	BAIL ASSEMBLY	64	2B2-066-06	BODY COVER (L)
27	2Q3-056-01	BAIL TRIP LEVER SPRING	65	2E1-006-04	A30-130 SCREW
28	2R5-107-01	BAIL TRIP LEVER	66	2YH-288-01	HANDLE TOTAL ASSEMBLY
29	2F5-281-02	ROTOR COVER	67	2C3-042-01	HANDLE SCREW SLEEVE
30	2E2-051-03	B23M-060 SCREW	68	2H6-001-12	HANDLE SCREW CAP
31	2R5-120-01	BAIL TRIP SHAFT	69	2F5-276-01	REAR COVER
32	2Q1-079-01	BAIL SPRING	70	2A1-022-06	ANTI-REVERSE LEVER
33	2C2-098-01	BAIL SPRING GUIDE	71	2E2-013-04	B20M-060 SCREW
34	2R4-137-01	BAIL SPRING COVER			
35	2A4-026-01	ONE-WAY CLUTCH INNER TUBE	SS4000	SPECIAL PARTS	
36	2E2-013-02	B20M-060 SCREW	7	2YT-354-03	SPOOL TOTAL ASSEMBLY
37	2F5-189-01	ROLLER CLUTCH RETAINER	9	2L3-014-01	CLICK LEAF SPRING
38	2F8-079-01	ANTI-REVERSE SPRING ANCHOR	11	2F8-013-02	CLICK LEAF SPRING HOLDER