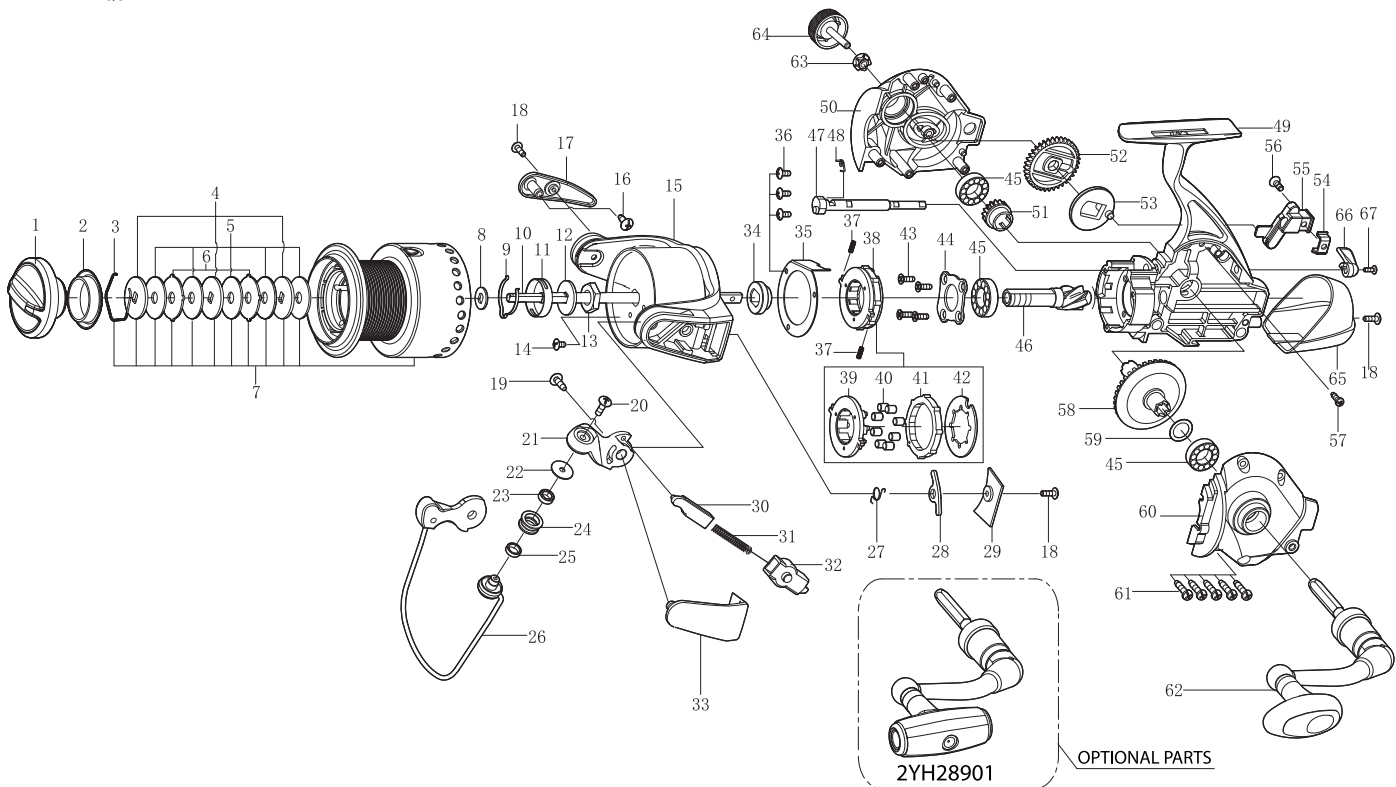




**SPINNING REEL**

**SCRAMBLER**

**SS5000 / SS6000**



Key NO.	Parts No.	Parts name	Key NO.	Parts No.	Parts name
1	2YD-072-02	DRAG KNOB ASSEMBLY	36	2E2-037-01	A26M-060 SCREW
2	2E9-027-01	WATER PROOF RING	37	2Q1-071-01	CAGE SPRING
3	2E4-030-01	DRAG WASHER RETAINER	38	2YZ-015-01	ONE-WAY CLUTCH BEARING ASSEMBLY
4	2W2-061-01	KEY WASHER	39	2F8-084-01	CAGE
5	2W1-090-02	O82-260 WASHER	40	2Z3-003-01	ROLLER
6	2W3-031-01	EARED WASHER	41	2A3-009-01	ANTI-REVERSE RATCHET
7	2YT-355-03	SPOOL TOTAL ASSEMBLY	42	2F2-035-01	ANTI-REVERSE PAWL
8	2W2-011-01	KEY WASHER	43	2E2-052-02	F26M-080 SCREW
9	2L3-015-01	CLICK LEAF SPRING	44	2F5-178-01	BEARING RETAINER
10	2M3-094-01	MAIN SHAFT	45	2Z1-035-05	917-5 BALL BEARING
11	2F8-019-01	CLICK LEAF SPRING HOLDER	46	2G2-096-01	PINION GEAR
12	2W2-019-01	KEY WASHER	47	2A2-079-01	ANTI-REVERSE CAM
13	2E3-003-01	ROTOR NUT	48	2Q3-072-01	ANTI-REVERSE SPRING
14	2E2-006-01	B26M-050 SCREW	49	2YB-164-04	BODY ASSEMBLY
15	2R1-110-02	ROTOR	50	2B2-067-06	BODY COVER ( R )
16	2E1-037-03	B30-080 SCREW	51	2G3-063-01	DRIVE PINION
17	2R4-140-01	BAIL TRIP COVER	52	2G3-071-01	OSCILLATING GEAR
18	2E2-005-05	B26M-080 SCREW	53	2M2-012-01	OSCILLATING CAM
19	2E1-011-03	B30-100 SCREW	54	2E5-041-01	OSCILLATING SLIDER RETAINER
20	2E2-007-04	B30M-100 SCREW	55	2M1-048-01	OSCILLATING SLIDER
21	2R2-030-02	BAIL ARM	56	2E2-011-02	F30M-080 SCREW
22	2C1-049-01	LINE ROLLER COLLAR	57	2E1-060-01	A26-060 SCREW
23	2Z1-001-05	508-2.5 BALL BEARING	58	2G1-085-01	DRIVE GEAR
24	2R6-014-01	LINE ROLLER	59	2W1-014-05	091-130 WASHER
25	2C1-068-01	COLLAR	60	2B2-068-06	BODY COVER ( L )
26	2YL-120-02	BAIL ASSEMBLY	61	2E1-006-04	A30-130 SCREW
27	2Q3-056-01	BAIL TRIP LEVER SPRING	62	2YH-230-01	HANDLE TOTAL ASSEMBLY
28	2R5-118-01	BAIL TRIP LEVER	63	2C3-047-01	HANDLE SCREW SLEEVE
29	2F5-282-02	ROTOR COVER	64	2H6-002-10	HANDLE SCREW CAP
30	2R5-088-01	BAIL TRIP SHAFT	65	2F5-277-01	REAR COVER
31	2Q1-092-01	BAIL SPRING	66	2A1-022-06	ANTI-REVERSE LEVER
32	2C2-099-01	BAIL SPRING GUIDE	67	2E2-013-04	B20M-060 SCREW
33	2R4-139-01	BAIL SPRING COVER			
34	2A4-019-01	ONE-WAY CLUTCH INNER TUBE	SS6000	SPECIAL PARTS	
35	2F5-196-01	ROLLER CLUTCH RETAINER	7	2YT-356-03	SPOOL TOTAL ASSEMBLY