

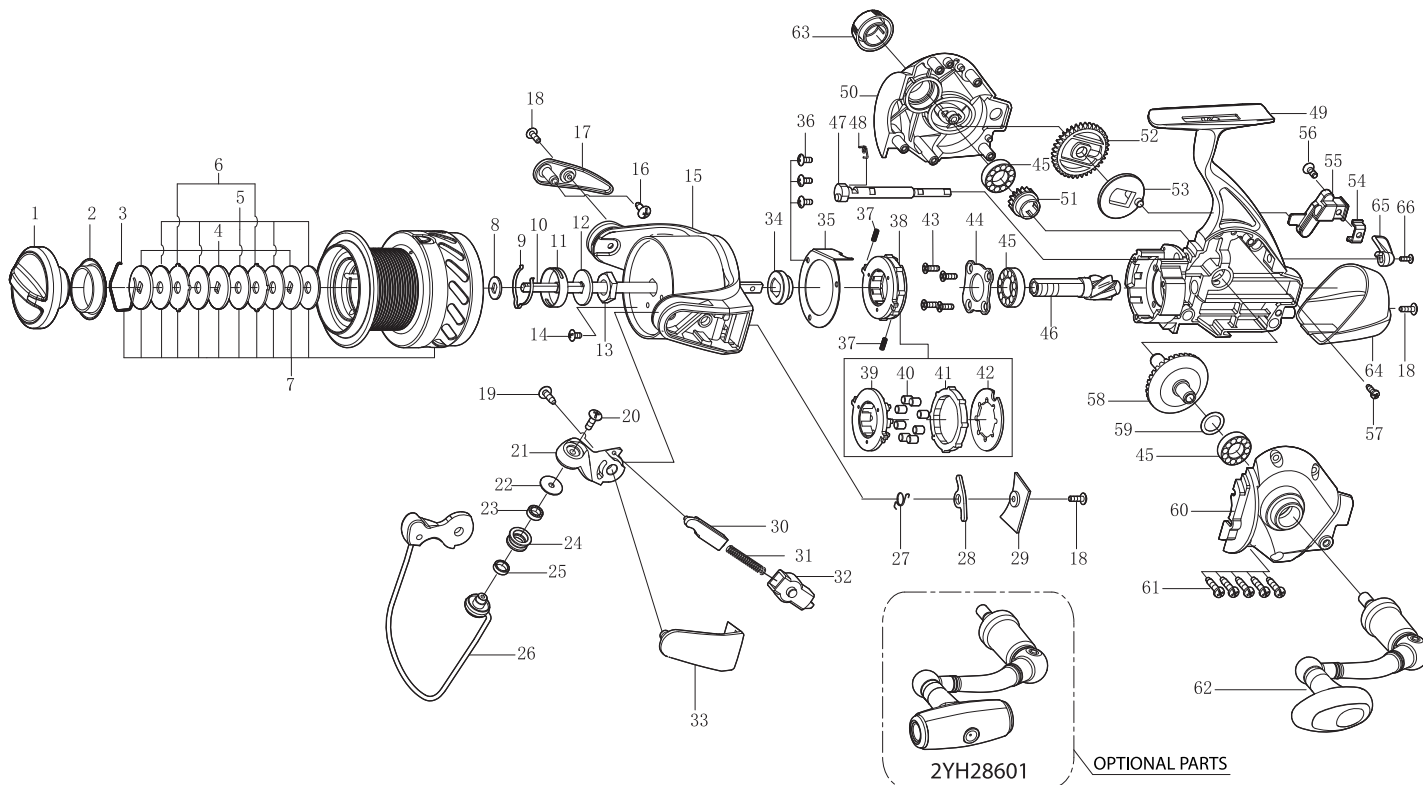


**SPINNING REEL**

**SCRAMBLER**

**ST5000 / ST6000**

Please order by parts number, not key number  
 Bitte, Best.-Nr. angeben (Nicht "key" -nr.)  
 Veuillez indiquer le numero de la piece (Non "key" no.)



Key NO.	Parts No.	Parts name	Key NO.	Parts No.	Parts name
1	2YD-072-01	DRAG KNOB ASSEMBLY	35	2F5-196-01	ROLLER CLUTCH RETAINER
2	2E9-027-01	WATER PROOF RING	36	2E2-037-01	A26M-060 SCREW
3	2E4-030-01	DRAG WASHER RETAINER	37	2Q1-071-01	CAGE SPRING
4	2W2-061-01	KEY WASHER	38	2YZ-015-01	ONE-WAY CLUTCH BEARING ASSEMBLY
5	2W1-090-02	082-260 WASHER	39	2F8-084-01	CAGE
6	2W3-031-01	EARED WASHER	40	2Z3-003-01	ROLLER
7	2YT-303-03	SPOOL TOTAL ASSEMBLY	41	2A3-009-01	ANTI-REVERSE RATCHET
8	2W2-011-01	KEY WASHER	42	2F2-035-01	ANTI-REVERSE PAWL
9	2L3-015-01	CLICK LEAF SPRING	43	2E2-052-02	F26M-080 SCREW
10	2M3-094-01	MAIN SHAFT	44	2F5-178-01	BEARING RETAINER
11	2F8-019-01	CLICK LEAF SPRING HOLDER	45	2Z1-035-05	917-5 BALL BEARING
12	2W2-019-01	KEY WASHER	46	2G2-096-01	PINION GEAR
13	2E3-003-01	ROTOR NUT	47	2A2-079-01	ANTI-REVERSE CAM
14	2E2-006-01	B26M-050 SCREW	48	2Q3-072-01	ANTI-REVERSE SPRING
15	2R1-110-01	ROTOR	49	2YB-164-03	BODY ASSEMBLY
16	2E1-037-03	B30-080 SCREW	50	2B2-067-05	BODY COVER(R)
17	2R4-140-01	BAIL TRIP COVER	51	2G3-063-01	DRIVE PINION
18	2E2-005-05	B26M-080 SCREW	52	2G3-071-01	OSCILLATING GEAR
19	2E1-011-03	B30-100 SCREW	53	2M2-012-01	OSCILLATING CAM
20	2E2-007-04	B30M-100 SCREW	54	2E5-041-01	OSCILLATING SLIDER RETAINER
21	2R2-030-06	BAIL ARM	55	2M1-048-01	OSCILLATING SLIDER
22	2C1-049-01	LINE ROLLER COLLAR	56	2E2-011-02	F30M-080 SCREW
23	2Z1-001-05	508-2.5 BALL BEARING	57	2E1-060-01	A26-060 SCREW
24	2R6-014-01	LINE ROLLER	58	2G1-100-01	DRIVE GEAR
25	2C1-068-01	COLLAR	59	2W1-014-05	091-130 WASHER
26	2YL-120-01	BAIL ASSEMBLY	60	2B2-068-05	BODY COVER(L)
27	2Q3-056-01	BAIL TRIP LEVER SPRING	61	2E1-006-04	A30-130 SCREW
28	2R5-118-01	BAIL TRIP LEVER	62	2YH-223-01	HANDLE TOTAL ASSEMBLY
29	2F5-282-01	ROTOR COVER	63	2H6-018-03	HANDLE SCREW CAP
30	2R5-088-01	BAIL TRIP SHAFT	64	2F5-277-01	REAR COVER
31	2Q1-092-01	BAIL SPRING	65	2A1-022-05	ANTI-REVERSE LEVER
32	2C2-099-01	BAIL SPRING GUIDE	66	2E2-013-04	B20M-060 SCREW
33	2R4-139-01	BAIL SPRING COVER	ST6000		SPECIAL PARTS
34	2A4-019-01	ONE-WAY CLUTCH INNER TUBE	7	2YT-304-03	SPOOL TOTAL ASSEMBLY