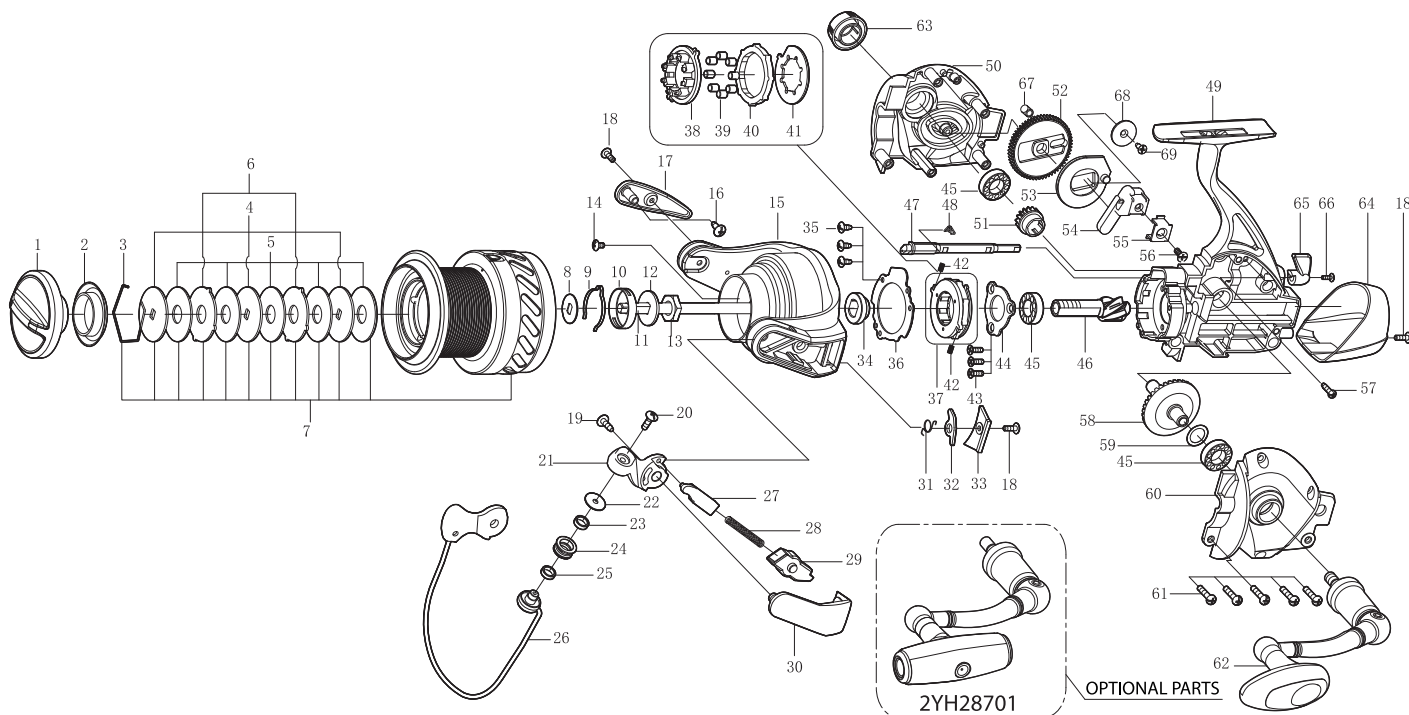




SPINNING REEL

SCRAMBLER

ST7000 / ST8000
 GEAR RATIO (4.1/5.2)



Key NO.	Parts No.	Parts name	Key NO.	Parts No.	Parts name
1	2YD-073-01	DRAG KNOB ASSEMBLY	39	2Z3-003-01	ROLLER
2	2E9-015-01	PROOF WATER RING	40	2A3-009-01	ANTI-REVERSE RATCHET
3	2E4-003-01	DRAG WASHER RETAINER	41	2F2-033-01	ANTI-REVERSE PAWL
4	2W2-048-02	KEY WASHER	42	2Q1-071-01	CAGE SPRING
5	2W1-175-01	100-300 WASHER	43	2E2-052-02	F26M-080 SCREW
6	2W3-027-01	EARED WASHER	44	2F5-259-01	BEARING RETAINER
7	2YT-305-03	SPOOL TOTAL ASSEMBLY	45	2Z1-035-05	917-5 BALL BEARING
8	2W2-050-01	KEY WASHER	46	2G2-097-01	PINION GEAR
9	2L3-018-01	CLICK LEAF SPRING	47	2A2-073-01	ANTI-REVERSE CAM
10	2F8-027-02	CLICK LEAF SPRING HOLDER	48	2Q3-009-01	ANTI-REVERSE SPRING
11	2M3-095-01	MAIN SHAFT	49	2YB-165-03	BODY ASSEMBLY
12	2W2-034-01	KEY WASHER	50	2B2-069-05	BODY COVER(R)
13	2E3-003-01	ROTOR NUT	51	2G3-063-01	DRIVE PINION
14	2E2-006-01	B26M-050 SCREW	52	2G3-064-01	OSCILLATING GEAR
15	2R1-111-01	ROTOR	53	2M2-011-01	OSCILLATING CAM
16	2E1-037-03	B30-080 SCREW	54	2M1-044-01	OSCILLATING SLIDER
17	2R4-142-01	BAIL TRIP COVER	55	2E5-034-01	OSCILLATING SLIDER RETAINER
18	2E2-005-05	B26M-080 SCREW	56	2E2-011-02	F30M-080 SCREW
19	2E1-011-03	B30-100 SCREW	57	2E1-045-01	A26-080 SCREW
20	2E2-007-04	B30M-100 SCREW	58	2G1-101-01	DRIVE GEAR
21	2R2-030-06	BAIL ARM	59	2W1-014-03	091-130 WASHER
22	2C1-049-01	LINE ROLLER COLLAR	60	2B2-070-05	BODY COVER(L)
23	2Z1-001-05	508-2.5 BALL BEARING	61	2E1-006-04	A30-130 SCREW
24	2R6-014-01	LINE ROLLER	62	2YH-224-01	HANDLE TOTAL ASSEMBLY
25	2C1-068-01	COLLAR	63	2H6-018-03	HANDLE SCREW CAP
26	2YL-121-01	BAIL ASSEMBLY	64	2F5-278-01	REAR COVER
27	2R5-088-01	BAIL TRIP SHAFT	65	2A1-025-05	ANTI-REVERSE LEVER
28	2Q1-092-01	BAIL SPRING	66	2E2-013-04	B20M-060 SCREW
29	2C2-100-01	BAIL SPRING GUIDE	67	2C1-089-01	COLLAR
30	2R4-141-01	BAIL SPRING COVER	68	2W5-062-01	COVER
31	2Q3-056-01	BAIL TRIP LEVER SPRING	69	2E1-063-01	F26-070 SCREW
32	2R5-089-01	BAIL TRIP LEVER			
33	2F5-283-01	ROTOR COVER	ST8000	SPECIAL PARTS	
34	2A4-019-01	ONE-WAY CLUTCH INNER TUBE	7	2YT-306-03	SPOOL TOTAL ASSEMBLY
35	2E2-029-01	B26M-060 SCREW			
36	2F5-284-01	ROLLER CLUTCH RETAINER	GEAR RATIO 5.2	SPECIAL PARTS	
37	2YZ-020-01	ONE-WAY CLUTCH BEARING ASSEMBLY	46	2G2-120-01	PINION GEAR
38	2F8-084-01	CAGE	58	2G1-109-01	DRIVE GEAR