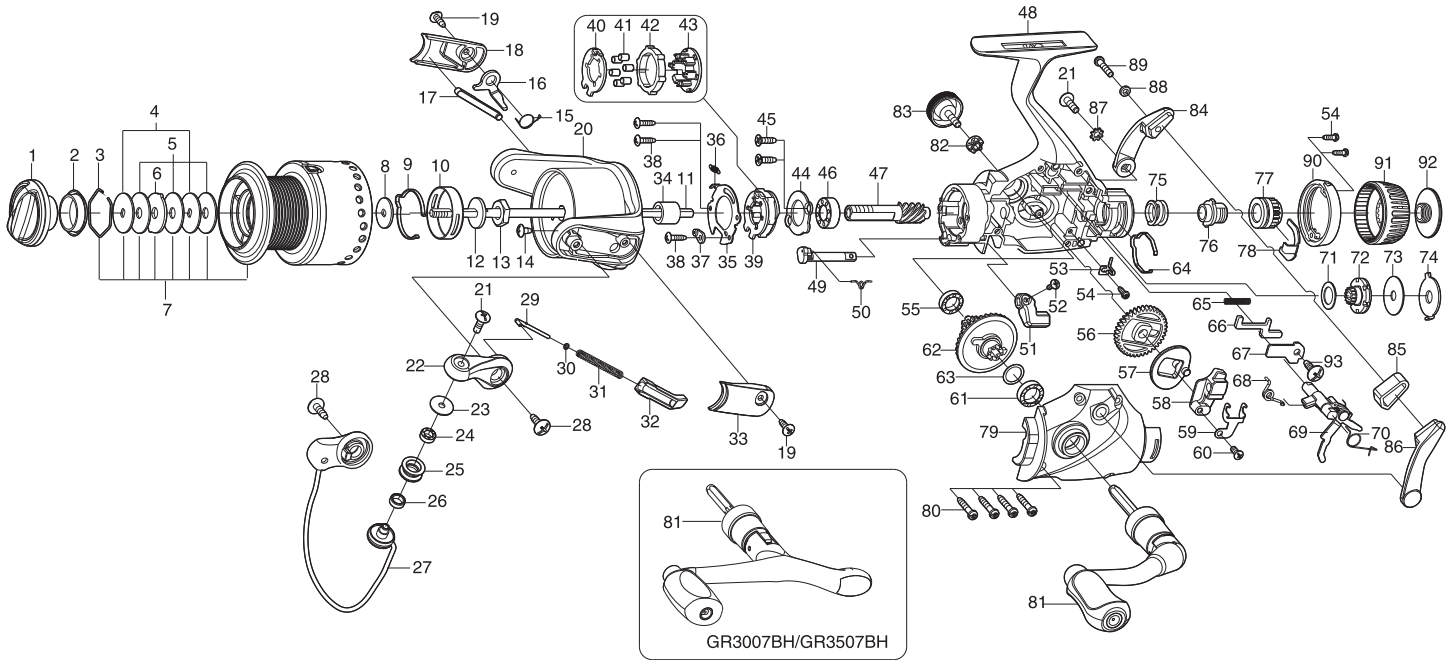




SPORTERA SPINNING REEL

GR3007 / GR3007BH / GR3507 / GR3507BH

Please order by parts number, not key number
 Bitte, Best.-Nr. angeben (Nicht "key" -nr.)
 Veuillez indiquer le numero de la piece (Non "key" no.)



Key NO.	Parts No.	Parts name	Key NO.	Parts No.	Parts name
1	2YD-054-06	DRAG KNOB ASSEMBLY	53	2L2-016-01	HIT AND RUN CLICK PAWL
2	2E9-019-01	PROOF WATER RING	54	2E1-050-01	A20-060 SCREW
3	2E4-009-01	DRAG WASHER RETAINER	55	2Z1-009-05	711-3 BALL BEARING
4	2W2-013-02	KEY WASHER	56	2G3-079-01	OSCILLATING GEAR
5	2W1-052-02	050-187 WASHER	57	2M2-014-01	OSCILLATING CAM
6	2W3-014-01	EARED WASHER	58	2M1-050-01	OSCILLATING SLIDER
7	2YT-318-01	SPOOL TOTAL ASSEMBLY	59	2E5-044-01	OSCILLATING SLIDER RETAINER
8	2W2-020-01	KEY WASHER	60	2E2-040-01	b26M-060 SCREW
9	2L3-015-01	CLICK LEAF SPRING	61	2Z1-010-05	812-3.5 BALL BEARING
10	2F8-019-02	CLICK LEAF SPRING HOLDER	62	2G1-102-01	DRIVE GEAR
11	2M3-115-01	MAIN SHAFT	63	2W1-035-00	080-105 WASHER
12	2W2-015-01	KEY WASHER	64	2L3-032-01	CONTROL KNOB CLICK LEAF SPRING
13	2E3-007-01	ROTOR NUT	65	2Q1-091-01	CLUTCH PAWL SPRING
14	2E1-028-01	B26-050 SCREW	66	2F6-104-01	CLUTCH PAWL
15	2Q3-108-01	BAIL SPRING	67	2F6-105-01	CLUTCH PAWL RETAINER
16	2R5-137-01	BAIL TRIP LEVER	68	2Q3-097-01	CLUTCH CAM SPINING
17	2R5-136-01	BAIL PAWL	69	2YA-027-01	HIT AND RUN LEVER SHAFT ASSEMBLY
18	2R4-153-01	BAIL TRIP COVER	70	2Q3-110-01	SPRING B
19	2E1-016-04	B26-080 SCREW	71	2W1-178-01	081-125WASHER
20	2R1-119-01	ROTOR	72	2YF-088-01	CLICK GEAR ASSEMBAL
21	2E2-007-04	B30M-100 SCREW	73	2W1-179-01	045-178WASHER
22	2R2-053-01	BAIL ARM	74	2W3-028-01	EARED WASHER
23	2C1-034-01	LINE ROLLER COLLAR	75	2Q1-045-01	DRAG SPRING
24	2Z1-012-05	407-2.5 BALL BEARING	76	2D3-040-01	PRESSURE SCREW
25	2R6-020-01	LINE ROLLER	77	2D2-012-01	HIT AND RUN CONTROL NUT
26	2C2-032-01	LINE ROLLER BUSH	78	2E5-036-01	CONTROL NUT RETAINER
27	2YL-126-01	BAIL ASSEMBLY	79	2B2-085-01	BODY COVER
28	2E1-010-04	b30-100 SCREW	80	2E1-031-03	A26-140 SCREW
29	2R5-135-01	BAIL TRIP SHAFT	81	2YH-241-03	HANDLE TOTAL ASSEMBLY
30	2W1-199-01	015-027 WASHER	82	2C3-042-01	HANDLE SCREW SLEEVE
31	2Q1-097-01	BAIL SPRING	83	2H6-001-12	HANDLE SCREW CAP
32	2C2-106-01	BAIL SPRING GUIDE	84	2D4-005-01	HIT AND RUN LEVER ARM (L)
33	2R4-154-01	BAIL SPRING COVER	85	2C3-026-02	LEVER ARM SPACER
34	2A4-021-01	ONE-WAY CLUTCH INNER TUBE	86	2D4-006-02	HIT AND RUN LEVER ARM (R)
35	2F5-205-01	ROLLER CLUTCH RETAINER	87	2E8-004-01	STARWASHER
36	2Q2-016-01	SPRING	88	2W1-127-01	027-048 WASHER
37	2F8-079-01	ANTI-REVERSE SPRING ANCHOR	89	2E2-039-01	A26M-120 SCREW
38	2E1-029-01	B22-090 SCREW	90	2F5-318-01	REAR COVER
39	2YZ-018-01	ONE-WAY CLUTCH BEARING ASSEMBLY	91	2D1-052-02	HIT AND RUN CONTROL KNOB
40	2F2-026-01	ANTI-REVERSE PAWL	92	2E0-034-01	HIT AND RUN CONTROL KNOB SCREW
41	2Z3-001-01	ROLLER	93	2E1-010-01	b30-100 SCREW
42	2A3-008-01	ANTI-REVERSE RATCHET			
43	2F8-078-01	CAGE	GR3007BH	SPECIAL PARTS	
44	2F5-193-01	BEARING RETAINER	81	2YH-243-03	HANDLE TOTAL ASSEMBLY
45	2E1-067-01	F26-090 SCREW	GR3507	SPECIAL PARTS	
46	2Z1-003-05	714-5 BALL BEARING	7	2YT-319-01	SPOOL TOTAL ASSEMBLY
47	2G2-042-02	PINION GEAR	9	2L3-014-01	CLICK LEAF SPRING
48	2YB-224-01	BODY ASSEMBLY	10	2F8-013-01	CLICK LEAF SPRING HOLDER
49	2A2-031-01	ANTI-REVERSE CAM	GR3507BH	SPECIAL PARTS	
50	2Q3-009-01	ANTI-REVERSE SPRING	7	2YT-319-01	SPOOL TOTAL ASSEMBLY
51	2A1-026-04	ANTI-REVERSE LEVER	9	2L3-014-01	CLICK LEAF SPRING
52	2E2-013-04	B20M-060 SCREW	10	2F8-013-01	CLICK LEAF SPRING HOLDER
			81	2YH-243-03	HANDLE TOTAL ASSEMBLY