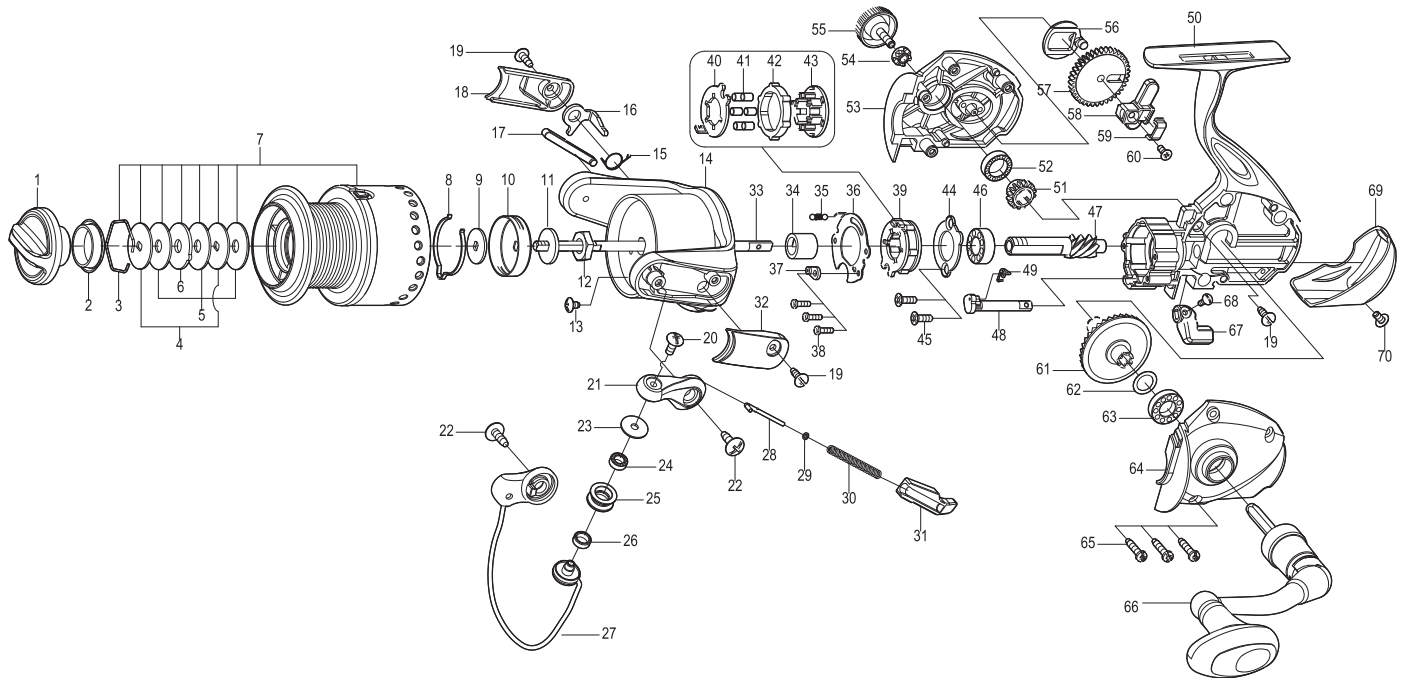




SPINNING REEL

GAINER

GA3000 / GA3500



Key NO.	Parts No.	Parts name	Key NO.	Parts No.	Parts name
1	2YD-054-08	DRAG KNOB ASSEMBLY	38	2E2-047-02	A20M-065 SCREW
2	2E9-019-01	PROOF WATER RING	39	2YZ-014-01	ONE-WAY CLUTCH BEARING ASSEMBLY
3	2E4-009-01	DRAG WASHER RETAINER	40	2F2-028-01	ANTI-REVERSE PAWL
4	2W2-013-02	KEY WASHER	41	2Z3-001-01	ROLLER
5	2W1-052-02	050-187 WASHER	42	2A3-008-01	ANTI-REVERSE RATCHET
6	2W3-014-01	EARED WASHER	43	2F8-078-01	CAGE
7	2YT-318-03	SPOOL TOTAL ASSEMBLY	44	2F5-193-01	BEARING RETAINER
8	2L3-015-01	CLICK LEAF SPRING	45	2E2-052-02	F26M-080 SCREW
9	2W2-020-01	KEY WASHER	46	2Z1-003-05	714-5 BALL BEARING
10	2F8-019-02	CLICK LEAF SPRING HOLDER	47	2G2-042-01	PINION GEAR
11	2W2-015-01	KEY WASHER	48	2A2-031-01	ANTI-REVERSE CAM
12	2E3-007-01	ROTOR NUT	49	2Q3-009-01	ANTI-REVERSE SPRING
13	2E1-036-01	B26-040 SCREW	50	2YB-219-01	BODY ASSEMBLY
14	2R1-119-02	ROTOR	51	2G3-068-01	DRIVE PINION
15	2Q3-108-01	BAIL SPRING	52	2Z1-010-05	812-3.5 BALL BEARING
16	2R5-137-01	BAIL TRIP LEVER	53	2B2-099-01	BODY COVER (R)
17	2R5-136-01	BAIL PAWL	54	2C3-042-01	HANDLE SCREW SLEEVE
18	2R4-153-01	BAIL TRIP COVER	55	2H6-001-12	HANDLE SCREW CAP
19	2E1-016-02	B26-080 SCREW	56	2M2-016-01	OSCILLATING CAM
20	2E2-018-01	B30M-080 SCREW	57	2G3-081-01	OSCILLATING GEAR
21	2R2-053-02	BAIL ARM	58	2M1-062-01	OSCILLATING SILDER
22	2E1-010-01	b30-100 SCREW	59	2E5-051-01	OSCILLATING SILDER RETAINER
23	2C1-034-01	LINE ROLLER COLLAR	60	2E2-009-02	F23M-060 SCREW
24	2Z1-012-05	407-2.5 BALL BEARING	61	2G1-128-01	DRIVE GEAR
25	2R6-020-02	LINE ROLLER	62	2W1-019-00	071-103 WASHER
26	2C2-032-01	LINE ROLLER BUSH	63	2Z1-039-05	713-4 BALL BEARING
27	2YL-126-02	BAIL ASSEMBLY	64	2B2-098-01	BODY COVER (L)
28	2R5-135-01	BAIL TRIP SHAFT	65	2E1-005-02	A26-120 SCREW
29	2W1-199-01	015-027 WASHER	66	2YH-305-01	HANDLE TOTAL ASSEMBLY
30	2Q1-097-01	BAIL SPRING	67	2A1-026-09	ANTI-REVERSE LEVER
31	2C2-106-01	BAIL SPRING GUIDE	68	2E2-013-02	B20M-060 SCREW
32	2R4-154-01	BAIL SPRING COVER	69	2F5-360-01	REAR COVER
33	2M3-120-01	MAIN SHAFT	70	2E2-055-01	B23M-050 SCREW
34	2A4-021-01	ONE-WAY CLUTCH INNER TUBE	GA3500	SPECIAL PARTS	
35	2Q2-016-01	SPRING	7	2YT-319-03	SPOOL TOTAL ASSEMBLY
36	2F5-192-01	ROLLER CLUTCH RETAINER	8	2L3-014-01	CLICK LEAF SPRING
37	2F8-079-01	ANTI-REVERSE SPRING ANCHOR	10	2F8-013-01	CLICK LEAF SPRING HOLDER