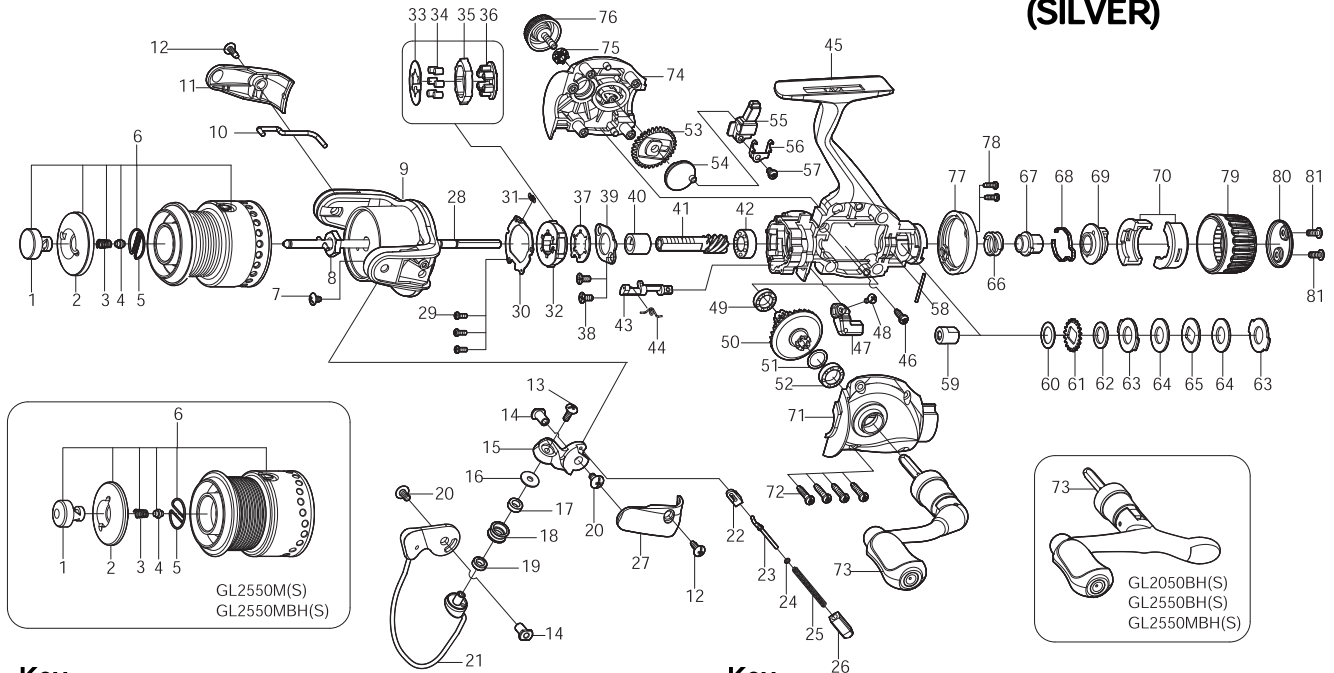




SPINNING REEL STUNNA

GL2050 / GL2050BH / GL2550 / GL2550M  
GL2550BH / GL2550MBH  
(SILVER)



Key NO.	Parts No.	Parts name	Key NO.	Parts No.	Parts name
1	2S3-003-07	PUSH BUTTON	48	2E2-013-02	B20M-060 SCREW
2	2S2-003-07	SPOOL CAP	49	2Z1-009-05	711-3 BALL BEARING
3	2Q1-093-01	BUTTON SPRING	50	2G1-092-02	DRIVE GEAR
4	2P4-014-01	BUTTON SHAFT SPACER BAR	51	2W1-035-00	080-105 WASHER
5	2Q3-018-01	PUSH BUTTON RETAINER	52	2Z1-010-05	812-3.5 BALL BEARING
6	2YT-378-02	SPOOL TOTAL ASSEMBLY	53	2G3-060-01	OSCILLATING GEAR
7	2E1-036-01	B26-040 SCREW	54	2M2-010-01	OSCILLATING CAM
8	2E3-007-01	ROTOR NUT	55	2M1-059-01	OSCILLATING SILDER
9	2R1-125-03	ROTOR	56	2E5-053-01	OSCILLATING SLIDER RETAINER
10	2R5-147-01	BAIL PAWL	57	2E2-016-01	A26M-040 SCREW
11	2R4-166-01	BAIL TRIP COVER	58	2P1-064-01	PIN
12	2E1-016-02	B26-080 SCREW	59	2F3-065-01	CLUTCH METAL
13	2E2-083-01	B26M-110 SCREW	60	2W1-025-02	082-126 WASHER
14	2E3-066-01	SHAFT NUT	61	2F3-018-01	CLICK GEAR
15	2R2-057-03	BAIL ARM	62	2W1-025-03	082-126 WASHER
16	2C1-056-01	LINE ROLLER COLLAR	63	2W3-007-01	EARED WASHER
17	2Z1-012-05	407-2.5 BALL BEARING	64	2W1-022-03	082-162WASHER
18	2R6-012-02	LINE ROLLER	65	2W2-002-01	KEY WASHER
19	2C2-072-01	LINE ROLLER BUSH	66	2Q1-085-01	DRAG SPRING
20	2E2-004-01	B30M-060 SCREW	67	2D3-040-01	PRESSURE SCREW
21	2YL-135-03	BAIL ASSEMBLY	68	2L3-039-01	CLICK LEAF SPRING
22	2F5-346-01	BAIL TRIP SHAFT COVER	69	2D2-013-01	HIT AND RUN CONTROL NUT
23	2R5-132-01	BAIL TRIP SHAFT	70	2F6-110-01	POSITIONING RETAINER
24	2W1-199-01	015-027 WASHER	71	2YC-106-02	BODY COVER ASSEMBLY
25	2Q1-096-01	BAIL SPRING	72	2E1-005-02	A26-120 SCREW
26	2C2-105-01	BAIL SPRING GUIDE	73	2YH-236-03	HANDLE TOTAL ASSEMBLY
27	2R4-165-01	BAIL SPRING COVER	74	2B2-094-02	BODY COVER ( R )
28	2YM-074-01	MAIN SHAFT ASSEMBLY	75	2C3-042-01	HANDLE SCREW SLEEVE
29	2E2-044-01	A20M-050 SCREW	76	2H6-017-05	HANDLE SCREW CAP
30	2F5-356-01	ROLLER CLUTCH RETAINER	77	2F5-337-01	REAR COVER
31	2Q2-016-01	SPRING	78	2E1-050-01	A20-060 SCREW
32	2YZ-019-01	ONE-WAY CLUTCH BEARING ASSEMBLY	79	2D1-062-02	DRAG KNOB
33	2F2-030-01	ANTI-REVERSE PAWL	80	2F5-338-01	DRAG KNOB CAP
34	2Z3-001-01	ROLLER	81	2E2-040-01	b26M-060 SCREW
35	2A3-008-01	ANTI-REVERSE RATCHET	GL2050BH(S)	SPECIAL PARTS	
36	2F8-080-01	CAGE	73	2YH-238-02	HANDLE TOTAL ASSEMBLY
37	2F2-037-01	ANTI-REVERSE PAWL	GL2550(S)	SPECIAL PARTS	
38	2E2-014-02	F26M-060 SCREW	6	2YT-379-02	SPOOL TOTAL ASSEMBLY
39	2F5-212-01	BEARING RETAINER	GL2550M(S)	SPECIAL PARTS	
40	2A4-021-01	ONE-WAY CLUTCH INNER TUBE	6	2YT-385-02	SPOOL TOTAL ASSEMBLY
41	2G2-128-01	PINION GEAR	GL2550BH(S)	SPECIAL PARTS	
42	2Z1-003-05	714-5 BALL BEARING	6	2YT-379-02	SPOOL TOTAL ASSEMBLY
43	2A2-088-01	ANTI-REVERSE CAM	73	2YH-238-02	HANDLE TOTAL ASSEMBLY
44	2Q3-102-01	ANTI-REVERSE SPRING	GL2550MBH(S)	SPECIAL PARTS	
45	2YB-214-02	BODY ASSEMBLY	6	2YT-385-02	SPOOL TOTAL ASSEMBLY
46	2E1-045-01	A26-080 SCREW	73	2YH-238-02	HANDLE TOTAL ASSEMBLY
47	2A1-026-10	ANTI-REVERSE LEVER			