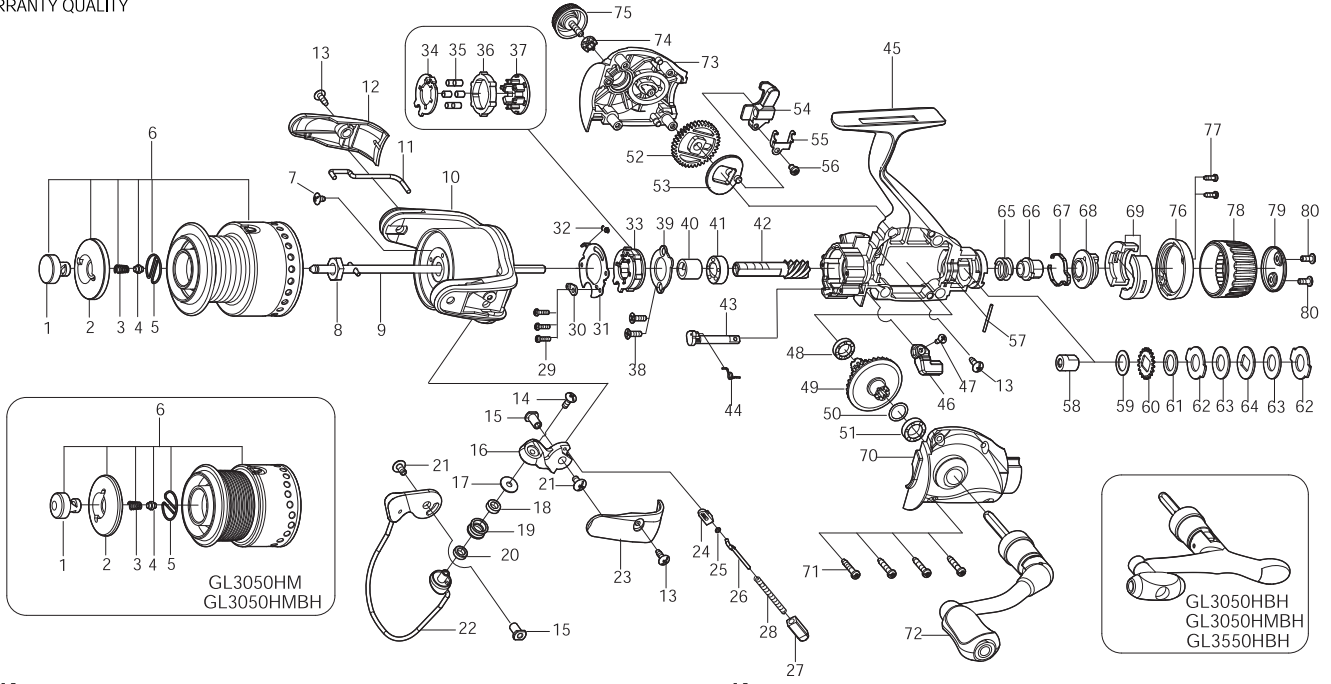




SPINNING REEL STUNNA

GL3050H / GL3050HM / GL3050HBH / GL3050HMBH
GL3550H / GL3550HBH



Key No.	Parts No.	Parts Name	Key No.	Parts No.	Parts Name
1	2S3-003-07	PUSH BUTTON	47	2E2-013-04	B20M-060 SCREW
2	2S2-003-06	SPOOL CAP	48	2Z1-009-05	711-3 BALL BEARING
3	2Q1-093-01	BUTTON SPRING	49	2G1-061-02	DRIVE GEAR
4	2P4-014-01	BUTTON SHAFT SPACER BAR	50	2W1-035-00	080-105 WASHER
5	2Q3-018-01	PUSH BUTTON RETAINER	51	2Z1-010-05	812-3.5 BALL BEARING
6	2YT-383-03	SPOOL TOTAL ASSEMBLY	52	2G3-079-01	OSCILLATING GEAR
7	2E1-036-01	B26-040 SCREW	53	2M2-014-01	OSCILLATING CAM
8	2E3-007-01	ROTOR NUT	54	2M1-064-01	OSCILLATING SILDER
9	2YM-075-01	MAIN SHAFT ASSEMBLY	55	2E5-055-01	OSCILLATING SILDER RETAINER
10	2R1-124-01	ROTOR	56	2E2-016-01	A26M-040 SCREW
11	2R5-145-01	BAIL PAWL	57	2P1-064-01	PIN
12	2R4-164-01	BAIL TRIP COVER	58	2F3-065-01	CLUTCH METAL
13	2E1-016-04	B26-080 SCREW	59	2W1-025-02	082-126 WASHER
14	2E2-083-02	B26M-110 SCREW	60	2F3-018-01	CLICK GEAR
15	2E3-066-01	SHAFT NUT	61	2W1-025-03	082-126 WASHER
16	2R2-057-01	BAIL ARM	62	2W3-007-01	EARED WASHER
17	2C1-056-01	LINE ROLLER COLLAR	63	2W1-022-03	082-162 WASHER
18	2Z1-012-05	407-2.5 BALL BEARING	64	2W2-002-01	KEY WASHER
19	2R6-012-01	LINE ROLLER	65	2Q1-085-01	DRAG SPRING
20	2C2-072-01	LINE ROLLER BUSH	66	2D3-040-01	PRESSURE SCREW
21	2E2-004-01	B30M-060 SCREW	67	2L3-039-01	CLICK LEAF SPRING
22	2YL-133-01	BAIL ASSEMBLY	68	2D2-013-01	HIT AND RUN CONTROL NUT
23	2R4-163-01	BAIL SPRING COVER	69	2F6-110-01	POSITIONING RETAINER
24	2F5-346-01	BAIL TRIP SHAFT COVER	70	2YC-107-01	BODY COVER ASSEMBLY
25	2W1-199-01	015-027 WASHER	71	2E1-031-03	A26-140 SCREW
26	2R5-132-01	BAIL TRIP SHAFT	72	2YH-241-04	HANDLE TOTAL ASSEMBLY
27	2C2-105-01	BAIL SPRING GUIDE	73	2B2-100-01	BODY COVER (R)
28	2Q1-096-01	BAIL SPRING	74	2C3-042-01	HANDLE SCREW SLEEVE
29	2E2-026-01	A20M-075 SCREW	75	2H6-017-01	HANDLE SCREW CAP
30	2F8-079-01	ANTI-REVERSE SPRING ANCHOR	76	2F5-337-01	REAR COVER
31	2F5-192-01	ROLLER CLUTCH RETAINER	77	2E1-050-01	A20-060 SCREW
32	2Q2-016-01	SPRING	78	2D1-062-01	DRAG KNOB
33	2YZ-014-01	ONE-WAY CLUTCH BEARING ASSEMBLY	79	2F5-338-01	DRAG KNOB CAP
34	2F2-028-01	ANTI-REVERSE PAWL	80	2E2-040-01	b26M-060 SCREW
35	2Z3-001-01	ROLLER	GL3050HM	SPECIAL PARTS	
36	2A3-008-01	ANTI-REVERSE RATCHET	6	2YT-386-03	SPOOL TOTAL ASSEMBLY
37	2F8-078-01	CAGE	GL3050HBH	SPECIAL PARTS	
38	2E2-052-02	F26M-080 SCREW	72	2YH-306-01	HANDLE TOTAL ASSEMBLY
39	2F5-193-01	BEARING RETAINER	GL3050HMBH	SPECIAL PARTS	
40	2A4-021-01	ONE-WAY CLUTCH INNER TUBE	6	2YT-386-03	SPOOL TOTAL ASSEMBLY
41	2Z1-003-05	714-5 BALL BEARING	72	2YH-306-01	HANDLE TOTAL ASSEMBLY
42	2G2-145-01	PINION GEAR	GL3550H	SPECIAL PARTS	
43	2A2-031-01	ANTI-REVERSE CAM	6	2YT-384-03	SPOOL TOTAL ASSEMBLY
44	2Q3-009-01	ANTI-REVERSE SPRING	GL3550HBH	SPECIAL PARTS	
45	2YB-217-01	BODY ASSEMBLY	6	2YT-384-03	SPOOL TOTAL ASSEMBLY
46	2A1-026-07	ANTI-REVERSE LEVER	72	2YH-306-01	HANDLE TOTAL ASSEMBLY