

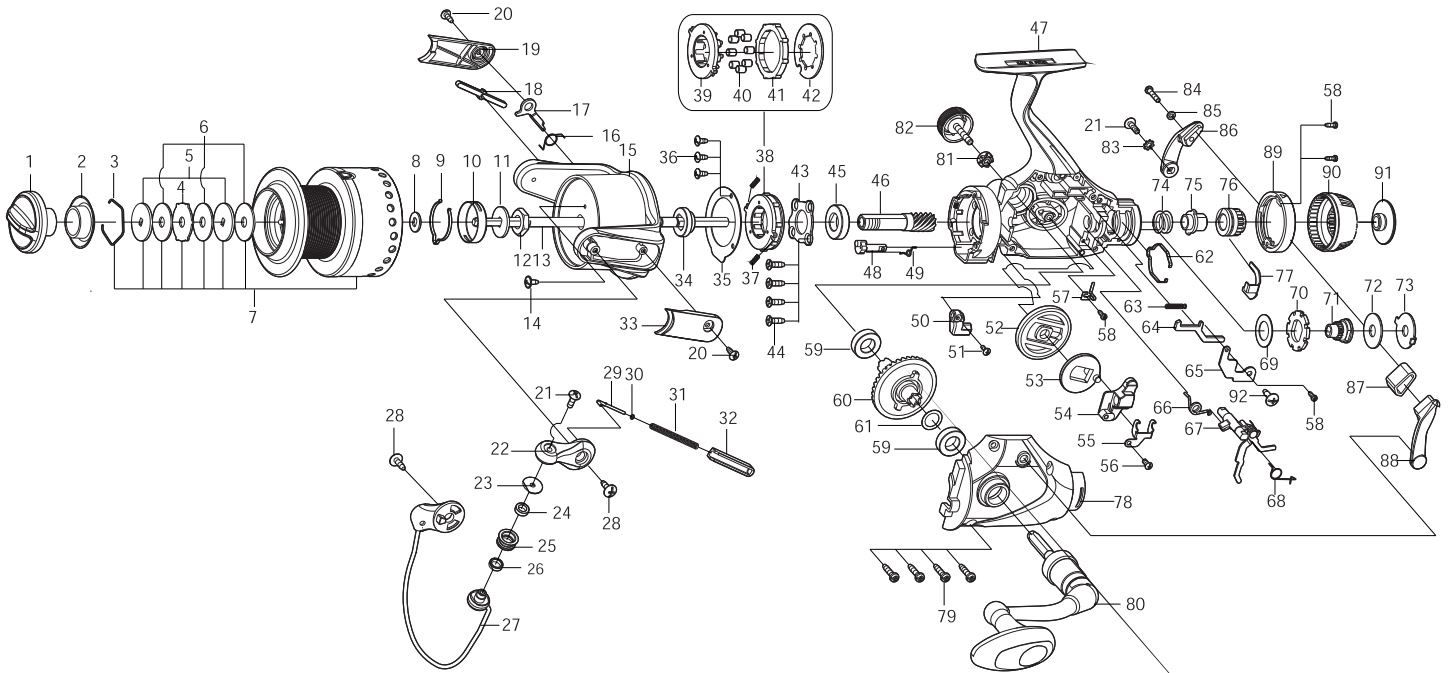


SPINNING REEL

SPORTERA

GR6007

Please order by parts number, not key number
 Bitte, Best.-Nr. angeben (Nicht "key" -nr.)
 Veuillez indiquer le numero de la piece (Non "key" no.)



| Key NO. | Parts No. | Parts name |
|---------|------------|---------------------------------|
| 1 | 2YD-030-08 | DRAG KNOB ASSEMBLY |
| 2 | 2E9-028-01 | WATER PROOF RING |
| 3 | 2E4-028-01 | DRAG WASHER RETAINER |
| 4 | 2W3-013-01 | EARED WASHER |
| 5 | 2W2-027-02 | KEY WASHER |
| 6 | 2W1-094-01 | 060-220 WASHER |
| 7 | 2YT-363-01 | SPOOL TOTAL ASSEMBLY |
| 8 | 2W2-011-01 | KEY WASHER |
| 9 | 2L3-015-01 | CLICK LEAF SPRING |
| 10 | 2F8-019-01 | CLICK LEAF SPRING HOLDER |
| 11 | 2W2-019-01 | KEY WASHER |
| 12 | 2E3-003-01 | ROTOR NUT |
| 13 | 2M3-119-01 | MAIN SHAFT |
| 14 | 2E1-019-01 | D26-060 SCREW |
| 15 | 2R1-123-02 | BAIL SPRING |
| 16 | 2Q3-108-01 | BAIL SPRING |
| 17 | 2R5-144-01 | BAIL TRIP LEVER |
| 18 | 2R5-143-01 | BAIL PAWL |
| 19 | 2R4-161-01 | BAIL TRIP COVER |
| 20 | 2E1-016-04 | B26-080 SCREW |
| 21 | 2E2-007-04 | B30M-100 SCREW |
| 22 | 2R2-056-02 | BAIL ARM |
| 23 | 2C1-049-01 | LINE ROLLER COLLAR |
| 24 | 2Z1-001-05 | 508-2.5 BALL BEARING |
| 25 | 2R6-018-02 | LINE ROLLER |
| 26 | 2C1-068-01 | COLLAR |
| 27 | 2YL-131-02 | BAIL ASSEMBLY |
| 28 | 2E1-010-04 | b30-100 SCREW |
| 29 | 2R5-135-01 | BAIL TRIP SHAFT |
| 30 | 2W1-199-01 | 015-027 WASHER |
| 31 | 2Q1-101-01 | BAIL SPRING |
| 32 | 2C2-111-01 | BAIL SPRING GUIDE |
| 33 | 2R4-162-01 | BAIL SPRING COVER |
| 34 | 2A4-019-01 | ONE-WAY CLUTCH INNER TUBE |
| 35 | 2F5-332-01 | ROLLER CLUTCH RETAINER |
| 36 | 2E1-015-02 | B26-060 SCREW |
| 37 | 2Q1-071-01 | CAGE SPRING |
| 38 | 2YZ-015-01 | ONE-WAY CLUTCH BEARING ASSEMBLY |
| 39 | 2F8-084-01 | CAGE |
| 40 | 2Z3-003-01 | ROLLER |
| 41 | 2A3-009-01 | ANTI-REVERSE RATCHET |
| 42 | 2F2-035-01 | ANTI-REVERSE PAWL |
| 43 | 2F5-260-01 | BEARING RETAINER |
| 44 | 2E1-068-01 | F30-100 SCREW |
| 45 | 2Z1-008-05 | 1020-5 BALL BEARING |
| 46 | 2G2-082-01 | PINION GEAR |

| Key NO. | Parts No. | Parts name |
|---------|------------|----------------------------------|
| 47 | 2YB-205-02 | BODY ASSEMBLY |
| 48 | 2A2-071-01 | ANTI-REVERSE CAM |
| 49 | 2Q3-009-01 | ANTI-REVERSE SPRING |
| 50 | 2A1-026-08 | ANTI-REVERSE LEVER |
| 51 | 2E2-013-04 | B20M-060 SCREW |
| 52 | 2G3-071-01 | OSCILLATING GEAR |
| 53 | 2M2-012-01 | OSCILLATING CAM |
| 54 | 2M1-056-01 | OSCILLATING SLIDER |
| 55 | 2E5-049-01 | OSCILLATING SLIDER RETAINER |
| 56 | 2E2-040-01 | b26M-060 SCREW |
| 57 | 2L2-014-01 | HIT AND RUN CLICK PAWL |
| 58 | 2E1-050-01 | A20-060 SCREW |
| 59 | 2Z1-035-05 | 917-5 BALL BEARING |
| 60 | 2G1-107-01 | DRIVE GEAR |
| 61 | 2W1-014-00 | 091-130 WASHER |
| 62 | 2L3-033-01 | CLICK LEAF SPRING |
| 63 | 2Q1-091-01 | CLUTCH PAWL SPRING |
| 64 | 2F6-108-01 | CLUTCH PAWL |
| 65 | 2F6-109-01 | CLUTCH PAWL RETAINER |
| 66 | 2Q3-078-01 | CLUTCH PAWL SPRING |
| 67 | 2YA-029-01 | HIT AND RUN LEVER SHAFT ASSEMBLY |
| 68 | 2Q3-110-01 | SPRING B |
| 69 | 2W1-180-01 | 112-190 WASHER |
| 70 | 2A3-032-01 | CLUTCH RATCHET |
| 71 | 2F3-054-01 | CLICK GEAR |
| 72 | 2W1-121-02 | 070-204 WASHER |
| 73 | 2W3-019-01 | EARED WASHER |
| 74 | 2Q1-002-01 | DRAG SPRING |
| 75 | 2D3-023-01 | PRESSURE SCREW |
| 76 | 2D2-011-01 | HIT AND RUN CONTROL NUT |
| 77 | 2E5-047-01 | CONTROL NUT RETAINER |
| 78 | 2B2-089-02 | CONTROL NUT RETAINER |
| 79 | 2E1-006-04 | A30-130 SCREW |
| 80 | 2YH-275-02 | HANDLE TOTAL ASSEMBLY |
| 81 | 2C3-047-01 | HANDLE SCREW SLEEVE |
| 82 | 2H6-002-10 | HANDLE SCREW CAP |
| 83 | 2E8-004-01 | STARWASHER |
| 84 | 2E2-039-01 | A26M-120 SCREW |
| 85 | 2W1-127-01 | 027-048 WASHER |
| 86 | 2D4-005-01 | HIT AND RUN LEVER ARM (L) |
| 87 | 2C3-026-03 | LEVER ARM SPACER |
| 88 | 2D4-006-01 | HIT AND RUN LEVER ARM (R) |
| 89 | 2F5-333-01 | REAR COVER |
| 90 | 2D1-053-03 | HIT AND RUN CONTROL KNOB |
| 91 | 2E0-016-02 | HIT AND RUN CONTROL KNOB SCREW |
| 92 | 2E1-010-01 | b30-100 SCREW |