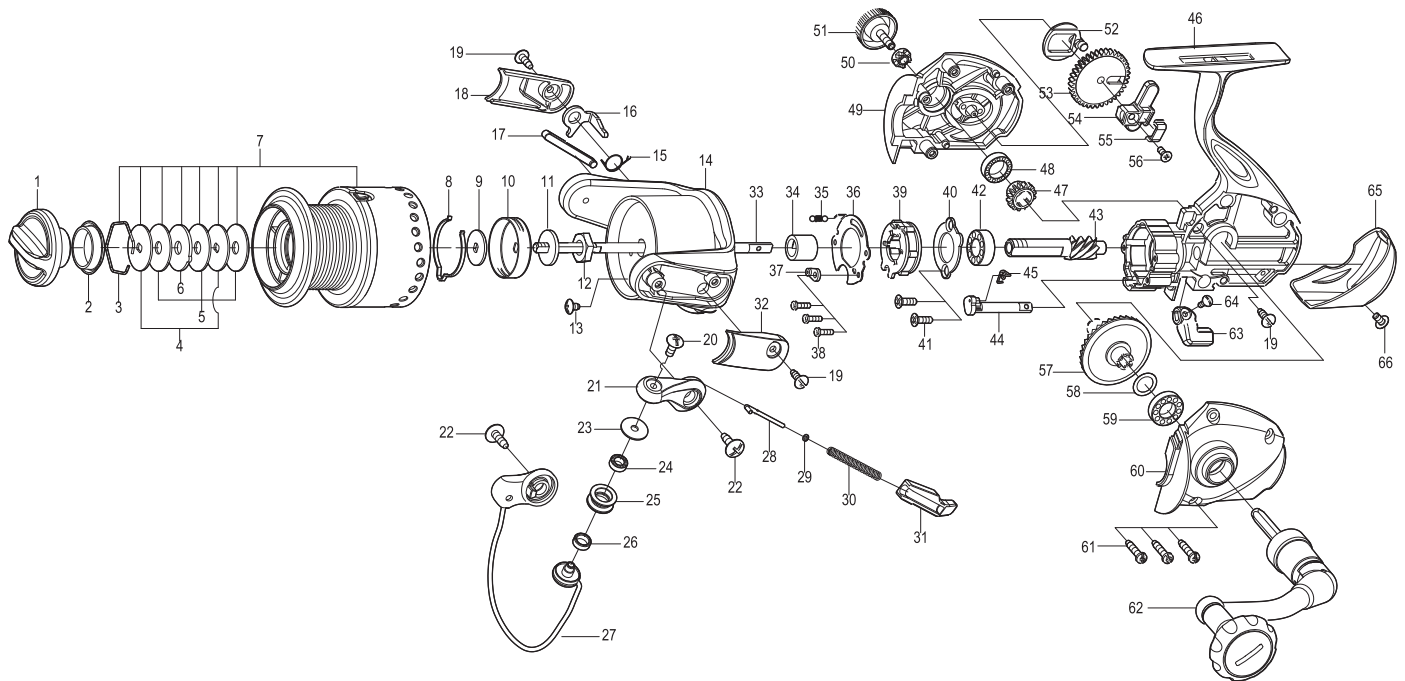




SPINNING REEL

GAINER

GA3000(C-R) / GA3500 (C-R)



Key NO.	Parts No.	Parts name	Key NO.	Parts No.	Parts name
1	2YD-054-08	DRAG KNOB ASSEMBLY	36	2F5-192-01	ROLLER CLUTCH RETAINER
2	2E9-019-01	PROOF WATER RING	37	2F8-079-01	ANTI-REVERSE SPRING ANCHOR
3	2E4-009-01	DRAG WASHER RETAINER	38	2E2-047-02	A20M-065 SCREW
4	2W2-013-02	KEY WASHER	39	2YZ-014-01	ONE-WAY CLUTCH BEARING ASSEMBLY
5	2W1-052-02	050-187 WASHER	40	2F5-193-01	BEARING RETAINER
6	2W3-014-01	EARED WASHER	41	2E2-052-02	F26M-080 SCREW
7	2YT-318-04	SPOOL TOTAL ASSEMBLY	42	2Z1-003-05	714-5 BALL BEARING
8	2L3-015-01	CLICK LEAF SPRING	43	2G2-042-01	PINION GEAR
9	2W2-020-01	KEY WASHER	44	2A2-031-01	ANTI-REVERSE CAM
10	2F8-019-02	CLICK LEAF SPRING HOLDER	45	2Q3-009-01	ANTI-REVERSE SPRING
11	2W2-015-01	KEY WASHER	46	2YB-219-03	BODY ASSEMBLY
12	2E3-007-01	ROTOR NUT	47	2G3-068-01	DRIVE PINION
13	2E1-036-01	B26-040 SCREW	48	2Z1-010-05	812-3.5 BALL BEARING
14	2R1-119-02	ROTOR	49	2B2-099-01	BODY COVER (R)
15	2Q3-108-01	BAIL SPRING	50	2C3-042-01	HANDLE SCREW SLEEVE
16	2R5-137-01	BAIL TRIP LEVER	51	2H6-001-12	HANDLE SCREW CAP
17	2R5-136-01	BAIL PAWL	52	2M2-016-01	OSCILLATING CAM
18	2R4-153-02	BAIL TRIP COVER	53	2G3-081-01	OSCILLATING GEAR
19	2E1-016-02	B26-080 SCREW	54	2M1-062-01	OSCILLATING SILDER
20	2E2-018-01	B30M-080 SCREW	55	2E5-051-01	OSCILLATING SILDER RETAINER
21	2R2-053-02	BAIL ARM	56	2E2-009-02	F23M-060 SCREW
22	2E1-010-01	b30-100 SCREW	57	2G1-128-01	DRIVE GEAR
23	2C1-034-01	LINE ROLLER COLLAR	58	2W1-019-00	071-103 WASHER
24	2Z1-012-05	407-2.5 BALL BEARING	59	2Z1-039-05	713-4 BALL BEARING
25	2R6-020-02	LINE ROLLER	60	2B2-098-01	BODY COVER (L)
26	2C2-032-01	LINE ROLLER BUSH	61	2E1-005-02	A26-120 SCREW
27	2YL-126-02	BAIL ASSEMBLY	62	2YH-321-01	HANDLE TOTAL ASSEMBLY
28	2R5-135-01	BAIL TRIP SHAFT	63	2A1-026-09	ANTI-REVERSE LEVER
29	2W1-199-01	015-027 WASHER	64	2E2-013-02	B20M-060 SCREW
30	2Q1-097-01	BAIL SPRING	65	2F5-360-02	BEAR COVER
31	2C2-106-01	BAIL SPRING GUIDE	66	2E2-055-01	B23M-050 SCREW
32	2R4-154-02	BAIL SPRING COVER	GA3500(C-R)	SPECIAL PARTS	
33	2M3-120-01	MAIN SHAFT	7	2YT-319-04	SPOOL TOTAL ASSEMBLY
34	2A4-021-01	ONE-WAY CLUTCH INNER TUBE	8	2L3-014-01	CLICK LEAF SPRING
35	2Q2-016-01	SPRING	10	2F8-013-01	CLICK LEAF SPRING HOLDER