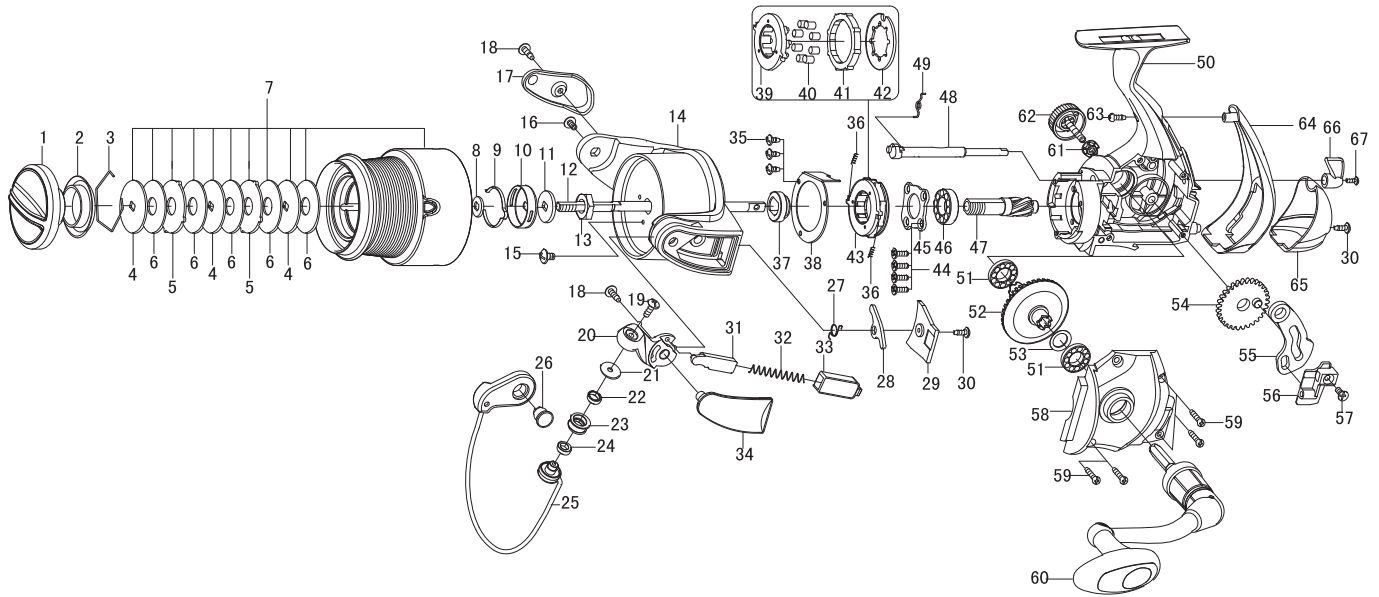




SPINNING REEL

GS6000R/M / GS6000R/HM



Key NO.	Parts No.	Parts name	Key NO.	Parts No.	Parts name
1	2YD-049-03	DRAG KNOB ASSEMBLY	36	2Q1-071-01	CAGE SPRING
2	2E9-015-01	PROOF WATER RING	37	2A4-019-01	ONE-WAY CLUTCH INNER TUBE
3	2E4-003-01	DRAG WASHER RETAINER	38	2F5-196-01	ROLLER CLUTCH RETAINER
4	2W2-048-01	KEY WASHER	39	2F8-084-01	CAGE
5	2W3-027-01	EARED WASHER	40	2Z3-003-01	ROLLER
6	2W1-175-01	100-300 WASHER	41	2A3-009-01	ANTI-REVERSE RATCHET
7	2YT-404-03	SPOOL TOTAL ASSEMBLY	42	2F2-035-01	ANTI-REVERSE PAWL
8	2W2-011-01	KEY WASHER	43	2YZ-015-01	ONE-WAY CLUTCH BEARING ASSEMBLY
9	2L3-015-01	CLICK LEAF SPRING	44	2E1-063-01	F26-070 SCREW
10	2F8-019-01	CLICK LEAF SPRING HOLDER	45	2F5-178-01	BEARING RETAINER
11	2W2-019-01	KEY WASHER	46	2Z1-008-05	1020-5 BALL BEARING
12	2M3-068-01	MAIN SHAFT	47	2G2-057-01	PINION GEAR
13	2E3-003-01	ROTOR NUT	48	2A2-066-01	ANTI-REVERSE CAM
14	2R1-069-03	ROTOR	49	2Q3-072-01	ANTI-REVERSE SPRING
15	2E1-019-01	D26-060 SCREW	50	2B1-082-03	BODY
16	2E2-004-01	B30M-060 SCREW	51	2Z1-007-05	917-4 BALL BEARING
17	2R4-091-03	BAIL TRIP COVER	52	2G1-052-02	DRIVE GEAR
18	2E1-011-01	B30-100 SCREW	53	2W1-014-01	091-130 WASHER
19	2E2-007-01	B30M-100 SCREW	54	2G3-045-01	OSCILLATING GEAR
20	2R2-030-01	BAIL ARM	55	2M2-008-01	OSCILLATING SLIDER CRANK
21	2C1-049-01	LINE ROLLER COLLAR	56	2M1-041-01	OSCILLATING SLIDER
22	2Z1-001-05	508-2.5 BALL BEARING	57	2E2-056-01	F30M-060 SCREW
23	2R6-018-01	LINE ROLLER	58	2B2-051-03	BODY COVER
24	2C1-068-01	COLLAR	59	2E1-006-02	A30-130 SCREW
25	2YL-080-01	BAIL ASSEMBLY	60	2YH-249-02	HANDLE TOTAL ASSEMBLY
26	2E3-015-02	BAIL HOLDER NUT	61	2C3-047-01	HANDLE SCREW SLEEVE
27	2Q3-056-01	BAIL TRIP LEVER SPRING	62	2H6-002-09	HANDLE SCREW CAP
28	2R5-087-01	BAIL TRIP LEVER	63	2E1-055-01	A26-100 SCREW
29	2F5-217-03	ROTOR COVER	64	2F5-219-02	REAR COVER A
30	2E1-016-02	B26-080 SCREW	65	2F5-220-01	REAR COVER B
31	2R5-088-01	BAIL TRIP SHAFT	66	2A1-025-03	ANTI-REVERSE LEVER
32	2Q1-066-01	BAIL SPRING	67	2E2-013-02	B20M-060 SCREW
33	2C2-068-01	BAIL SPRING GUIDE			
34	2R4-092-03	BAIL SPRING COVER	GS6000R/HM	SPECIAL PARTS	
35	2E1-015-02	B26-060 SCREW	47	2G2-070-01	PINION GEAR
			52	2G1-053-02	DRIVE GEAR