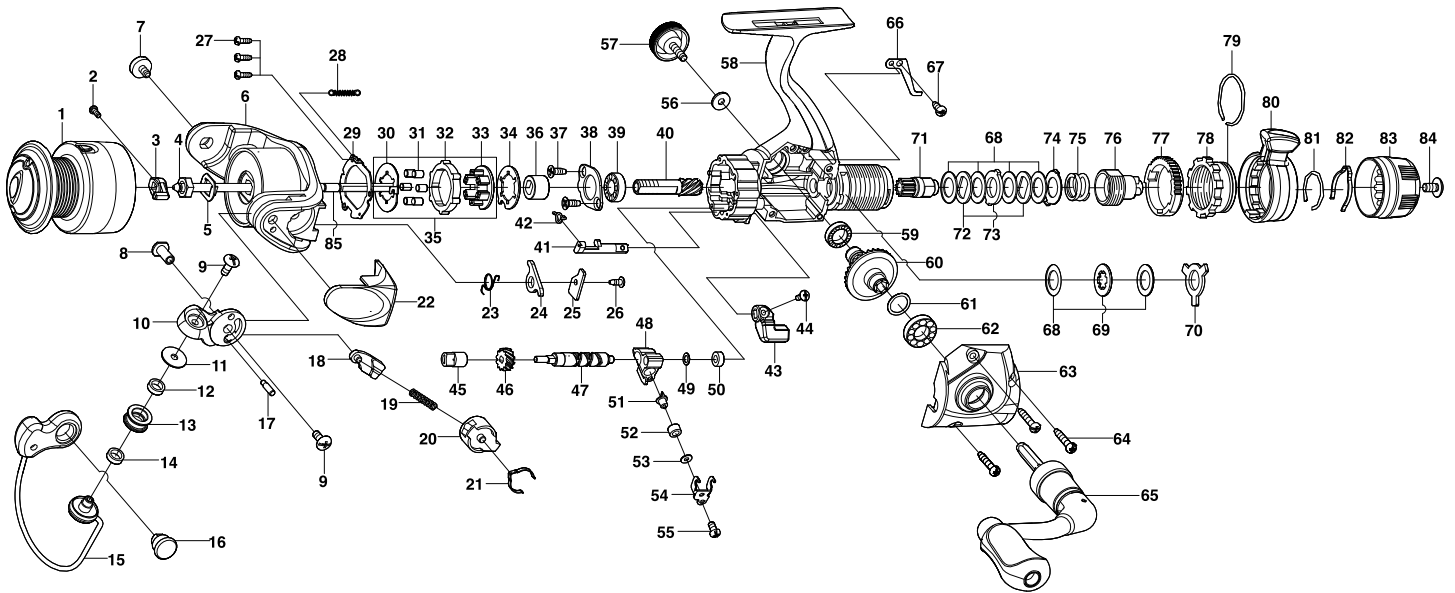


## SPINNING REEL

Please order by parts number, not key number  
 Bitte, Best.-Nr. angeben (Nicht "key" -nr.)  
 Veuillez indiquer le numero de la piece (Non "key" no.)

## LI2059/2559



Key NO.	Parts No.	Parts name	Key NO.	Parts No.	Parts name
1	2YT-253-03	SPOOL TOTAL ASSEMBLY	45	2C2-087-01	WORM SHAFT BUSHING
2	2E2-016-01	A26M-040 SCREW	46	2G3-042-01	OSCILLATING GEAR
3	2C3-039-01	SPOOL METAL	47	2M4-023-02	WORM SHAFT
4	2E3-001-01	ROTOR NUT	48	2M1-040-01	OSCILLATING SLIDER
5	2C3-027-01	ROTOR NUT RETAINER	49	2W1-058-02	030-050 WASHER
6	2R1-097-03	ROTOR	50	2C1-048-01	WORM SHAFT COLLAR
7	2E0-008-01	BAIL HOLDER SCREW	51	2M5-007-01	LINE GUIDE PIN
8	2E3-040-02	SHAFT NUT	52	2C2-034-01	LINE GUIDE PIN BUSH
9	2E2-018-01	B30M-080 SCREW	53	2W1-059-01	020-049 WASHER
10	2R2-041-06	BAIL ARM	54	2E5-029-01	OSCILLATING SLIDER RETAINER
11	2C1-034-01	LINE ROLLER COLLAR	55	2E2-040-01	b26M-060 SCREW
12	2C2-072-01	LINE ROLLER BUSH	56	2W1-004-01	029-080 WASHER
13	2R6-020-02	LINE ROLLER	57	2H6-001-14	HANDLE SCREW CAP
14	2C2-032-01	LINE ROLLER BUSH	58	2B1-079-03	BODY
15	2YL-112-03	BAIL ASSEMBLY	59	2Z1-009-07	711-3 BALL BEARING
16	2E3-019-01	BAIL HOLDER NUT	60	2G1-049-01	DRIVE GEAR
17	2P1-032-01	BAIL ARM PIN	61	2W1-019-00	071-103 WASHER
18	2R5-117-01	BAIL TRIP SHAFT	62	2Z1-039-07	713-4 BALL BEARING
19	2Q1-073-01	BAIL SPRING	63	2B2-050-01	BODY COVER
20	2C2-088-01	BAIL SPRING GUIDE	64	2E1-031-01	A26-140 SCREW
21	2L3-030-01	CLICK LEAF SPRING	65	2YH-318-01	HANDLE TOTAL ASSEMBLY
22	2R4-119-01	BAIL SPRING COVER SPACER	66	2L2-010-01	CLICK PAWL
23	2Q3-056-01	BAIL TRIP LEVER SPRING	67	2E1-060-01	A26-060 SCREW
24	2R5-105-01	BAIL TRIP LEVER	68	2W1-102-01	082-132 WASHER
25	2W5-037-01	SPACER	69	2W5-045-01	DRAG PLATE
26	2E1-020-02	B22-055 SCREW	70	2W5-022-01	EARED WASHER
27	2E1-050-01	A20-060 SCREW	71	2F3-049-01	CLICK GEAR
28	2Q2-016-01	SPRING	72	2W2-026-01	KEY WASHER
29	2F5-213-01	ROLLER CLUTCH RETAINER	73	2W3-021-01	EARED WASHER
30	2F2-030-01	ANTI-REVERSE PAWL	74	2W3-015-01	EARED WASHER
31	2Z3-001-01	ROLLER	75	2Q1-045-01	DRAG SPRING
32	2A3-008-01	ANTI-REVERSE RATCHET	76	2D2-002-01	DRAG SCREW
33	2F8-080-01	CAGE	77	2F3-030-01	FIGHTING LEVER CLICK GEAR
34	2F2-037-01	ANTI-REVERSE PAWL	78	2D3-021-01	LEVER BRAKE
35	2YZ-019-01	ONE-WAY CLUTCH BEARING ASSEMBLY	79	2E4-014-01	RETAINER
36	2A4-054-01	ONE-WAY CLUTCH INNER TUBE	80	2YD-032-04	FIGHTING LEVER ASSEMBLY
37	2E1-063-01	F26-070 SCREW	81	2E4-006-01	DRAG WASHER RETAINER
38	2F5-212-01	BEARING RETAINER	82	2L3-020-01	CLICK LEAF SPRING
39	2Z1-019-07	612-4 BALL BEARING	83	2D1-033-03	DRAG KNOB
40	2G2-058-01	PINION GEAR	84	2E2-015-02	B35M-060 SCREW
41	2A2-052-01	ANTI-REVERSE CAM	85	2M3-076-01	MAIN SHAFT
42	2Q3-102-01	ANTI-REVERSE SPRING	GC2559	SPECIAL PARTS	
43	2A1-026-12	ANTI-REVERSE LEVER	1	2YT-254-03	SPOOL TOTAL ASSEMBLY
44	2E2-013-02	B20M-060 SCREW			