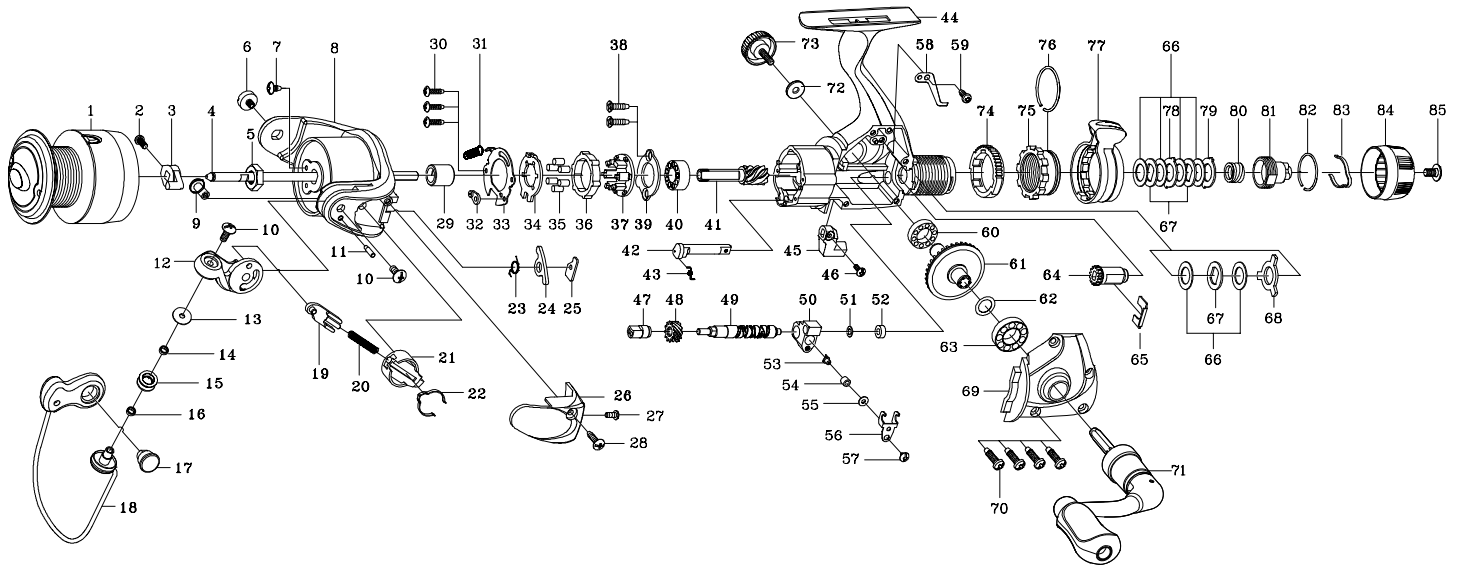


SPINNING REEL

Please order by parts number, not key number
Bitte, Best.-Nr. angeben (Nicht "key" -nr.)
Veuillez indiquer le numero de la pièce (Non "key" no.)

LI3059/LI3559



Key NO.	Parts No.	Parts name	Key NO.	Parts No.	Parts name
1	2YT-169-03	SPOOL ASSEMBLY	47	2C2-054-01	WORM SHAFT BUSH
2	2E2-037-01	A26M-060 SCREW	48	2G3-020-01	WORM SHAFT GEAR
3	2C3-021-01	SPOOL METAL	49	2M4-010-02	WORM SHAFT
4	2M3-042-01	MAIN SHAFT	50	2M1-026-01	OSCILLATING SLIDER
5	2E3-007-01	ROTOR NUT	51	2W1-058-02	030-050 WASHER
6	2E0-008-01	BAIL HOLDER SCREW	52	2C1-048-01	WORM SHAFT COLLAR
7	2E1-036-01	B26-040 SCREW	53	2M5-001-01	LINE GUIDE PIN
8	2R1-089-06	ROTOR	54	2C2-034-01	LINE GUIDE PIN BUSH
9	2E3-040-02	SHAFT NUT	55	2W1-059-01	020-049 WASHER
10	2E2-018-01	B30M-080 SCREW	56	2E5-015-01	OSCILLATING SLIDER RETAINER
11	2P1-032-01	BAIL ARM PIN	57	2E2-040-01	b26M-060 SCREW
12	2R2-038-08	BAIL ARM	58	2L2-010-01	CLICK PAWL
13	2C1-034-01	LINE ROLLER COLLAR	59	2E1-060-01	A26-060 SCREW
14	2C2-072-01	LINE ROLLER BUSH	60	2Z1-009-07	711-3 BALL BEARING
15	2R6-020-02	LINE ROLLER	61	2G1-026-01	DRIVE GEAR
16	2C2-032-01	LINE ROLLER BUSH	62	2W1-035-00	080-105 WASHER
17	2E3-019-01	BAIL HOLDER NUT	63	2Z1-004-07	814-3.5 BALL BEARING
18	2YL-097-04	BAIL ASSEMBLY	64	2F3-010-01	CLICK GEAR
19	2R5-109-01	BAIL TRIP SHAFT	65	2E5-016-01	CLICK GEAR RETAINER
20	2Q1-076-01	BAIL SPRING	66	2W1-102-01	082-132 WASHER
21	2C2-083-01	BAIL SPRING GUIDE	67	2W2-026-01	KEY WASHER
22	2L3-029-01	CLICK LEAF SPRING	68	2W5-022-01	EARED WASHER
23	2Q3-056-01	BAIL TRIP LEVER SPRING	69	2B2-030-04	BODY COVER
24	2R5-110-01	BAIL TRIP LEVER	70	2E1-031-01	A26-140 SCREW
25	2W5-037-01	SPACER	71	2YH-323-01	HANDLE ASSEMBLY
26	2R4-111-01	BAIL SPRING COVER	72	2W1-004-01	029-080 WASHER
27	2E1-048-01	B22-080 SCREW	73	2H6-001-14	HANDLE SCREW CAP
28	2E1-046-01	B26-110 SCREW	74	2F3-030-01	HANDLE CLICK GEAR
29	2A4-021-01	ONE-WAY CLUTCH INNER TUBE	75	2D3-021-01	LEVER BRAKE
30	2E1-029-01	B22-090 SCREW	76	2E4-014-01	RETAINER
31	2Q2-016-01	SPRING	77	2YD-032-04	LEVER BRAKE ASSEMBLY
32	2F8-079-01	ANTI-REVERSE SPRING ANCHOR	78	2W3-021-01	EARED WASHER
33	2F5-205-01	ROLLER CLUTCH RETAINER	79	2W3-015-01	EARED WASHER
34	2F2-026-01	ANTI-REVERSE PAWL	80	2Q1-045-01	DRAG SPRING
35	2Z3-001-01	ROLLER	81	2D2-002-01	DRAG SCREW
36	2A3-008-01	ANTI-REVERSE RATCHET	82	2E4-006-01	DRAG WASHER RETAINER
37	2F8-078-01	CAGE	83	2L3-020-01	CLICK RING PLATE
38	2E1-067-01	F26-090 SCREW	84	2D1-033-03	DRAG KNOB
39	2F5-193-01	BEARING RETAINER	85	2E2-015-02	B35M-060 SCREW
40	2Z1-003-07	714-5 BALL BEARING	LI3559	SPECIAL PARTS	
41	2G2-042-02	PINION GEAR	1	2YT-170-04	SPOOL ASSEMBLY
42	2A2-031-01	ANTI-REVERSE CAM	8	2R1-090-06	ROTOR
43	2Q3-009-01	ANTI-REVERSE SPRING	18	2YL-098-04	BAIL ASSEMBLY
44	2B1-039-06	BODY	24	2R5-111-01	BAIL TRIP LEVER
45	2A1-026-12	ANTI-REVERSE LEVER	26	2R4-112-01	BAIL SPRING COVER
46	2E2-013-02	B20M-060 SCREW			