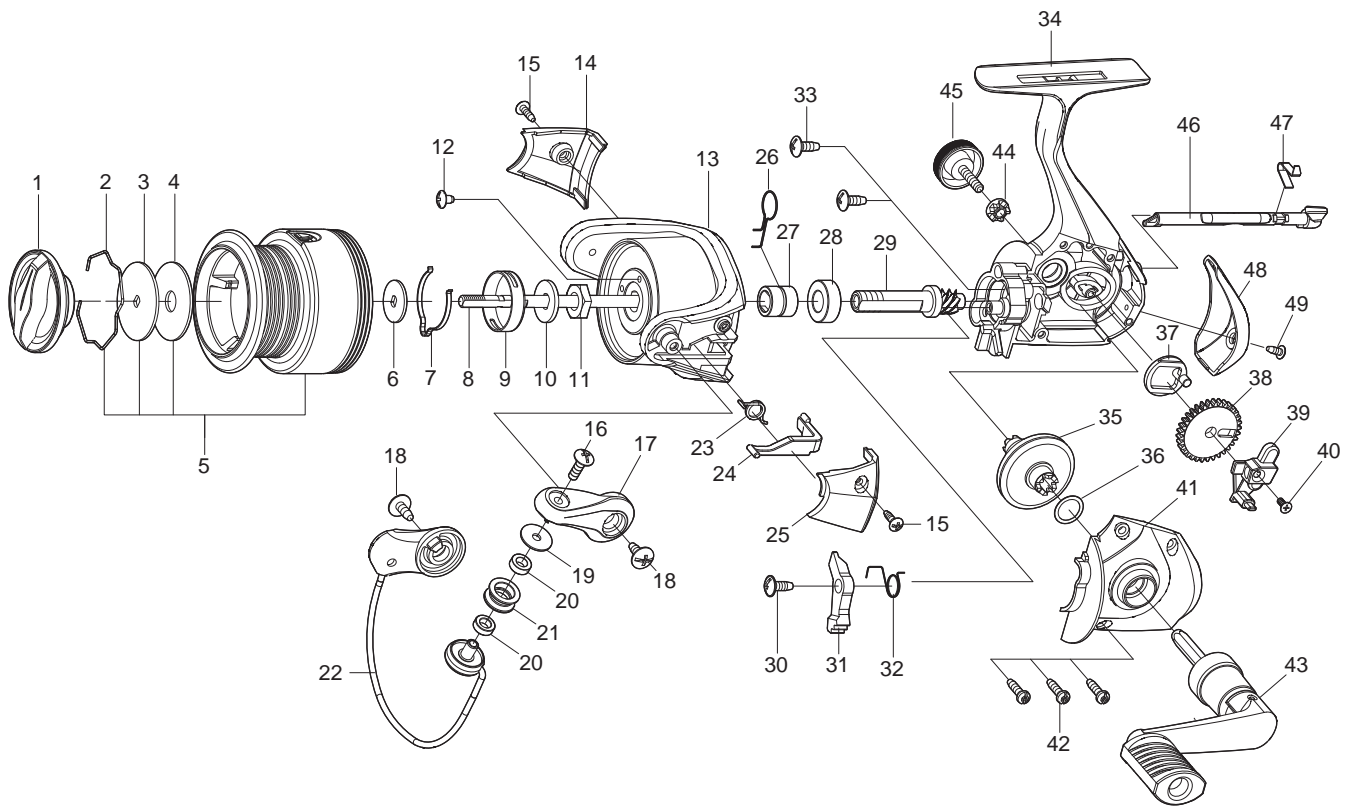




SPINNING REEL CAMBRIA EG2000 / EG2500



Key NO.	Parts No.	Parts name	Key NO.	Parts No.	Parts name
1	2YD-094-01	DRAG KNOB ASSEMBLY	27	2C3-059-01	ANTI-REVERSE PAWL SPRING COLLAR
2	2E4-034-01	DRAG WASHER RETAINER	28	2Z1-003-07	714-5 BALL BEARING
3	2W2-071-01	KEY WASHER	29	2G2-148-01	PINION GEAR
4	2W1-226-01	080-260 WASHER	30	2E1-051-01	D30-080 SCREW
5	2YT-409-01	SPOOL TOTAL ASSEMBLY	31	2A4-077-01	ANTI-REVERSE PAWL
6	2W2-020-01	KEY WASHER	32	2Q3-112-01	ANTI-REVERSE PAWL SPRING
7	2L3-014-01	CLICK LEAF SPRING	33	2E1-037-01	B30-080 SCREW
8	2M3-133-01	MAIN SHAFT	34	2YB-232-51	BODY ASSEMBLY
9	2F8-013-01	CLICK LEAF SPRING HOLDER	35	2G1-139-01	DRIVE GEAR
10	2W2-015-01	KEY WASHER	36	2W1-035-00	080-105 WASHER
11	2E3-007-01	ROTOR NUT	37	2M2-018-01	OSCILLATING CAM
12	2E1-036-01	B26-040 SCREW	38	2G3-084-01	OSCILLATING GEAR
13	2R1-134-01	ROTOR	39	2M1-067-01	OSCILLATING SLIDER
14	2R4-178-01	BAIL TRIP COVER	40	2E2-030-02	F20M-050 SCREW
15	2E1-020-02	B22-055 SCREW	41	2YC-109-01	BODY COVER ASSEMBLY
16	2E2-094-01	B30M-090 SCREW	42	2E1-055-01	A26-100 SCREW
17	2R2-061-01	BAIL ARM	43	2YH-365-01	HANDLE TOTAL ASSEMBLY
18	2E1-025-01	b30-080 SCREW	44	2C3-042-01	HANDLE SCREW SLEEVE
19	2C1-034-01	LINE ROLLER COLLAR	45	2H6-001-13	HANDLE SCREW CAP
20	2C1-120-01	COLLAR	46	2A2-094-01	ANTI-REVERSE CAM
21	2R6-020-02	LINE ROLLER	47	2L5-010-01	ANTI-REVERSE CAM SPRING
22	2YL-144-01	BAIL ASSEMBLY	48	2F5-402-01	REAR COVER
23	2Q1-051-02	BAIL SPRING	49	2E1-020-02	B22-055 SCREW
24	2R5-161-01	BAIL TRIP LEVER	EG2500	SPECIAL PARTS	
25	2R4-179-01	BAIL SPRING COVER	5	2YT-442-01	SPOOL TOTAL ASSEMBLY
26	2Q3-113-01	ANTI-REVERSE PAWL SPRING			