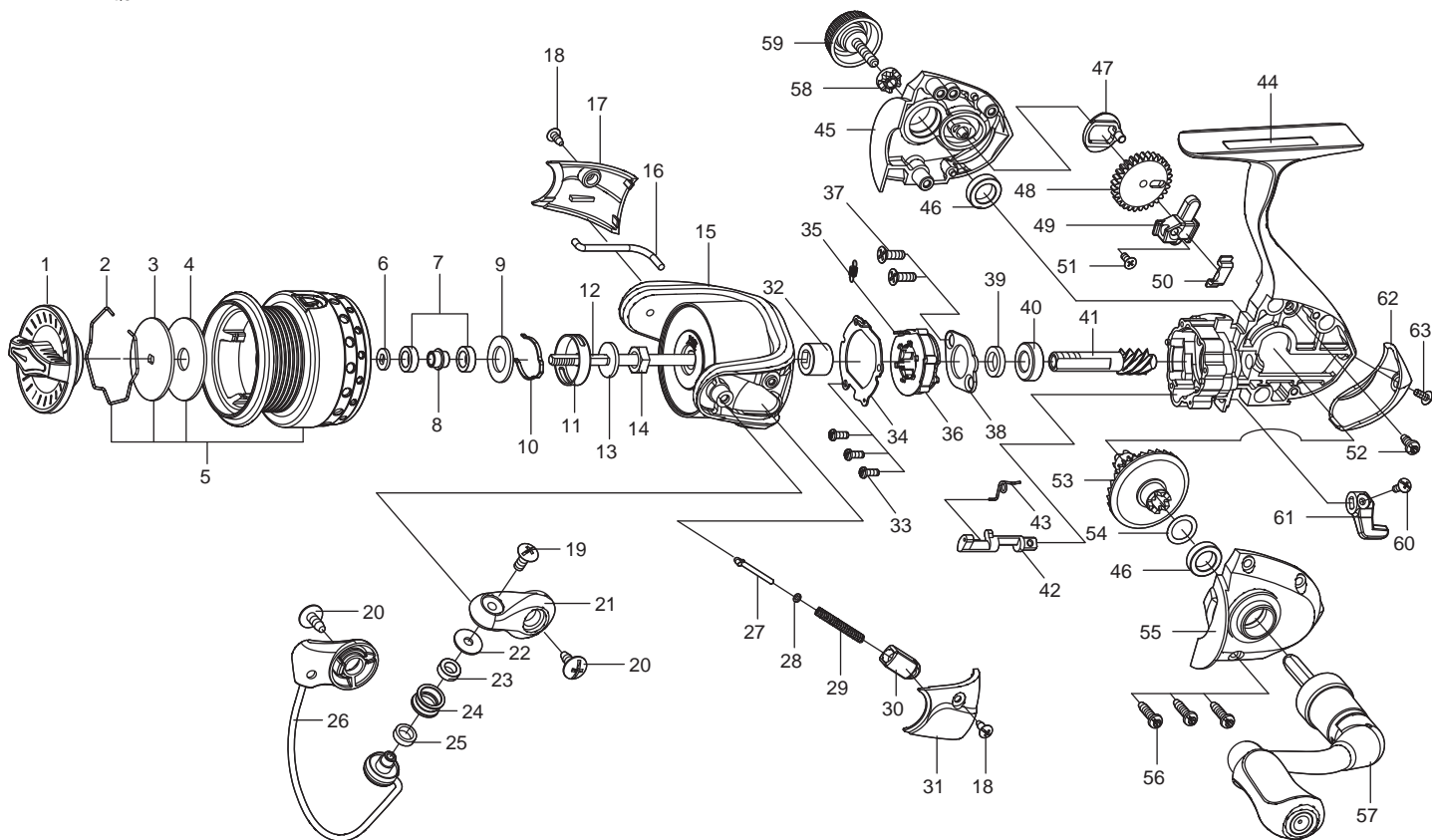




SPINNING REEL

DYNASPIN

GH1000(I) / GH1500(I)



Key NO.	Parts No.	Parts name	Key NO.	Parts No.	Parts name
1	2YD-096-01	DRAG KNOB ASSEMBLY	34	2F5-398-01	ROLLER CLUTCH RETAINER
2	2E4-034-01	DRAG WASHER RETAINER	35	2Q2-016-01	SPRING
3	2W2-078-01	KEY WASHER	36	2YZ-023-01	ONE-WAY CLUTCH BEARING ASSEMBLY
4	2W1-226-01	080-260 WASHER	37	2E2-052-02	F26M-080 SCREW
5	2YT-444-01	SPOOL TOTAL ASSEMBLY	38	2F5-212-01	BEARING RETAINER
6	2W2-079-01	KEY WASHER	39	2C1-090-01	COLLAR
7	2Z1-001-05	508-2.5 BALL BEARING	40	2Z1-019-05	612-4 BALL BEARING
8	2C1-118-01	SPACER	41	2G2-156-01	PINION GESR
9	2W1-250-01	081-145 WASHER	42	2A2-097-01	ANTI-REVERSE CAM
10	2L3-025-01	CLICK LEAF SPRING	43	2Q3-102-01	ANTI-REVERSE SPRING
11	2F8-063-02	CLICK LEAF SPRING HOLDER	44	2YB-234-01	BODY ASSEMBLY
12	2M3-142-01	MAIN SHAFT	45	2B2-113-01	BODY COVER (R)
13	2W2-056-01	KEY WASHER	46	2Z1-009-05	711-3 BALL BEARING
14	2E3-062-01	ROTOR NUT	47	2M2-023-01	OSCILLATING CAM
15	2R1-138-01	ROTOR	48	2G3-091-01	OSCILLATING GEAR
16	2R5-166-01	BAIL PAWL	49	2M1-068-01	OSCILLATING SILDER
17	2R4-187-01	BAIL TRIP COVER	50	2E5-060-01	OSCILLATING SLIDER RETAINER
18	2E1-020-03	B22-055 SCREW	51	2E2-030-02	F20M-050 SCREW
19	2E2-018-04	B30M-080 SCREW	52	2E1-060-01	A26-060 SCREW
20	2E1-025-03	b30-080 SCREW	53	2G1-142-01	DRIVE GEAR
21	2R2-069-01	BAIL ARM	54	2W1-019-00	071-103 WASHER
22	2C1-056-01	LINE ROLLER COLLAR	55	2B2-114-01	BODY COVER (L)
23	2Z1-012-05	407-2.5 BALL BEARING	56	2E1-055-02	A26-100 SCREW
24	2R6-012-02	LINE ROLLER	57	2YH-336-01	HANDLE TOTAL ASSEMBLY
25	2C2-032-01	LINE ROLLER BUSH	58	2C3-042-01	HANDLE SCREW SLEEVE
26	2YL-157-01	BAIL ASSEMBLY	59	2H6-017-02	HANDLE SCREW CAP
27	2R5-165-01	BAIL TRIP SHAFT	60	2E2-013-02	B20M-060 SCREW
28	2W1-199-01	015-027 WASHER	61	2A1-034-02	ANTI-REVERSE LEVER
29	2Q1-117-01	BAIL SPRING	62	2F5-412-01	REAR COVER
30	2C2-121-01	BAIL SPRING GUIDE	63	2E2-092-02	B20M-050 SCREW
31	2R4-186-01	BAIL SPRING COVER	GH1500(I)	SPECIAL PARTS	
32	2A4-054-01	ONE-WAY CLUTCH INNER TUBE	5	2YT-412-01	SPOOL TOTAL ASSEMBLY
33	2E2-044-01	A20M-050 SCREW			