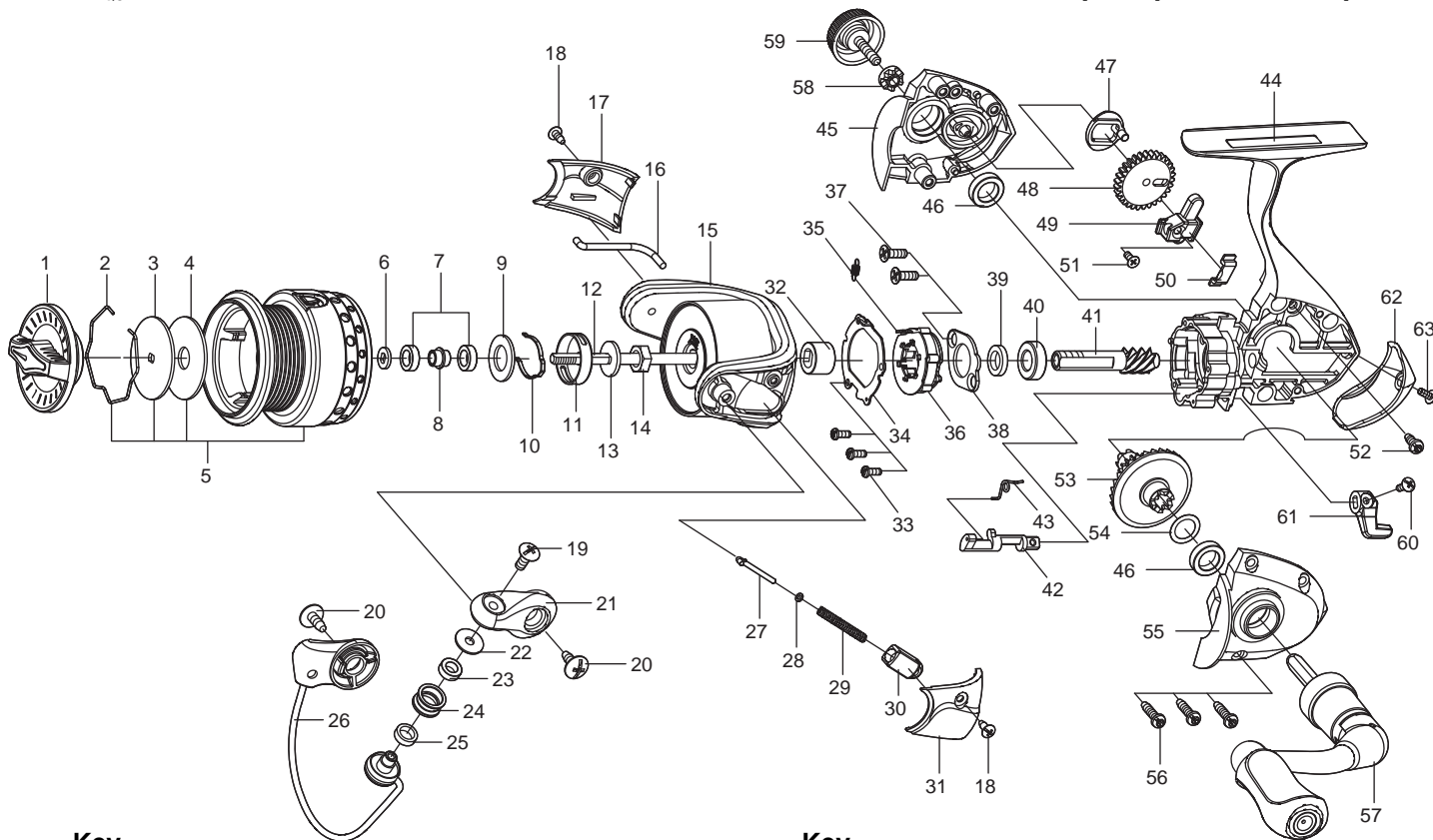




SPINNING REEL

DYNASPIN

GH1000(P-G) / GH1000(P-BL)
 GH1500(P-G) / GH1500(P-BL)



Key NO.

Parts No.

Parts name

Key NO.

Parts No.

Parts name

1	2YD-096-02	DRAG KNOB ASSEMBLY
2	2E4-034-01	DRAG WASHER RETAINER
3	2W2-078-01	KEY WASHER
4	2W1-226-01	080-260 WASHER
5	2YT-444-02	SPOOL TOTAL ASSEMBLY
6	2W2-079-01	KEY WASHER
7	2Z1-001-05	508-2.5 BALL BEARING
8	2C1-118-01	SPACER
9	2W1-250-01	081-145 WASHER
10	2L3-025-01	CLICK LEAF SPRING
11	2F8-063-02	CLICK LEAF SPRING HOLDER
12	2M3-142-01	MAIN SHAFT
13	2W2-056-01	KEY WASHER
14	2E3-062-01	ROTOR NUT
15	2R1-138-02	ROTOR
16	2R5-166-01	BAIL PAWL
17	2R4-187-02	BAIL TRIP COVER
18	2E1-020-02	B22-055 SCREW
19	2E2-018-03	B30M-080 SCREW
20	2E1-025-01	b30-080 SCREW
21	2R2-069-02	BAIL ARM
22	2C1-056-01	LINE ROLLER COLLAR
23	2Z1-012-05	407-2.5 BALL BEARING
24	2R6-012-01	LINE ROLLER
25	2C2-032-01	LINE ROLLER BUSH
26	2YL-157-02	BAIL ASSEMBLY
27	2R5-165-01	BAIL TRIP SHAFT
28	2W1-199-01	015-027 WASHER
29	2Q1-117-01	BAIL SPRING
30	2C2-121-01	BAIL SPRING GUIDE
31	2R4-186-02	BAIL SPRING COVER
32	2A4-054-01	ONE-WAY CLUTCH INNER TUBE
33	2E2-044-01	A20M-050 SCREW
34	2F5-398-01	ROLLER CLUTCH RETAINER
35	2Q2-016-01	SPRING
36	2YZ-023-01	ONE-WAY CLUTCH BEARING ASSEMBLY
37	2E2-052-02	F26M-080 SCREW
38	2F5-212-01	BEARING RETAINER
39	2C1-090-01	COLLAR
40	2Z1-019-05	612-4 BALL BEARING
41	2G2-156-01	PINION GESR

42	2A2-097-01	ANTI-REVERSE CAM
43	2Q3-102-01	ANTI-REVERSE SPRING
44	2YB-234-02	BODY ASSEMBLY
45	2B2-113-02	BODY COVER (R)
46	2Z1-009-05	711-3 BALL BEARING
47	2M2-023-01	OSCILLATING CAM
48	2G3-091-01	OSCILLATING GEAR
49	2M1-068-01	OSCILLATING SLIDER
50	2E5-060-01	OSCILLATING SLIDER RETAINER
51	2E2-030-02	F20M-050 SCREW
52	2E1-060-01	A26-060 SCREW
53	2G1-142-01	DRIVE GEAR
54	2W1-019-00	071-103 WASHER
55	2B2-114-02	BODY COVER (L)
56	2E1-055-01	A26-100 SCREW
57	2YH-336-01	HANDLE TOTAL ASSEMBLY
58	2C3-042-01	HANDLE SCREW SLEEVE
59	2H6-017-02	HANDLE SCREW CAP
60	2E2-013-02	B20M-060 SCREW
61	2A1-034-03	ANTI-REVERSE LEVER
62	2F5-412-02	REAR COVER
63	2E2-092-01	B20M-050 SCREW
GH1000(P-BL) SPECIAL PARTS		
1	2YD-096-03	DRAG KNOB ASSEMBLY
5	2YT-444-03	SPOOL TOTAL ASSEMBLY
17	2R4-187-03	BAIL TRIP COVER
24	2R6-012-02	LINE ROLLER
26	2YL-157-03	BAIL ASSEMBLY
31	2R4-186-03	BAIL SPRING COVER
62	2F5-412-03	REAR COVER
GH1500(P-G) SPECIAL PARTS		
5	2YT-412-02	SPOOL TOTAL ASSEMBLY
GH1500(P-BL) SPECIAL PARTS		
1	2YD-096-03	DRAG KNOB ASSEMBLY
5	2YT-412-03	SPOOL TOTAL ASSEMBLY
17	2R4-187-03	BAIL TRIP COVER
24	2R6-012-02	LINE ROLLER
26	2YL-157-03	BAIL ASSEMBLY
31	2R4-186-03	BAIL SPRING COVER
62	2F5-412-03	REAR COVER