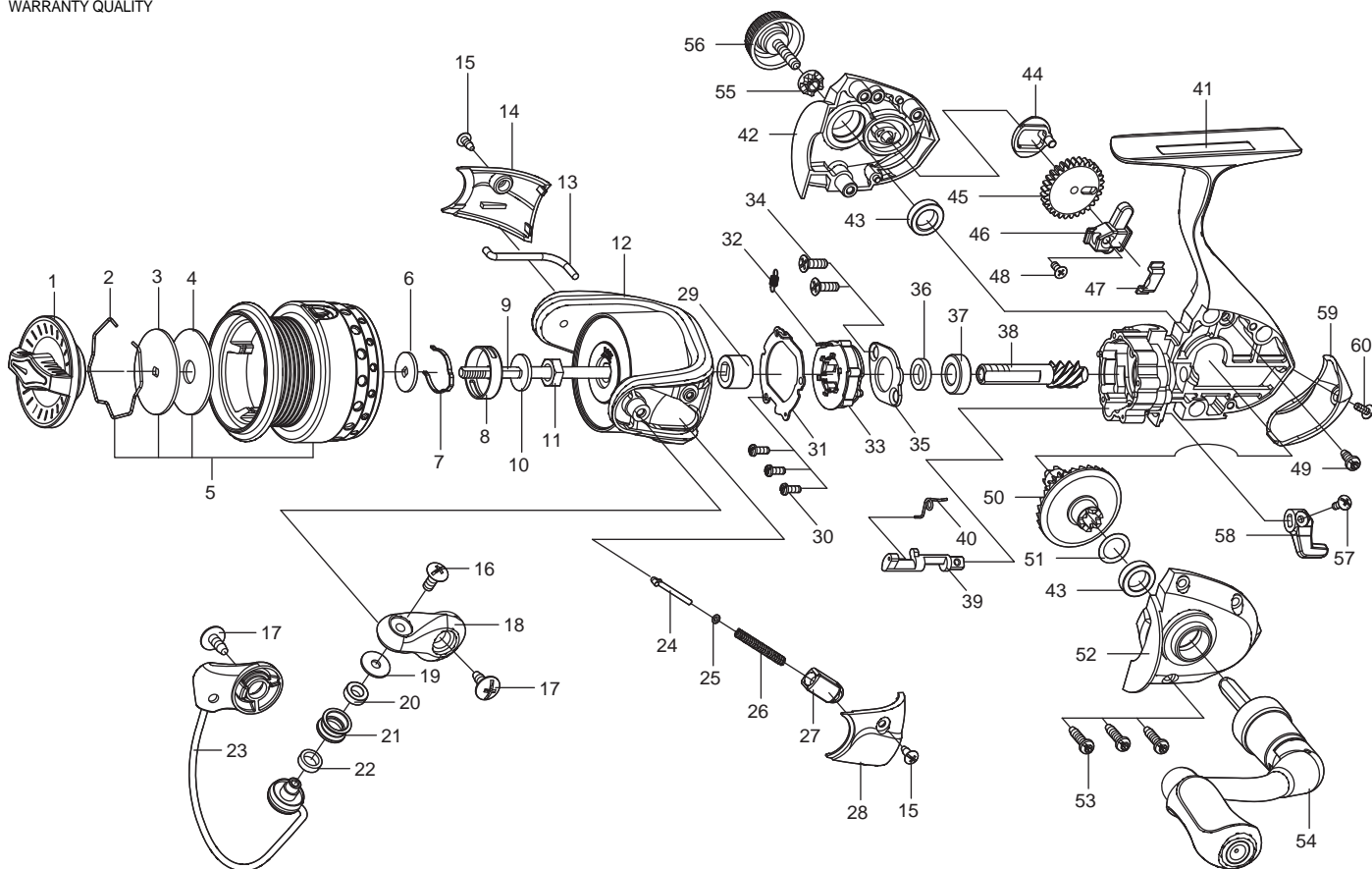




SPINNING REEL

DYNASPIN

GQ1000 / GQ1500



Key NO.	Parts No.	Parts name	Key NO.	Parts No.	Parts name
1	2YD-096-04	DRAG KNOB ASSEMBLY	32	2Q2-016-01	SPRING
2	2E4-034-01	DRAG WASHER RETAINER	33	2YZ-023-01	ONE-WAY CLUTCH BEARING ASSEMBLY
3	2W2-078-01	KEY WASHER	34	2E2-052-02	F26M-080 SCREW
4	2W1-226-01	080-260 WASHER	35	2F5-212-01	BEARING RETAINER
5	2YT-444-04	SPOOL TOTAL ASSEMBLY	36	2C1-090-01	COLLAR
6	2W2-055-01	KEY WASHER	37	2Z1-019-05	612-4 BALL BEARING
7	2L3-025-01	CLICK LEAF SPRING	38	2G2-156-01	PINION GESR
8	2F8-063-02	CLICK LEAF SPRING HOLDER	39	2A2-097-01	ANTI-REVERSE CAM
9	2M3-142-01	MAIN SHAFT	40	2Q3-102-01	ANTI-REVERSE SPRING
10	2W2-056-01	KEY WASHER	41	2YB-234-03	BODY ASSEMBLY
11	2E3-062-01	ROTOR NUT	42	2B2-113-03	BODY COVER (R)
12	2R1-138-03	ROTOR	43	2Z1-009-05	711-3 BALL BEARING
13	2R5-166-01	BAIL PAWL	44	2M2-023-01	OSCILLATING CAM
14	2R4-187-01	BAIL TRIP COVER	45	2G3-091-01	OSCILLATING GEAR
15	2E1-020-02	B22-055 SCREW	46	2M1-068-01	OSCILLATING SILDER
16	2E2-018-03	B30M-080 SCREW	47	2E5-060-01	OSCILLATING SLIDER RETAINER
17	2E1-025-01	b30-080 SCREW	48	2E2-030-02	F20M-050 SCREW
18	2R2-069-03	BAIL ARM	49	2E1-060-01	A26-060 SCREW
19	2C1-056-01	LINE ROLLER COLLAR	50	2G1-142-01	DRIVE GEAR
20	2Z1-012-05	407-2.5 BALL BEARING	51	2W1-019-00	071-103 WASHER
21	2R6-012-02	LINE ROLLER	52	2B2-114-03	BODY COVER (L)
22	2C2-032-01	LINE ROLLER BUSH	53	2E1-055-01	A26-100 SCREW
23	2YL-157-04	BAIL ASSEMBLY	54	2YH-336-01	HANDLE TOTAL ASSEMBLY
24	2R5-165-01	BAIL TRIP SHAFT	55	2C3-042-01	HANDLE SCREW SLEEVE
25	2W1-199-01	015-027 WASHER	56	2H6-017-02	HANDLE SCREW CAP
26	2Q1-117-01	BAIL SPRING	57	2E2-013-02	B20M-060 SCREW
27	2C2-121-01	BAIL SPRING GUIDE	58	2A1-034-04	ANTI-REVERSE LEVER
28	2R4-186-01	BAIL SPRING COVER	59	2F5-412-04	REAR COVER
29	2A4-054-01	ONE-WAY CLUTCH INNER TUBE	60	2E2-092-01	B20M-050 SCREW
30	2E2-044-01	A20M-050 SCREW	GQ1500	SPECIAL PARTS	
31	2F5-398-01	ROLLER CLUTCH RETAINER	5	2YT-412-04	SPOOL TOTAL ASSEMBLY