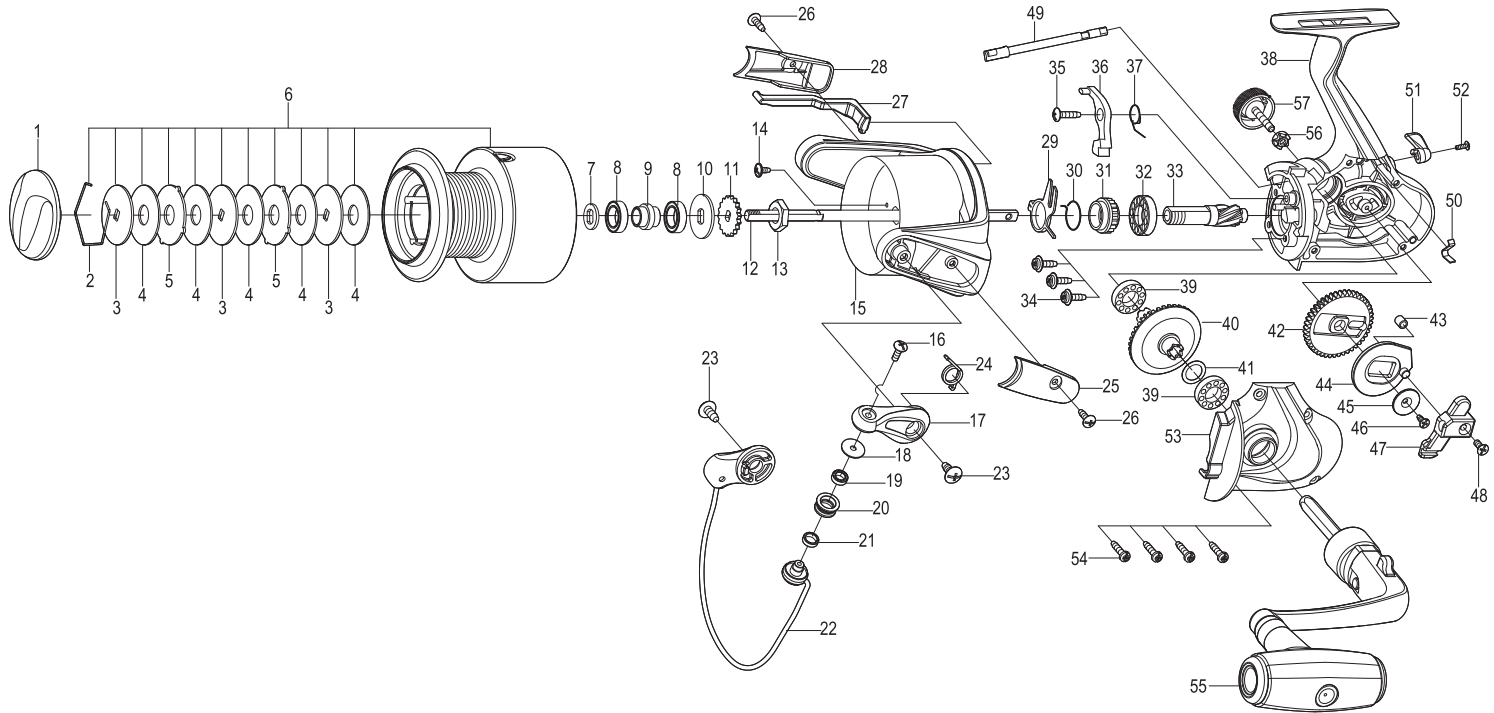




# SPINNING REEL

Please order by parts number, not key number  
 Bitte, Best.-Nr. angeben (Nicht "key" -nr.)  
 Veuillez indiquer le numero de la piece (Non "key" no.)

# GB6000R/GB8000R



Key No	Parts No.	Parts name	Key No	Parts No.	Parts name
1	2YD-021-05	DRAG KNOB ASSEMBLY	31	2F3-023-01	CLICK GEAR
2	2E4-003-01	DRAG WASHER RETAINER	32	2Z1-008-05	1020-5 BALL BEARING
3	2W2-048-01	KEY WASHER	33	2G2-057-01	PINION GEAR
4	2W1-175-01	100-300 WASHER	34	2E1-018-01	G30-100 SCREW
5	2W3-027-01	EARED WASHER	35	2E1-057-01	B30-130 SCREW
6	2YT-337-03	SPOOL TOTAL ASSEMBLY	36	2A4-062-01	ANTI-REVERSE PAWL
7	2W2-081-01	KEY WASHER	37	2Q3-045-01	ANTI-REVERSE PAWL SPRING
8	2Z1-009-05	711-3 BALL BEARING	38	2B1-125-03	BODY
9	2C1-121-01	SPACER	39	2Z1-007-05	917-4 BALL BEARING
10	2W2-082-01	KEY WASHER	40	2G1-052-02	DRIVE GEAR
11	2F3-021-01	CLICK GEAR	41	2W1-014-00	091-130 WASHER
12	2M3-107-01	MAIN SHAFT	42	2G3-064-01	OSCILLATING GEAR
13	2E3-003-01	ROTOR NUT	43	2C1-089-01	COLLAR
14	2E1-019-01	D26-060 SCREW	44	2M2-011-01	OSCILLATING CAM
15	2R1-114-03	ROTOR	45	2W5-062-01	COVER
16	2E2-007-01	B30M-100 SCREW	46	2E1-063-01	F26-070 SCREW
17	2R2-048-03	BAIL ARM	47	2M1-052-01	OSCILLATING SILDER
18	2C1-049-01	LINE ROLLER COLLAR	48	2E2-011-01	F30M-080 SCREW
19	2Z1-001-05	508-2.5 BALL BEARING	49	2A2-082-01	ANTI-REVERSE CAM
20	2R6-018-01	LINE ROLLER	50	2L5-012-01	ANTI-REVERSE CAM SPRING
21	2C1-068-01	COLLAR	51	2A1-022-17	ANTI-REVERSE LEVER
22	2YL-116-03	BAIL ASSEMBLY	52	2E2-013-02	B20M-060 SCREW
23	2E1-014-01	B40-100 SCREW	53	2B2-082-03	BODY COVER
24	2Q3-105-01	BAIL SPRING	54	2E1-006-02	A30-130 SCREW
25	2R4-146-03	BAIL SPRING COVER	55	2YH-261-03	HANDLE TOTAL ASSEMBLY
26	2E1-011-01	B30-100 SCREW	56	2C3-047-01	HANDLE SCREW SLEEVE
27	2R5-125-01	BAIL TRIP LEVER	57	2H6-002-08	HANDLE SCREW CAP
28	2R4-145-03	BAIL TRIP COVER	GB8000R	SPECIAL PARTS	
29	2F1-008-02	SPRING HOLDER	6	2YT-340-03	SPOOL TOTAL ASSEMBLY
30	2Q3-050-01	ANTI-REVERSE PAWL SPRING			