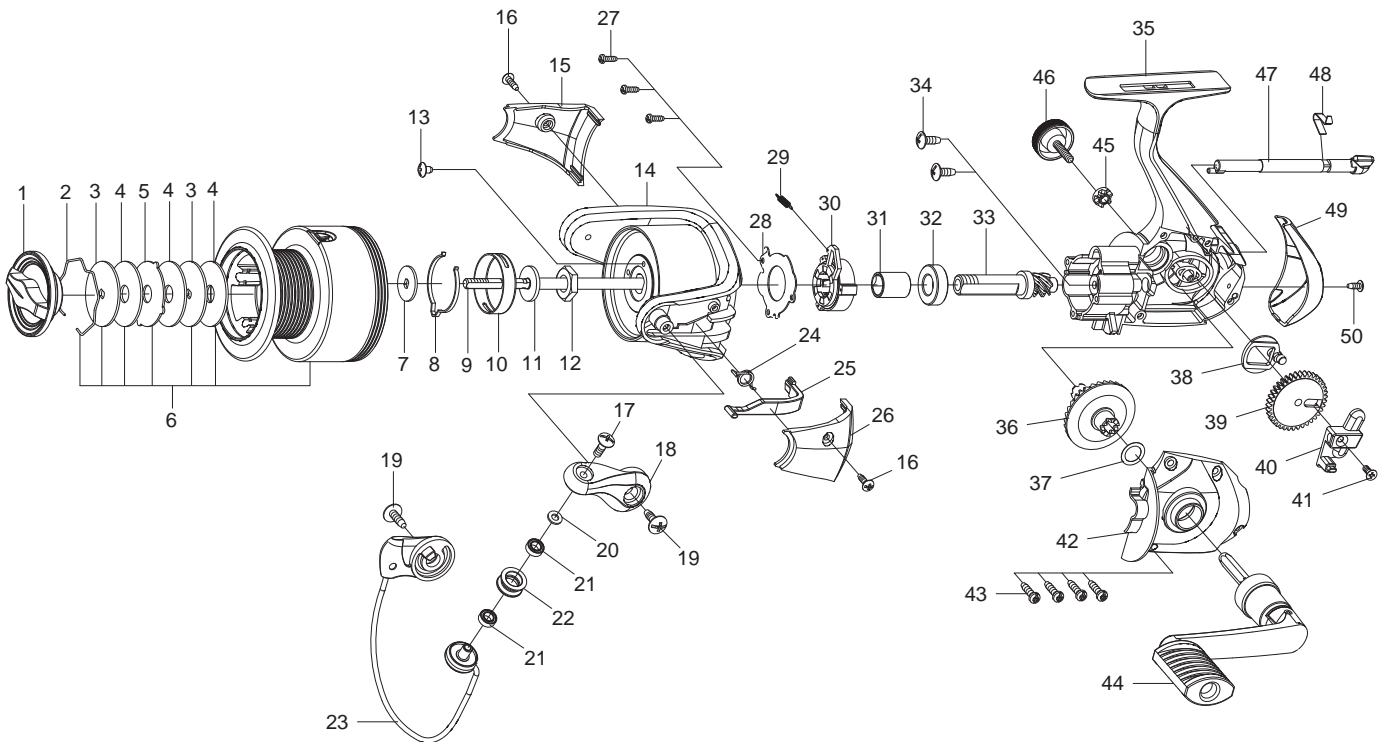


# SPINNING REEL CAMBRIA

Please order by parts number, not key number  
Bitte, Best.-Nr. angeben (Nicht "key" -nr.)  
Veuillez indiquer le numero de la pièce (Non "key" no.)

## EE3000 / EE3500



Key NO.	Parts No.	Parts name	Key NO.	Parts No.	Parts name
1	2YD-094-04	DRAG KNOB ASSEMBLY	27	2E1-050-01	A20-060 SCREW
2	2E4-034-01	DRAG WASHER RETAINER	28	2F5-436-01	ROLLER CLUTCH RETAINER
3	2W2-071-01	KEY WASHER	29	2Q2-021-01	SPRING
4	2W1-226-01	080-260 WASHER	30	2YZ-027-01	ONE-WAY CLUTCH BEARING ASSEMBLY
5	2W3-035-01	EARED WASHER	31	2A4-082-01	ONE-WAY CLUTCH INNER TUBE
6	2YT-443-04	SPOOL TOTAL ASSEMBLY	32	2Z1-005-07	816-5 BALL BEARING
7	2W2-020-01	KEY WASHER	33	2G2-165-01	PINION GEAR
8	2L3-015-01	CLICK LEAF SPRING	34	2E1-051-01	D30-080 SCREW
9	2M3-151-01	MAIN SHAFT	35	2YB-246-01	BODY ASSEMBLY
10	2F8-019-02	CLICK LEAF SPRING HOLDER	36	2G1-150-01	DRIVE GEAR
11	2W2-015-01	KEY WASHER	37	2W1-019-01	071-103 WASHER
12	2E3-002-01	ROTOR NUT	38	2M2-016-01	OSCILLATING CAM
13	2E1-036-01	B26-040 SCREW	39	2G3-081-01	OSCILLATING GEAR
14	2R1-146-04	ROTOR	40	2M1-074-01	OSCILLATING SLIDER
15	2R4-203-01	BAIL TRIP COVER	41	2E2-009-01	F23M-060 SCREW
16	2E1-065-01	B22-065 SCREW	42	2YC-110-02	BODY COVER ASSEMBLY
17	2E2-094-01	B30M-090 SCREW	43	2E1-055-01	A26-100 SCREW
18	2R2-070-04	BAIL ARM	44	2YH-386-02	HANDLE TOTAL ASSEMBLY
19	2E1-010-01	b30-100 SCREW	45	2C3-042-01	HANDLE SCREW SLEEVE
20	2W1-258-01	030-060 WASHER	46	2H6-001-13	HANDLE SCREW CAP
21	2C1-120-01	COLLAR	47	2A2-106-04	ANTI-REVERSE CAM
22	2R6-020-02	LINE ROLLER	48	2L5-010-01	ANTI-REVERSE CAM SPRING
23	2YL-158-04	BAIL ASSEMBLY	49	2F5-435-01	REAR COVER
24	2Q1-051-02	BAIL SPRING	50	2E1-020-02	B22-055 SCREW
25	2R5-179-01	BAIL TRIP LEVER	EE3500	SPECIAL PARTS	
26	2R4-202-01	BAIL SPRING COVER	6	2YT-459-04	SPOOL TOTAL ASSEMBLY