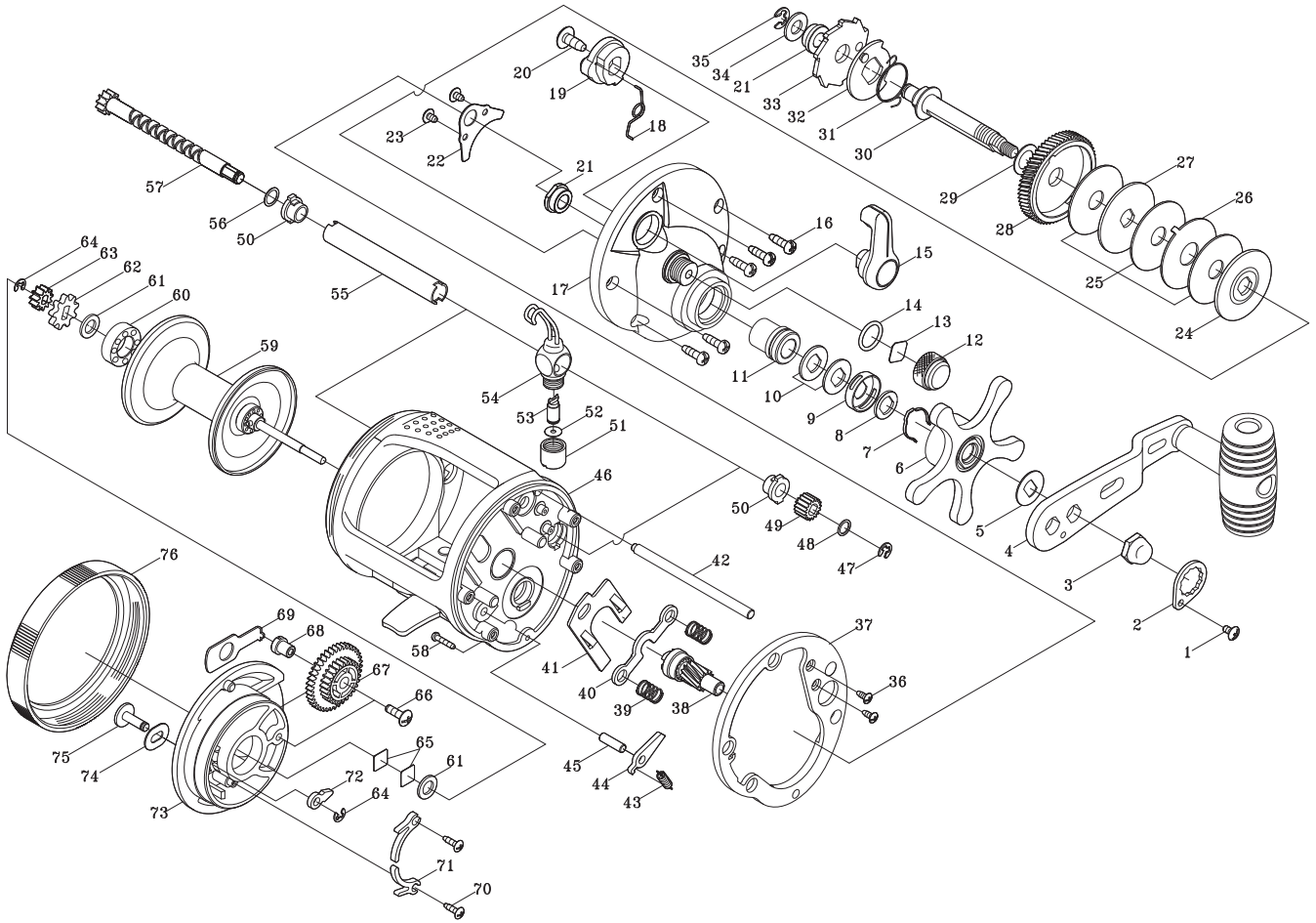




# SALTWATER REEL

# SEASPIRIT SP248R / SP348R

Please order by parts number, not key number  
 Bitte, Best.-Nr. angeben (Nicht "key" -nr.)  
 Veuillez indiquer le numero de la piece (Non "key" no.)



| Key NO. | Parts No.  | Parts name                  | Key NO.       | Parts No.            | Parts name            |
|---------|------------|-----------------------------|---------------|----------------------|-----------------------|
| 59-64   | 2YT-277-01 | SPOOL TOTAL ASSEMBLY        | 44            | 2A4-055-01           | ANTI-REVERSE PAWL     |
| 1       | 2E2-006-01 | B26M-050 SCREW              | 45            | 2P1-036-01           | ANTI-REVERSE PAWL PIN |
| 2       | 2F6-043-01 | HANDLE NUT HOLDING PLATE    | 46            | 2YB-140-02           | BODY ASSEMBLY         |
| 3       | 2E3-027-01 | HANDLE NUT                  | 47            | 2E5-013-01           | E3.0 RETAINER         |
| 4       | 2YH-178-01 | HANDLE TOTAL ASSEMBLY       | 48            | 2W1-046-01           | 051-068 WASHER        |
| 5       | 2W2-044-01 | KEY WASHER                  | 49            | 2G3-050-01           | COUNTER GEAR          |
| 6       | 2YD-046-02 | STAR DRAG LEVER ASSY        | 50            | 2C2-074-01           | WORM SHAFT BUSHING    |
| 7       | 2L3-025-01 | CLICK LEAF SPRING           | 51            | 2E3-014-01           | LINE GUIDE NUT        |
| 8       | 2W2-043-01 | KEY WASHER                  | 52            | 2W1-100-01           | 020-068 WASHER        |
| 9       | 2F8-060-01 | CLICK LEAF SPRING HOLDER    | 53            | 2M5-005-01           | LINE GUIDE PIN        |
| 10      | 2L1-007-01 | SPRING WASHER               | 54            | 2YR-061-01           | LINE GUIDE ASSEMBLY   |
| 11      | 2C1-088-01 | DRIVE SHAFT COLLAR          | 55            | 2C4-006-01           | LEVEL WIND GUARD      |
| 12      | 2E3-048-01 | CAST CONTROL NUT            | 56            | 2W1-087-01           | 060-080 WASHER        |
| 13      | 2W5-029-01 | CAST CONTROL SPACER         | 57            | 2YM-047-01           | WORM SHAFT ASSEMBLY   |
| 14      | 2E9-005-01 | O RING                      | 58            | 2E1-066-01           | A20-100 SCREW         |
| 15      | 2S3-022-02 | CLUTCH LEVER                | 59            | 2YS-181-01           | SPOOL ASSEMBLY        |
| 16      | 2E1-009-01 | A30-100 SCREW               | 60            | 2Z1-035-05           | 917-5 BALL BEARING    |
| 17      | 2F5-231-07 | RIGHT SIDE COVER            | 61            | 2W1-097-01           | 059-100 WASHER        |
| 18      | 2Q3-099-01 | CLUTCH SPRING               | 62            | 2F3-052-01           | CLICK GEAR            |
| 19      | 2A2-069-01 | CLUTCH CAM                  | 63            | 2G3-049-01           | SPOOL GEAR            |
| 20      | 2E1-014-01 | B40-100 SCREW               | 64            | 2E5-006-01           | E2.5 RETAINER         |
| 21      | 2Z2-017-01 | BUSHING                     | 65            | 2W5-015-01           | CAST CONTROL SPACER   |
| 22      | 2F6-068-01 | HOLDING PLATE               | 66            | 2E2-007-01           | B30M-100 SCREW        |
| 23      | 2E1-036-01 | B26-040 SCREW               | 67            | 2G3-053-01           | IDLE GEAR             |
| 24      | 2W2-045-01 | KEY WASHER                  | 68            | 2E3-049-01           | IDLE GEAR SHAFT       |
| 25      | 2W1-170-01 | 082-300 WASHER              | 69            | 2F6-069-01           | RETAINER              |
| 26      | 2W3-025-01 | EARED WASHER                | 70            | 2E1-048-01           | B22-080 SCREW         |
| 27      | 2W2-046-01 | KEY WASHER                  | 71            | 2F2-020-01           | CLICK SPRING          |
| 28      | 2G1-059-01 | DRIVE GEAR                  | 72            | 2F4-019-01           | CLICK PAWL            |
| 29      | 2W1-173-01 | 081-140 WASHER              | 73            | 2F5-216-14           | LEFT SIDE COVER       |
| 30      | 2M3-079-01 | DRIVE SHAFT                 | 74            | 2W5-040-01           | CLICK SWITCH WASHER   |
| 31      | 2Q3-081-01 | ANTI-REVERSE RATCHET SPRING | 75            | 2F7-006-01           | CLICK SWITCH          |
| 32      | 2YF-082-01 | ANTI-REVERSE RATCHET A      | 76            | 2E3-050-02           | SIDEPLATE HOLDING NUT |
| 33      | 2YA-026-01 | ANTI-REVERSE RATCHET B      |               |                      |                       |
| 34      | 2W1-169-01 | 061-120 WASHER              | <b>SP348R</b> | <b>SPECIAL PARTS</b> |                       |
| 35      | 2E5-028-01 | E4.0 RETAINER               | 59-64         | 2YT-278-01           | SPOOL TOTAL ASSEMBLY  |
| 36      | 2E1-020-02 | B22-055 SCREW               | 17            | 2F5-231-08           | RIGHT SIDE COVER      |
| 37      | 2F6-074-02 | BODY SPACER                 | 42            | 2P4-011-02           | LEVEL WIND GUIDE      |
| 38      | 2YG-007-01 | PINION GEAR ASSEMBLY        | 46            | 2YB-141-02           | BODY ASSEMBLY         |
| 39      | 2Q1-080-01 | YOKE SPRING                 | 55            | 2C4-008-01           | LEVEL WIND GUARD      |
| 40      | 2A2-068-01 | PINION YOKE                 | 57            | 2YM-049-01           | WORM SHAFT ASSEMBLY   |
| 41      | 2F6-067-01 | YOKE PLATE                  | 59            | 2YS-182-01           | SPOOL ASSEMBLY        |
| 42      | 2P4-011-01 | LEVEL WIND GUIDE            | 73            | 2F5-216-16           | LEFT SIDE COVER       |
| 43      | 2Q2-009-01 | CLICK PAWL SPRING           | 76            | 2E3-050-03           | SIDEPLATE HOLDING NUT |