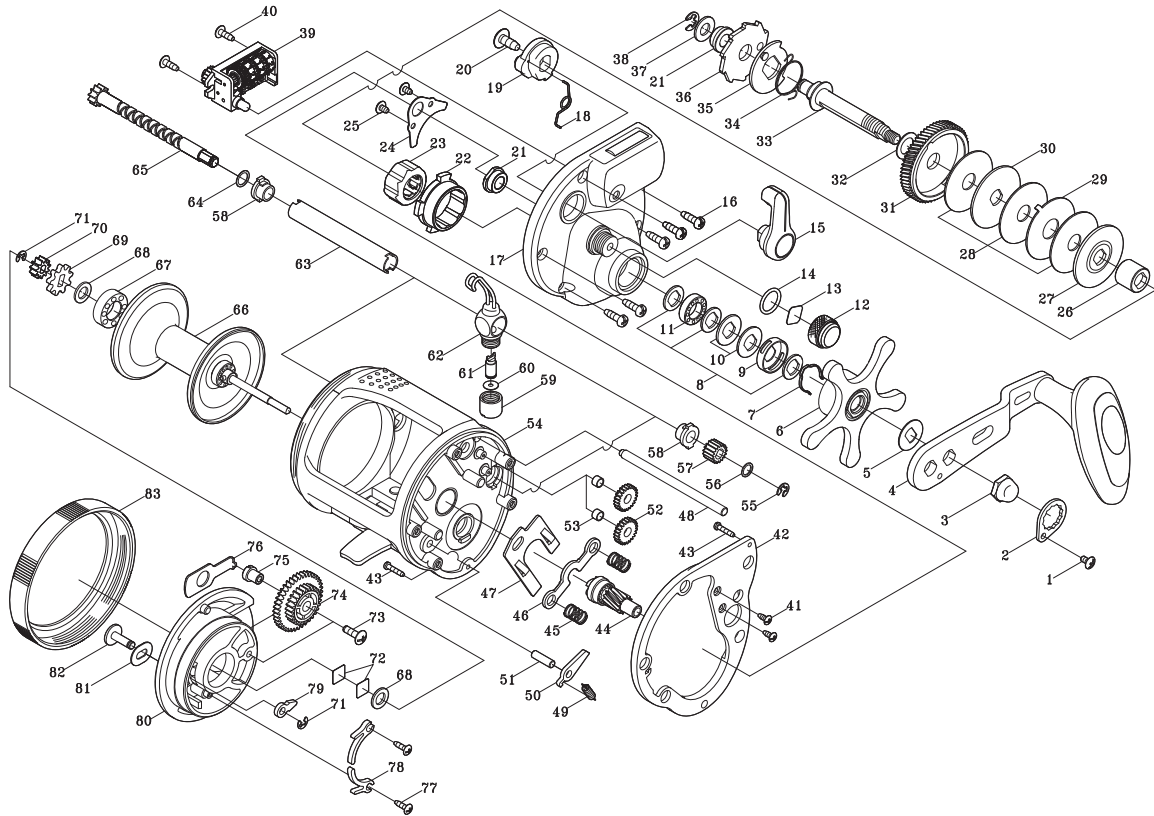




SALTWATER REEL SEASPIRIT

Please order by parts number, not key number
 Bitte, Best.-Nr. angeben (Nicht "key" -nr.)
 Veuillez indiquer le numero de la piece (Non "key" no.)

SS248R/C-ft / SS248R/C-M SS348R/C-ft / SS348R/C-M



Key NO.

- 66-71
- 1
- 2
- 3
- 4
- 5
- 6
- 7
- 8
- 9
- 10
- 11
- 12
- 13
- 14
- 15
- 16
- 17
- 18
- 19
- 20
- 21
- 22
- 23
- 24
- 25
- 26
- 27
- 28
- 29
- 30
- 31
- 32
- 33
- 34
- 35
- 36
- 37
- 38
- 39
- 40
- 41
- 42
- 43
- 44
- 45
- 46
- 47
- 48
- 49
- 50
- 51
- 52

Parts No.

- 2YT-201-01
- 2E2-006-01
- 2F6-043-01
- 2E3-027-01
- 2YH-148-01
- 2W2-044-01
- 2YD-046-01
- 2L3-025-01
- 2W2-043-01
- 2F8-060-01
- 2L1-007-01
- 2Z1-023-05
- 2E3-048-01
- 2W5-029-01
- 2E9-005-01
- 2S3-022-01
- 2E1-009-01
- 2YF-084-03
- 2Q3-099-01
- 2A2-069-01
- 2E1-014-01
- 2Z2-017-01
- 2F8-072-01
- 2Y2-013-01
- 2F6-068-01
- 2E1-036-01
- 2A4-026-01
- 2W2-045-01
- 2W1-170-01
- 2W3-025-01
- 2W2-046-01
- 2G1-059-01
- 2W1-173-01
- 2M3-079-01
- 2Q3-081-01
- 2YF-082-01
- 2YA-026-01
- 2W1-169-01
- 2E5-028-01
- 2YF-085-01
- 2E1-016-02
- 2E1-020-02
- 2F6-073-01
- 2E1-066-01
- 2YG-007-01
- 2Q1-080-01
- 2A2-068-01
- 2F6-067-01
- 2P4-011-01
- 2Q2-009-01
- 2A4-055-01
- 2P1-036-01
- 2G3-054-01

Parts name

- SPOOL TOTAL ASSEMBLY
- B26M-050 SCREW
- ROTOR NUT HOLDING PLATE
- HANDLE NUT
- HANDLE TOTAL ASSEMBLY
- KEY WASHER
- STAR DRAG LEVER ASSY
- CLICK LEAF SPRING
- KEY WASHER
- CLICK LEAF SPRING HOLDER
- SPRING WASHER
- 814-4 BALL BEARING
- CAST CONTROL NUT
- CAST CONTROL SPACER
- O RING
- CLUTCH LEVER
- A30-100 SCREW
- RIGHT SIDE COVER ASSEMBLY
- CLUTCH SPRING
- CLUTCH CAM
- B40-100 SCREW
- BUSHING
- ANTI-REVERSE RATCHET SET
- ONE-WAY CLUTCH BEARING ASSEMBLY
- HOLDING PLATE
- B26-040 SCREW
- ONE-WAY CLUTCH INNER TUBE
- KEY WASHER
- 082-300 WASHER
- EARED WASHER
- KEY WASHER
- DRIVE GEAR
- 081-140 WASHER
- DRIVE SHAFT
- ONE-WAY CLUTCH SPRING
- ANTI-REVERSE RATCHET A
- ANTI-REVERSE RATCHET B
- 061-120 WASHER
- E4.0 RETAINER
- COUNTER ASSEMBLY
- B26-080 SCREW
- B22-055 SCREW
- BODY SPACER
- A20-100 SCREW
- PINION GEAR ASSEMBLY
- YOKE SPRING
- PINION YOKE
- YOKE PLATE
- LEVEL WIND GUIDE
- CLICK PAWL SPRING
- ANTI-REVERSE PAWL
- ANTI-REVERSE PAWL PIN
- COUNTER GEAR A

Key NO.

- 53
- 54
- 55
- 56
- 57
- 58
- 59
- 60
- 61
- 62
- 63
- 64
- 65
- 66
- 67
- 68
- 69
- 70
- 71
- 72
- 73
- 74
- 75
- 76
- 77
- 78
- 79
- 80
- 81
- 82
- 83
- SS248R/C-M
- 39
- SS348R/C-ft
- 66-71
- 17
- 48
- 54
- 63
- 65
- 66
- 80
- SS348R/C-M
- 66-71
- 17
- 39
- 48
- 54
- 63
- 65
- 66
- 80

Parts No.

- 2C1-084-01
- 2YB-140-01
- 2E5-013-01
- 2W1-046-01
- 2G3-050-01
- 2C2-074-01
- 2E3-014-01
- 2W1-100-01
- 2M5-005-01
- 2YR-061-01
- 2C4-006-01
- 2W1-087-01
- 2YM-047-01
- 2YS-142-01
- 2Z1-035-05
- 2W1-097-01
- 2F3-052-01
- 2G3-049-01
- 2E5-006-01
- 2W5-015-01
- 2E2-007-01
- 2G3-053-01
- 2E3-049-01
- 2F6-069-01
- 2E1-048-01
- 2F2-020-01
- 2F4-019-01
- 2F5-216-09
- 2W5-040-01
- 2F7-006-01
- 2E3-050-01
- SS248R/C-M
- 2YF-085-02
- SS348R/C-ft
- 2YT-246-01
- 2YF-084-04
- 2P4-011-02
- 2YB-141-01
- 2C4-008-01
- 2YM-049-01
- 2YS-147-01
- 2F5-216-11
- SS348R/C-M
- 2YT-246-01
- 2YF-084-04
- 2YF-085-02
- 2P4-011-02
- 2YB-141-01
- 2C4-008-01
- 2YM-049-01
- 2YS-147-01
- 2F5-216-11

Parts name

- COUNTER GEAR COLLAR
- BODY ASSEMBLY
- E3.0 RETAINER
- 051-068 WASHER
- COUNTER GEAR
- WORM SHAFT BUSHING
- LINE GUIDE NUT
- 020-068 WASHER
- LINE GUIDE PIN
- LINE GUIDE ASSEMBLY
- LEVEL WIND GUARD
- 060-080 WASHER
- WORM SHAFT ASSEMBLY
- SPOOL ASSEMBLY
- 917-5 BALL BEARING
- 059-100 WASHER
- CLICK GEAR
- SPOOL GEAR
- E2.5 RETAINER
- CAST CONTROL SPACER
- B30M-100 SCREW
- IDLE GEAR
- IDLE GEAR SHAFT
- RETAINER
- B22-080 SCREW
- CLICK SPRING
- CLICK PAWL
- LEFT SIDE COVER
- CLICK SWITCH WASHER
- CLICK SWITCH
- SIDEPLATE HOLDING NUT
- COUNTER ASSEMBLY
- SPOOL TOTAL ASSEMBLY
- RIGHT SIDE COVER ASSEMBLY
- LEVEL WIND GUIDE
- BODY ASSEMBLY
- LEVEL WIND GUARD
- WORM SHAFT ASSEMBLY
- SPOOL ASSEMBLY
- LEFT SIDE COVER
- SPOOL TOTAL ASSEMBLY
- RIGHT SIDE COVER ASSEMBLY
- COUNTER ASSEMBLY
- LEVEL WIND GUIDE
- BODY ASSEMBLY
- LEVEL WIND GUARD
- WORM SHAFT ASSEMBLY
- SPOOL ASSEMBLY
- LEFT SIDE COVER