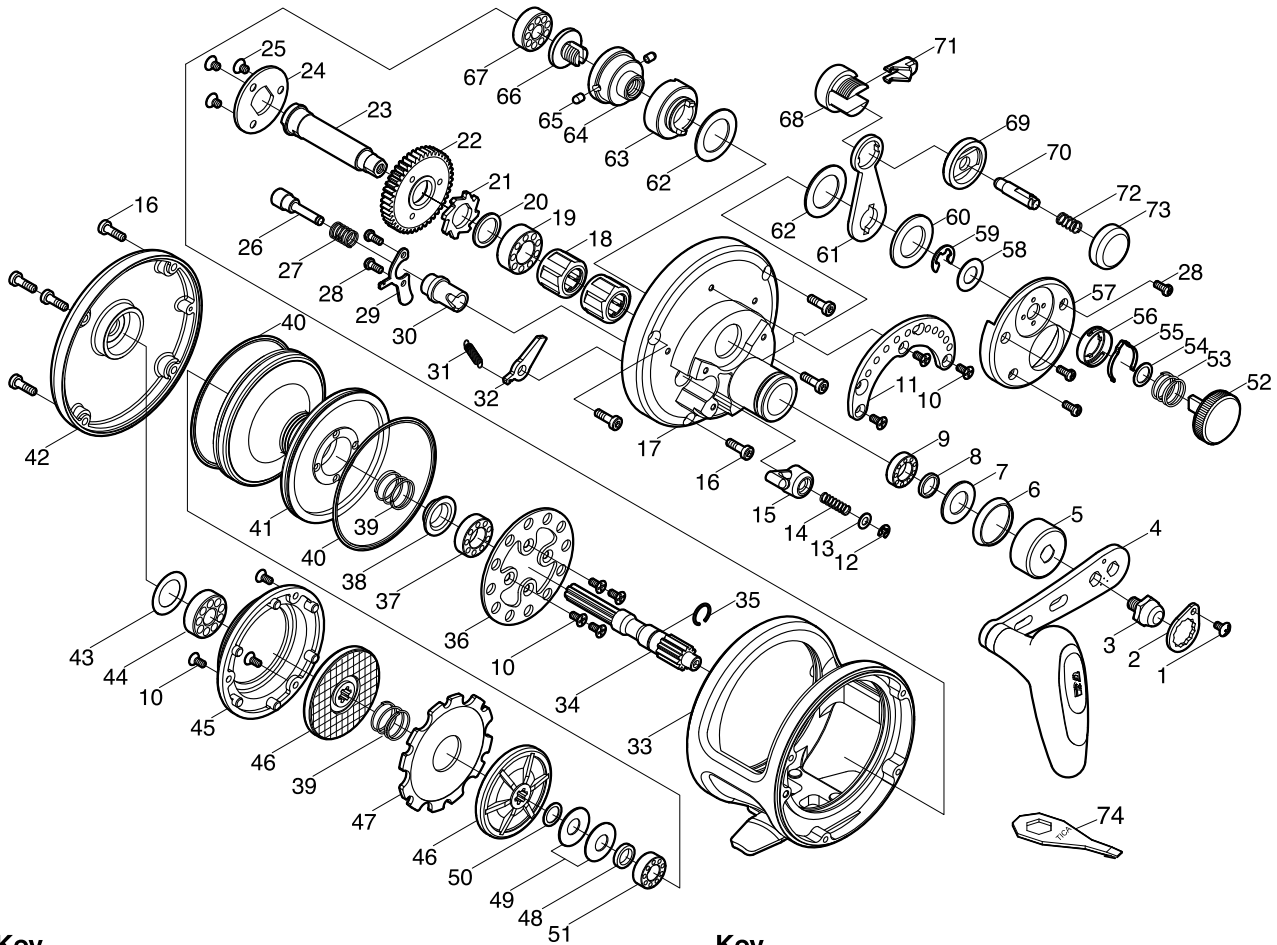




SALTWATER REEL

TICA TEAM

ST358R(SILVER)



Key No.	Parts No.	Parts Name	Key No.	Parts No.	Parts Name
1	2E2-006-01	B26M-050 SCREW	38	2C1-050-01	PRESSURE RELEASE SPRING COLLAR
2	2F6-043-02	ROTOR NUT HOLDING PLATE	39	2Q1-068-01	DRAG SPRING
3	2E3-053-01	HANDLE NUT	40	2E9-011-01	WATER PROOF RING
4	2YH-310-01	HANDLE TOTAL ASSEMBLY	41	2S1-324-02	SPOOL
5	2F5-062-01	DRIVE GEAR SHAFT COVER	42	2YF-076-32	LEFT SIDE COVER ASSEMBLY
6	2E9-006-01	O RING	43	2W1-163-01	120-188 WASHER
7	2W1-154-01	101-180 WASHER	44	2Z1-025-05	719-6 BALL BEARING
8	2C1-075-01	COLLAR	45	2F5-112-01	BRAKE DISC COVER
9	2Z1-023-05	814-4 BALL BEARING	46	2YD-039-01	BRAKE DISC ASSEMBLY
10	2E2-014-02	F26M-060 SCREW	47	2W5-028-01	DRAG PLATE
11	2F5-066-01	DRAG LEVER QUADRANT	48	2C1-072-01	COLLAR
12	2E5-006-01	E2.5 RETAINER	49	2L1-006-01	SPRING WASHER
13	2W1-204-01	034-065 WASHER	50	2W1-078-01	072-100 WASHER
14	2Q1-102-01	CLICK PLUNGER SPRING	51	2Z1-003-05	714-5 BALL BEARING
15	2F7-005-01	CLICK SWITCH	52	2D1-031-02	PRESET DRAG KNOB
16	2E2-064-01	H30M-100 SCREW	53	2Q1-089-01	COMPRESSION SPRING
17	2YF-039-06	RIGHT SIDE COVER ASSEMBLY	54	2W1-182-01	072-100 WASHER
18	2YZ-007-01	ONE-WAY CLUTCH BEARING ASSEMBLY	55	2L3-035-01	CLICK LEAF SPRING
19	2Z1-034-05	1019-7 BALL BEARING	56	2F8-085-01	CLICK LEAF SPRING HOLDER
20	2W1-152-01	111-146 WASHER	57	2F5-121-01	FIGHTING LEVER COVER
21	2A3-022-01	RATCHET	58	2W1-077-01	075-140 WASHER
22	2G1-022-01	DRIVE GEAR	59	2E5-018-01	E6.0 RETAINER
23	2M3-035-01	GEAR SHAFT	60	2W1-153-01	140-226 WASHER
24	2F6-039-01	COUPLING PLATE	61	2D4-013-01	DRAG LEVER
25	2E2-058-01	F30M-045 SCREW	62	2W1-074-01	147-226 WASHER
26	2P1-062-01	CLICK PLUNGER	63	2A2-022-01	DRAG CAM
27	2Q1-078-01	CLICK BUTTON SPRING	64	2F8-017-01	BEARING HOLDER
28	2E2-037-01	A26M-060 SCREW	65	2P1-018-01	DRAG CAM PIN
29	2F6-038-01	HOLDING PLATE	66	2E0-017-01	PRESET SCREW
30	2C1-054-01	CLICK PIN BUSHING	67	2Z1-036-05	617-6 BALL BEARING
31	2Q2-009-01	CLICK PAWL SPRING	68	2F8-112-01	CLICK HOLD
32	2A4-049-01	ANTI-REVERSE PAWL	69	2C1-112-01	SPACER
33	2YB-228-11	BODY ASSEMBLY	70	2YP-004-01	CLICK PIN ASSEMBLY
34	2G2-136-01	PINION GEAR	71	2S3-014-01	PUSH BUTTON
35	2E4-025-01	BEARING RETAINER	72	2Q1-028-01	BUSH BUTTON SPRING
36	2F3-028-01	CLICK PLATE	73	2F5-120-02	BUTTON CAP
37	2Z1-035-05	917-5 BALL BEARING	74	2X3-004-02	WRENCH