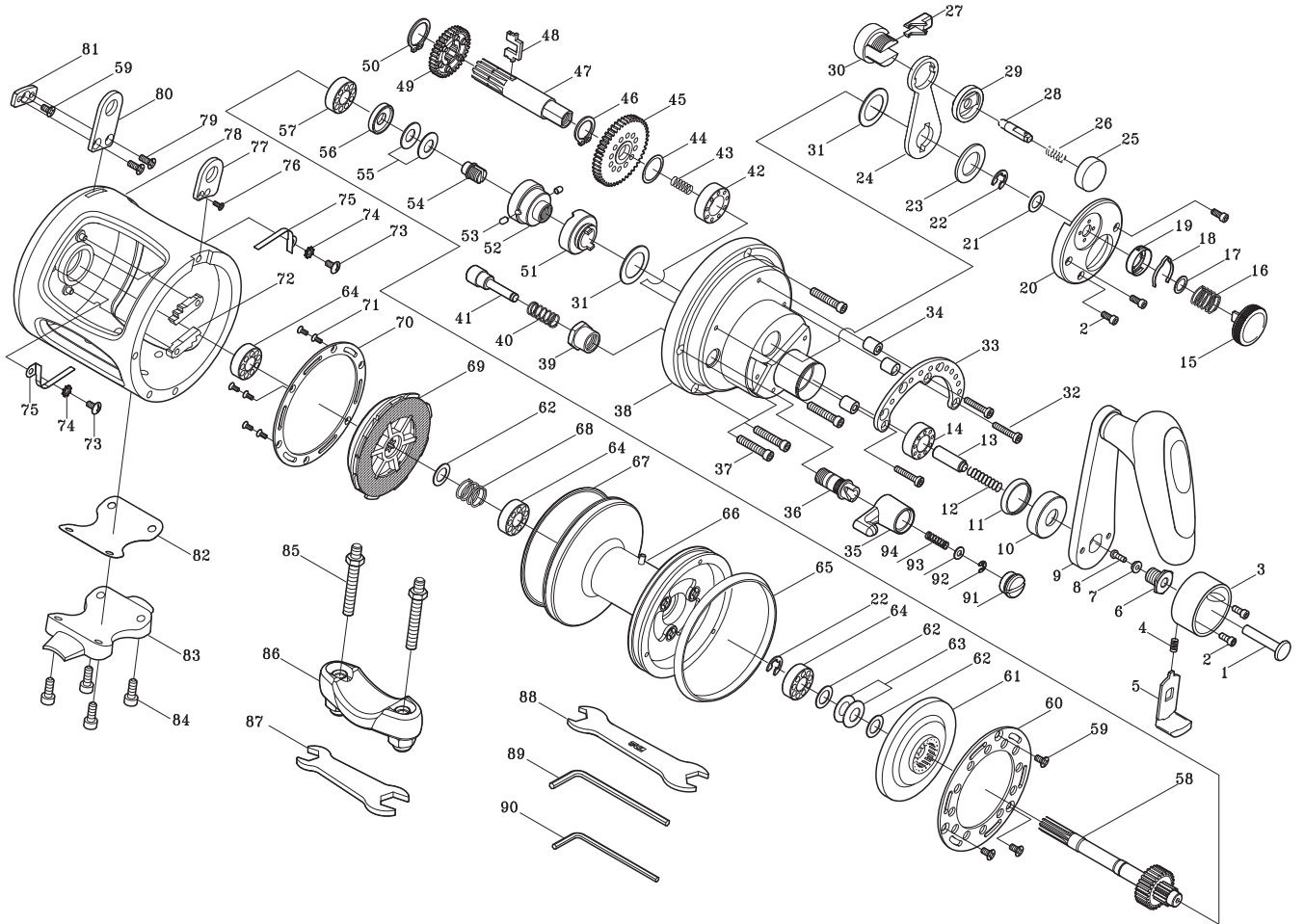


# SALTWATER REEL TICATEAM 20R/WTS (SILVER)

Please order by parts number, not key number  
 Bitte, Best.-Nr. angeben (Nicht "key"-nr.)  
 Veuillez indiquer le numero de la piece (Non "key" no.)



| Key NO. | Parts No.  | Parts name                  | Key NO. | Parts No.  | Parts name            |
|---------|------------|-----------------------------|---------|------------|-----------------------|
| 1       | 2S3-017-01 | LOW SPEED BUTTON SHAFT      | 48      | 2A2-062-01 | YOKE                  |
| 2       | 2E2-078-01 | h30M-070 SCREW              | 49      | 2YG-011-01 | DRIVE GEAR B ASSEMBLY |
| 3       | 2F8-077-01 | VARIABLE SPEED BUTTON STAND | 50      | 2E5-033-01 | C15 RETAINER          |
| 4       | 2Q1-074-01 | SLIDE PLATE SPRING          | 51      | 2A2-022-01 | DRAG CAM              |
| 5       | 2S3-015-01 | HI-SPEED SLIDE PLATE        | 52      | 2F8-086-01 | BEARING HOLDER        |
| 6       | 2E0-021-01 | HANDLE BOLT                 | 53      | 2P1-018-01 | DRAG CAM PIN          |
| 7       | 2C1-065-01 | BUTTON SHAFT COLLAR         | 54      | 2E0-037-01 | PRESET SCREW          |
| 8       | 2E2-031-01 | A26M-075 SCREW              | 55      | 2L1-012-01 | SPRING WASHER         |
| 9       | 2YH-172-02 | HANDLE TOTAL ASSEMBLY       | 56      | 2C1-087-01 | COLLAR                |
| 10      | 2F5-136-01 | DRIVE GEAR SHAFT COVER      | 57      | 2Z1-036-05 | 617-6 BALL BEARING    |
| 11      | 2E9-012-01 | WATER PROOF RING            | 58      | 2YG-010-01 | PINION GEAR ASSEMBLY  |
| 12      | 2Q1-060-01 | BUTTON SHAFT SPRING         | 59      | 2E2-056-01 | F30M-060 SCREW        |
| 13      | 2P4-010-01 | BUTTON SHAFT SPACER BAR     | 60      | 2F3-056-01 | CLICK GEAR            |
| 14      | 2Z1-034-05 | 1019-7 BALL BEARING         | 61      | 2YD-062-01 | BRAKE DISC ASSY(R)    |
| 15      | 2D1-031-02 | PRESET DRAG KNOB            | 62      | 2W1-020-01 | 081-130 WASHER        |
| 16      | 2Q1-089-01 | COMPRESSION SPRING          | 63      | 2L1-013-01 | SPRING WASHER         |
| 17      | 2W1-182-01 | 071-100 WASHER              | 64      | 2Z1-040-05 | 819-6 BEARING         |
| 18      | 2L3-035-01 | CLICK LEAF SPRING           | 65      | 2E9-023-01 | WATER PROOF RING      |
| 19      | 2F8-085-01 | CLICK LEAF SPRING HOLDER    | 66      | 2YS-166-03 | SPOOL ASSEMBLY        |
| 20      | 2F5-253-01 | FIGHTING LEVER COVER        | 67      | 2E9-022-01 | WATER PROOF RING      |
| 21      | 2W1-077-01 | 075-140 WASHER              | 68      | 2Q1-088-01 | DRAG SPRING           |
| 22      | 2E5-018-01 | E6.0 RETAINER               | 69      | 2YD-061-01 | BRAKE DISC ASSY(L)    |
| 23      | 2W1-153-01 | 140-226 WASHER              | 70      | 2F5-250-01 | BRAKE DISC COVER      |
| 24      | 2D4-016-01 | FIGHTING LEVER              | 71      | 2E2-030-02 | F20M-050 SCREW        |
| 25      | 2F5-120-02 | BUTTON CAP                  | 72      | 2A4-059-02 | ANTI-REVERSE PAWL     |
| 26      | 2Q1-028-01 | BUSH BUTTON SPRING          | 73      | 2E2-004-01 | B30M-060 SCREW        |
| 27      | 2S3-014-01 | PUSH BUTTON                 | 74      | 2E8-004-01 | STARWASHER            |
| 28      | 2YP-004-01 | CLICK PIN ASSEMBLY          | 75      | 2L5-015-01 | PAWL SPRING           |
| 29      | 2C1-112-01 | SPACER                      | 76      | 2E2-068-02 | F20M-065 SCREW        |
| 30      | 2F8-112-01 | CLICK HOLD                  | 77      | 2F6-081-02 | HARNES LUG (R)        |
| 31      | 2W1-074-01 | 147-226 WASHER              | 78      | 2YB-155-07 | BODY ASSEMBLY         |
| 32      | 2E2-077-01 | h30M-160 SCREW              | 79      | 2E2-065-01 | B26M-140 SCREW        |
| 33      | 2F5-252-01 | DRAG LEVER QUADRANT         | 80      | 2F6-080-02 | HARNES LUG (L)        |
| 34      | 2C1-073-01 | QUADRANT SPACER             | 81      | 2W5-049-01 | HARNES LUG(L) SPACER  |
| 35      | 2F7-009-01 | CLICK SWITCH                | 82      | 2W5-027-01 | STAND GASKET          |
| 36      | 2C1-086-02 | CLICK TONGUE BUSHING        | 83      | 2F8-045-03 | REEL FOOT             |
| 37      | 2E2-076-01 | h40M-200 SCREW              | 84      | 2E2-062-01 | H40M-110 SCREW        |
| 38      | 2YF-093-05 | RIGHT SIDE COVER ASSEMBLY   | 85      | 2E0-038-01 | CLAMP SCREW           |
| 39      | 2E3-067-01 | CLICK BUSHING NUT           | 86      | 2YF-138-01 | ROD CLAMP ASSEMBLY    |
| 40      | 2Q1-063-01 | CLICK BUTTON SPRING         | 87      | 2X3-010-01 | WRENCH                |
| 41      | 2P1-062-03 | CLICK PIN                   | 88      | 2X3-006-01 | WRENCH                |
| 42      | 2Z1-037-05 | 1221-7 BALL BEARING         | 89      | 2X3-007-01 | HEX WRENCH            |
| 43      | 2Q1-061-01 | YOKE SPRING                 | 90      | 2X3-009-01 | HEX WRENCH            |
| 44      | 2W1-128-01 | 121-150 WASHER              | 91      | 2F5-335-01 | CLICK SWITCH COVER    |
| 45      | 2G1-074-01 | DRIVE GEAR A                | 92      | 2E5-006-01 | E2.5 RETAINER         |
| 46      | 2E5-024-01 | C12 RETAINER                | 93      | 2W1-204-01 | 034-065 WASHER        |
| 47      | 2M3-057-01 | DRIVE SHAFT                 | 94      | 2Q1-102-01 | CLICK PLUNGER SPRING  |