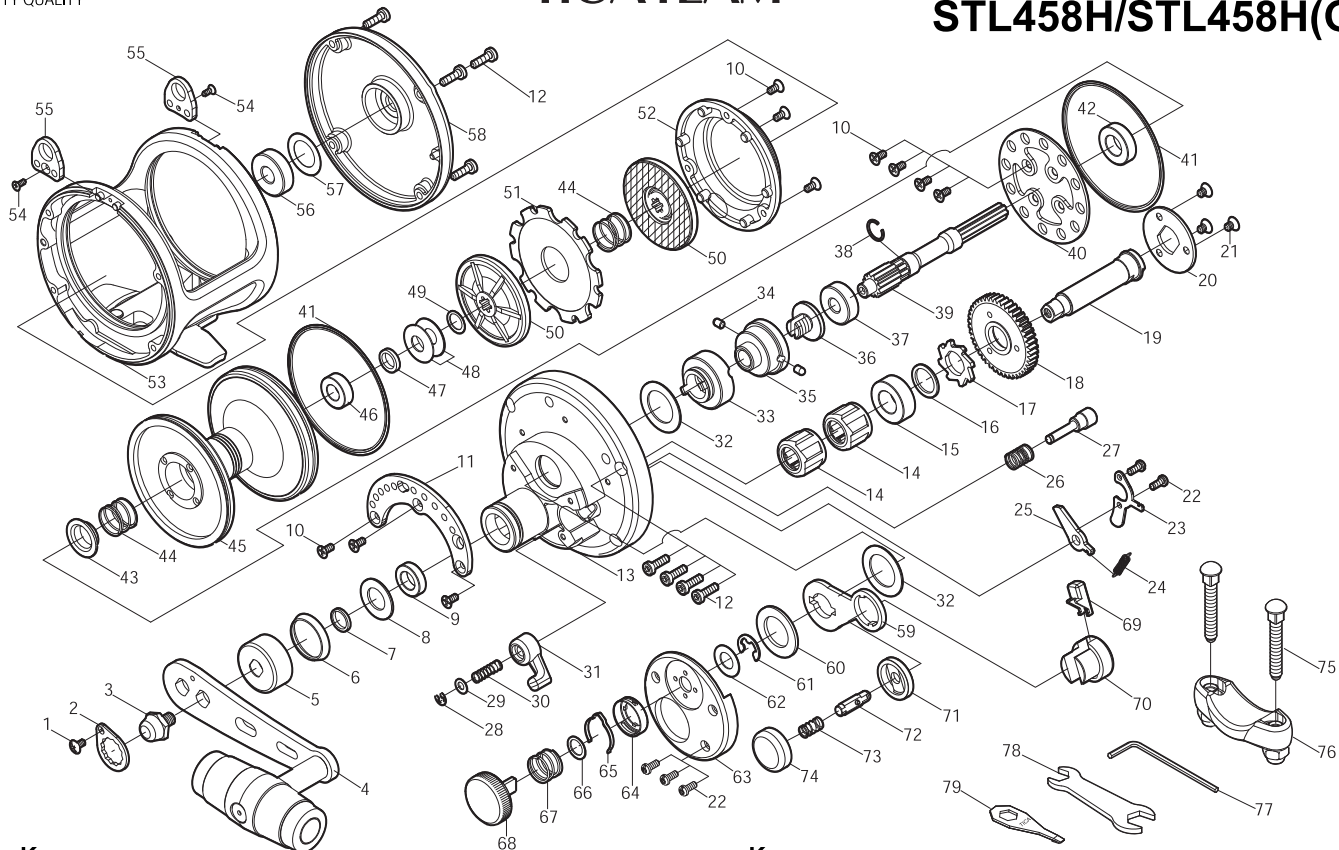




SALTWATER REEL TICATEAM

Please order by parts number, not key number
 Bitte, Best.-Nr. angeben (Nicht "key" -nr.)
 Veuillez indiquer le numero de la piece (Non "key" no.)

STL358H/ STL358H(G) STL458H/STL458H(G)



Key No.

Key No.	Parts No.	Parts Name
1	2E2-006-01	B26M-050 SCREW
2	2F6-043-01	ROTOR NUT HOLDING PLATE
3	2E3-053-01	HANDLE NUT
4	2YH-317-01	HANDLE ASSEMBLY
5	2F5-062-01	DRIVE GEAR SHAFT COVER
6	2E9-006-01	O RING
7	2C1-075-01	COLLAR
8	2W1-154-01	101-180 WASHER
9	2Z1-023-05	814-4 BALL BEARING
10	2E2-014-02	F26M-060 SCREW
11	2F5-395-01	DRAG LEVER QUADRANT
12	2E2-064-01	H30M-100 SCREW
13	2YF-163-01	LEFT SIDE COVER ASSEMBLY
14	2YZ-007-01	ONE-WAY CLUTCH BEARING ASSEMBLY
15	2Z1-034-05	1019-7 BALL BEARING
16	2W1-152-01	111-146 WASHER
17	2A3-022-01	RATCHET
18	2G1-126-01	DRIVE GEAR
19	2M3-035-01	GEAR SHAFT
20	2F6-039-01	COUPLING PLATE
21	2E2-058-01	F30M-045 SCREW
22	2E2-037-01	A26M-060 SCREW
23	2F6-038-01	HOLDING PLATE
24	2Q2-009-01	CLICK PAWL SPRING
25	2A4-049-01	ANTI-REVERSE PAWL
26	2Q1-078-01	CLICK BUTTON SPRING
27	2P1-062-01	CLICK PLUNGER
28	2E5-006-01	E2.5 RETAINER
29	2W1-204-01	034-065 WASHER
30	2Q1-102-01	CLICK PLUNGER SPRING
31	2F7-005-01	CLICK SWITCH
32	2W1-074-01	147-226 WASHER
33	2A2-093-01	DRAG CAM
34	2P1-018-01	DRAG CAM PIN
35	2F8-017-02	BEARING HOLDER
36	2E0-017-02	PRESET SCREW
37	2Z1-036-05	617-6 BALL BEARING
38	2E4-025-01	BEARING RETAINER
39	2G2-141-01	PINION GEAR
40	2F3-028-01	CLICK PLATE
41	2E9-011-01	WATER PROOF RING
42	2Z1-035-05	917-5 BALL BEARING
43	2C1-050-01	PRESSURE RELEASE SPRING COLLAR
44	2Q1-068-01	DRAG SPRING
45	2S1-324-01	SPOOL
46	2Z1-003-05	714-5 BALL BEARING
47	2C1-072-01	COLLAR
48	2L1-006-01	SPRING WASHER
49	2W1-078-01	072-100 WASHER

Key No.

Key No.	Parts No.	Parts Name
50	2YD-039-01	BRAKE DISC ASSEMBLY
51	2W5-028-01	DRAG PLATE
52	2F5-112-01	BRAKE DISC COVER
53	2YB-228-20	BODY ASSEMBLY
54	2E2-030-02	F20M-050 SCREW
55	2F6-103-01	HARNES LUG
56	2Z1-025-05	719-6 BALL BEARING
57	2W1-163-01	120-188 WASHER
58	2YF-076-54	RIGHT SIDE COVER ASSEMBLY
59	2D4-013-01	DRAG LEVER
60	2W1-153-01	140-226 WASHER
61	2E5-018-01	E6.0 RETAINER
62	2W1-077-01	075-140 WASHER
63	2F5-393-01	FIGHTING LEVER COVER
64	2F8-085-01	CLICK LEAF SPRING HOLDER
65	2L3-035-01	CLICK LEAF SPRING
66	2W1-182-01	071-100 WASHER
67	2Q1-089-01	COMPRESSION SPRING
68	2D1-031-01	PRESET DRAG KNOB
69	2S3-014-01	PUSH BUTTON
70	2F8-112-01	CLICK HOLD
71	2C1-112-01	SPACER
72	2YP-004-01	CLICK PIN ASSEMBLY
73	2Q1-028-01	BUSH BUTTON SPRING
74	2F5-120-01	BUTTON CAP
75	2E2-081-03	X50M-310 SCREW
76	2YF-138-01	ROD CLAMP ASSEMBLY
77	2X3-009-01	HEX WRENCH
78	2X3-010-01	WRENCH
79	2X3-004-02	WRENCH
	STL358H(G)	SPECIAL PARTS
2	2F6-043-02	ROTOR NUT HOLDING PLATE
4	2YH-317-02	HANDLE TOTAL ASSEMBLY
13	2YF-163-02	LEFT SIDE COVER ASSEMBLY
53	2YB-228-21	BODY ASSEMBLY
58	2YF-076-55	RIGHT SIDE COVER ASSEMBLY
	STL458H	SPECIAL PARTS
39	2G2-138-01	PINION GEAR
45	2S1-214-01	SPOOL
53	2YB-170-28	BODY ASSEMBLY
58	2YF-076-56	RIGHT SIDE COVER ASSEMBLY
	STL458H(G)	SPECIAL PARTS
2	2F6-043-02	ROTOR NUT HOLDING PLATE
4	2YH-317-02	HANDLE TOTAL ASSEMBLY
13	2YF-163-02	LEFT SIDE COVER ASSEMBLY
39	2G2-138-01	PINION GEAR
45	2S1-214-01	SPOOL
53	2YB-170-29	BODY ASSEMBLY
58	2YF-076-57	RIGHT SIDE COVER ASSEMBLY