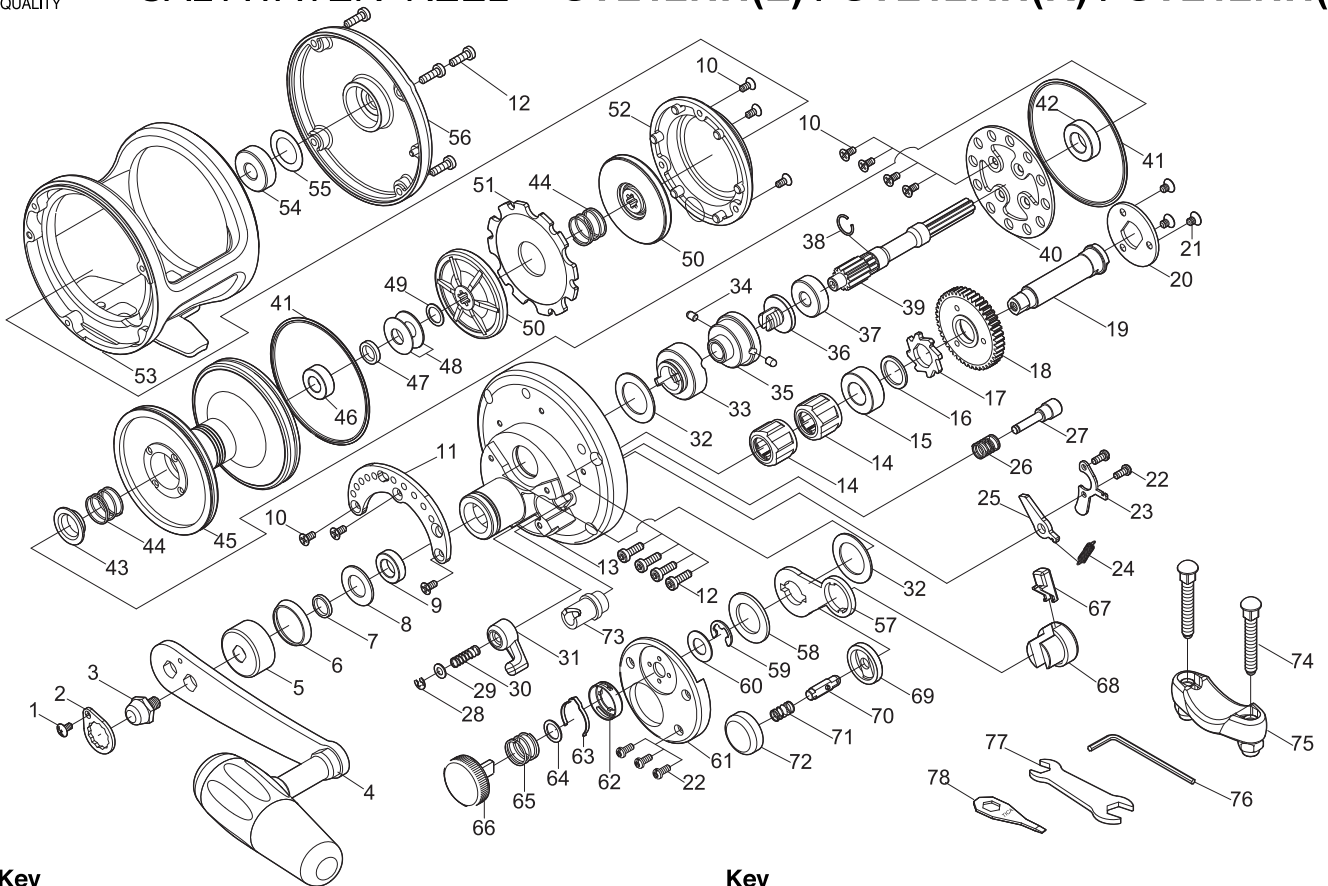


SALTWATER REEL STL12NH(L) / STL12NH(R) / STL12NH(G)


Key No.	Parts No.	Parts Name	Key No.	Parts No.	Parts Name
1	2E2-006-01	B26M-050 SCREW	45	2S1-324-01	SPOOL
2	2F6-043-02	ROTOR NUT HOLDING PLATE	46	2Z1-003-05	714-5 BALL BEARING
3	2E3-053-01	HANDLE NUT	47	2C1-072-01	COLLAR
4	2YH-355-01	HANDLE TOTAL ASSEMBLY	48	2L1-006-01	SPRING WASHER
5	2F5-062-01	DRIVE GEAR SHAFT COVER	49	2W1-078-01	072-100 WASHER
6	2E9-006-01	O RING	50	2YD-039-01	BRAKE DISC ASSEMBLY
7	2C1-075-01	COLLAR	51	2W5-028-01	DRAG PLATE
8	2W1-154-01	101-180 WASHER	52	2F5-112-01	BRAKE DISC COVER
9	2Z1-023-05	814-4 BALL BEARING	53	2YB-228-17	BODY ASSEMBLY
10	2E2-014-02	F26M-060 SCREW	54	2Z1-025-05	719-6 BALL BEARING
11	2F5-395-01	DRAG LEVER QUADRANT	55	2W1-163-01	120-188 WASHER
12	2E2-064-01	H30M-100 SCREW	56	2YF-076-42	RIGHT SIDE COVER ASSEMBLY
13	2YF-163-03	LEFT SIDE COVER ASSEMBLY	57	2D4-013-01	DRAG LEVER
14	2YZ-007-01	ONE-WAY CLUTCH BEARING ASSEMBLY	58	2W1-153-01	140-226 WASHER
15	2Z1-034-05	1019-7 BALL BEARING	59	2E5-018-01	E6.0 RETAINER
16	2W1-152-01	111-146 WASHER	60	2W1-077-01	075-140 WASHER
17	2A3-022-01	RATCHET	61	2F5-393-01	FIGHTING LEVER COVER
18	2G1-126-01	DRIVE GEAR	62	2F8-085-01	CLICK LEAF SPRING HOLDER
19	2M3-035-01	GEAR SHAFT	63	2L3-035-01	CLICK LEAF SPRING
20	2F6-039-01	COUPLING PLATE	64	2W1-182-01	071-100 WASHER
21	2E2-058-01	F30M-045 SCREW	65	2Q1-089-01	COMPRESSION SPRING
22	2E2-037-01	A26M-060 SCREW	66	2D1-031-01	PRESET DRAG KNOB
23	2F6-038-01	HOLDING PLATE	67	2S3-014-01	PUSH BUTTON
24	2Q2-009-01	CLICK PAWL SPRING	68	2F8-112-01	CLICK HOLD
25	2A4-049-01	ANTI-REVERSE PAWL	69	2C1-112-01	SPACER
26	2Q1-078-01	CLICK BUTTON SPRING	70	2YP-004-01	CLICK PIN ASSEMBLY
27	2P1-062-01	CLICK PLUNGER	71	2Q1-028-01	BUSH BUTTON SPRING
28	2E5-006-01	E2.5 RETAINER	72	2F5-120-01	BUTTON CAP
29	2W1-204-01	034-065 WASHER	73	2C1-115-01	CLICK PIN BUSHING
30	2Q1-102-01	CLICK PLUNGER SPRING	74	2E2-081-03	X50M-310 SCREW
31	2F7-005-01	CLICK SWITCH	75	2YF-138-01	ROD CLAMP ASSEMBLY
32	2W1-074-01	147-226 WASHER	76	2X3-009-01	HEX WRENCH
33	2A2-093-01	DRAG CAM	77	2X3-010-01	WRENCH
34	2P1-018-01	DRAG CAM PIN	78	2X3-004-02	WRENCH
35	2F8-017-02	BEARING HOLDER	STL12NH(R)	SPECIAL PARTS	
36	2E0-017-02	PRESET SCREW	13	2YF-163-04	LEFT SIDE COVER ASSEMBLY
37	2Z1-036-05	617-6 BALL BEARING	53	2YB-228-18	BODY ASSEMBLY
38	2E4-025-01	BEARING RETAINER	56	2YF-076-43	RIGHT SIDE COVER ASSEMBLY
39	2G2-141-01	PINION GEAR	STL12NH(G)	SPECIAL PARTS	
40	2F3-028-01	CLICK PLATE	13	2YF-163-02	LEFT SIDE COVER ASSEMBLY
41	2E9-011-01	WATER PROOF RING	53	2YB-228-19	BODY ASSEMBLY
42	2Z1-035-05	917-5 BALL BEARING	56	2YF-076-44	RIGHT SIDE COVER ASSEMBLY
43	2C1-050-01	PRESSURE RELEASE SPRING COLLAR	SPECIAL PARTS (USA)		
44	2Q1-068-01	DRAG SPRING	4	2YH-357-01	HANDEL TOTAL ASSEMBLY