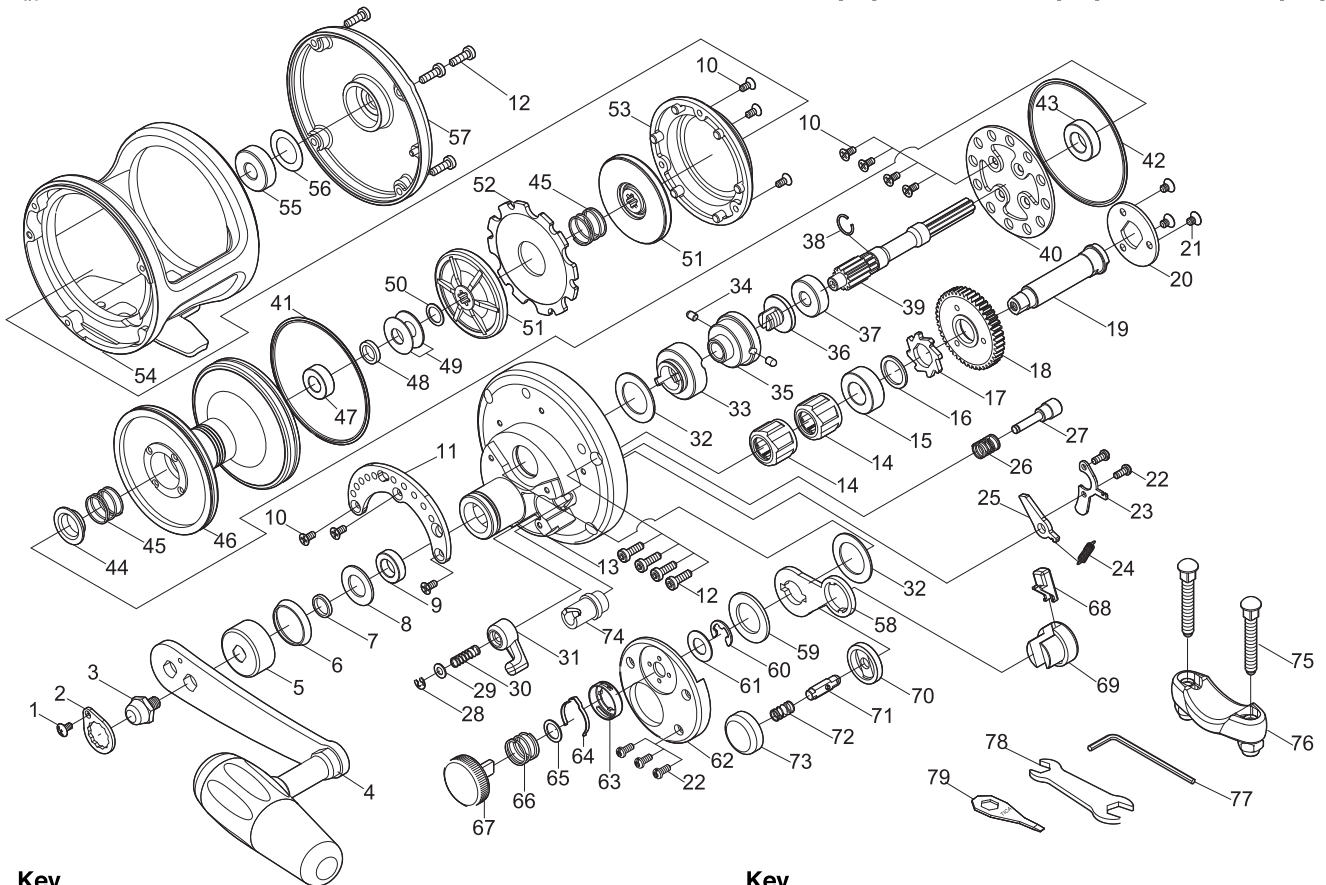


SALTWATER REEL

STL16(L) / STL16(R) / STL16(G)

Key
No.

Key No.	Parts No.	Parts Name
1	2E2-006-01	B26M-050 SCREW
2	2F6-043-02	ROTOR NUT HOLDING PLATE
3	2E3-053-01	HANDLE NUT
4	2YH-355-01	HANDLE TOTAL ASSEMBLY
5	2F5-062-01	DRIVE GEAR SHAFT COVER
6	2E9-006-01	O RING
7	2C1-075-01	COLLAR
8	2W1-154-01	101-180 WASHER
9	2Z1-023-05	814-4 BALL BEARING
10	2E2-014-02	F26M-060 SCREW
11	2F5-395-01	DRAG LEVER QUADRANT
12	2E2-064-01	H30M-100 SCREW
13	2YF-162-03	LEFT SIDE COVER ASSEMBLY
14	2Y2-007-01	ONE-WAY CLUTCH BEARING ASSEMBLY
15	2Z1-034-05	1019-7 BALL BEARING
16	2W1-152-01	111-146 WASHER
17	2A3-022-01	RATCHET
18	2G1-076-01	DRIVE GEAR
19	2M3-035-01	GEAR SHAFT
20	2F6-039-01	COUPLING PLATE
21	2E2-058-01	F30M-045 SCREW
22	2E2-037-01	A26M-060 SCREW
23	2F6-038-01	HOLDING PLATE
24	2Q2-009-01	CLICK PAWL SPRING
25	2A4-049-01	ANTI-REVERSE PAWL
26	2Q1-078-01	CLICK BUTTON SPRING
27	2P1-062-01	CLICK PLUNGER
28	2E5-006-01	E2.5 RETAINER
29	2W1-204-01	034-065 WASHER
30	2Q1-102-01	CLICK PLUNGER SPRING
31	2F7-005-01	CLICK SWITCH
32	2W1-074-01	147-226 WASHER
33	2A2-093-01	DRAG CAM
34	2P1-018-01	DRAG CAM PIN
35	2F8-017-02	BEARING HOLDER
36	2E0-017-02	PRESET SCREW
37	2Z1-036-05	617-6 BALL BEARING
38	2E4-025-01	BEARING RETAINER
39	2G2-105-01	PINION GEAR
40	2F3-028-01	CLICK PLATE
41	2E9-024-01	WATER PROOF RING A
42	2E9-025-01	WATER PROOF RING B
43	2Z1-035-05	917-5 BALL BEARING
44	2C1-050-01	PRESSURE RELEASE SPRING COLLAR
45	2Q1-068-01	DRAG SPRING

Key

Key No.	Parts No.	Parts Name
46	2S1-259-02	SPOOL
47	2Z1-003-05	714-5 BALL BEARING
48	2C1-072-01	COLLAR
49	2L1-006-01	SPRING WASHER
50	2W1-078-01	072-100 WASHER
51	2YD-079-01	BRAKE DISC ASSEMBLY
52	2W5-072-01	DRAG PLATE
53	2F5-345-01	BRAKE DISC COVER
54	2YB-171-23	BODY ASSEMBLY
55	2Z1-025-05	719-6 BALL BEARING
56	2W1-163-01	120-188 WASHER
57	2YF-111-49	RIGHT SIDE COVER ASSEMBLY
58	2D4-013-01	DRAG LEVER
59	2W1-153-01	140-226 WASHER
60	2E5-018-01	E6.0 RETAINER
61	2W1-077-01	075-140 WASHER
62	2F5-393-01	FIGHTING LEVER COVER
63	2F8-085-01	CLICK LEAF SPRING HOLDER
64	2L3-035-01	CLICK LEAF SPRING
65	2W1-182-01	071-100 WASHER
66	2Q1-089-01	COMPRESSION SPRING
67	2D1-031-01	PRESET DRAG KNOB
68	2S3-014-01	PUSH BUTTON
69	2F8-112-01	CLICK HOLD
70	2C1-112-01	SPACER
71	2YP-004-01	CLICK PIN ASSEMBLY
72	2Q1-028-01	BUSH BUTTON SPRING
73	2F5-120-01	BUTTON CAP
74	2C1-115-01	CLICK PIN BUSHING
75	2E2-081-03	X50M-310 SCREW
76	2YF-138-01	ROD CLAMP ASSEMBLY
77	2X3-009-01	HEX WRENCH
78	2X3-010-01	WRENCH
79	2X3-004-02	WRENCH
	STL16(R)	SPECIAL PARTS
13	2YF-162-04	LEFT SIDE COVER ASSEMBLY
54	2YB-171-24	BODY ASSEMBLY
57	2YF-111-50	RIGHT SIDE COVER ASSEMBLY
	STL16(G)	SPECIAL PARTS
13	2YF-162-02	LEFT SIDE COVER ASSEMBLY
54	2YB-171-25	BODY ASSEMBLY
57	2YF-111-51	RIGHT SIDE COVER ASSEMBLY
	SPECIAL PARTS (USA)	
4	2YH-357-01	HANDEL TOTAL ASSEMBLY