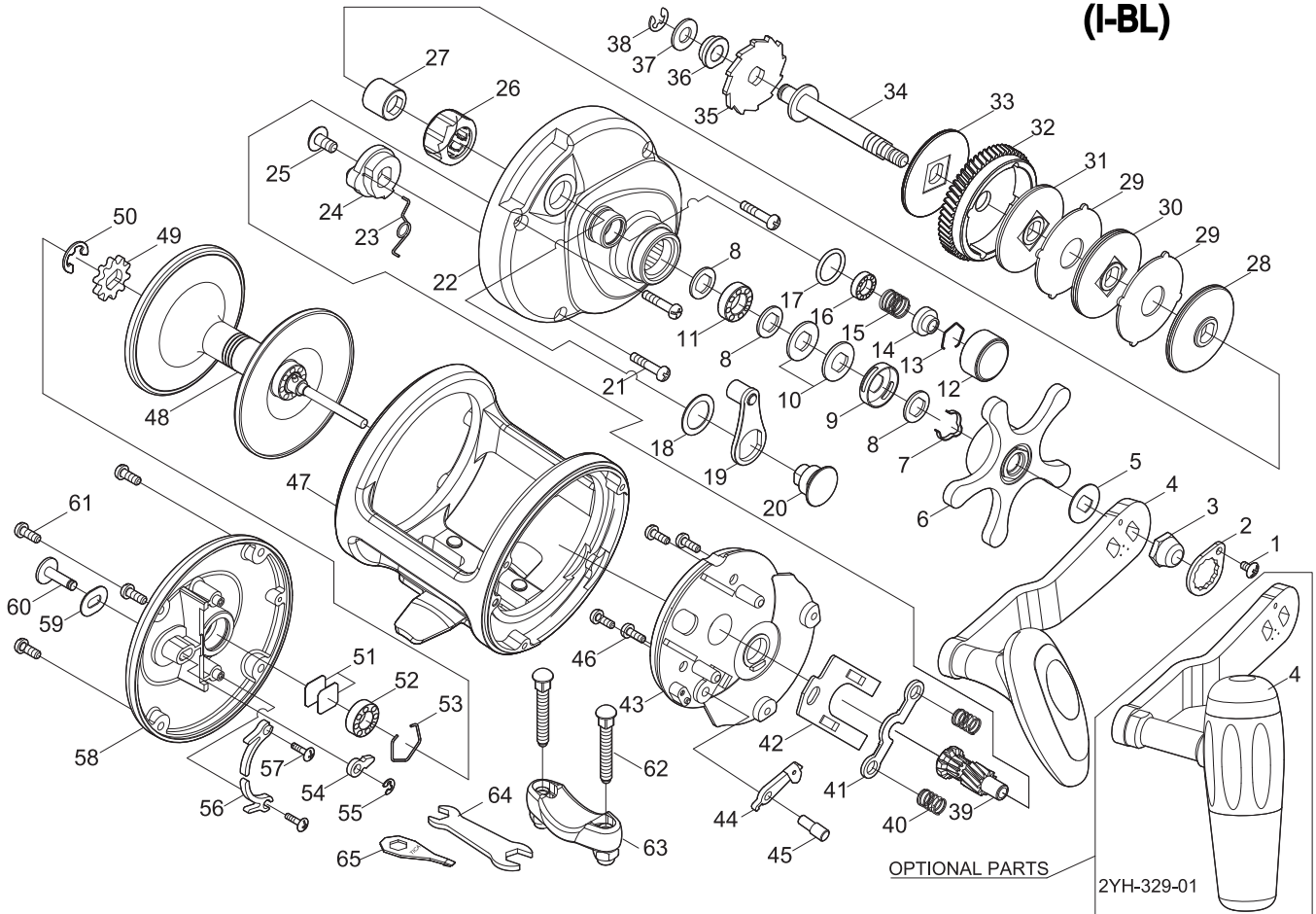




SALTWATER REEL

Sea Waves

SWP16NH / SWP16H / SWP16WH
 (I-BL)



Key NO.	Parts No.	Parts name	Key NO.	Parts No.	Parts name
1	2E2-006-01	B26M-050 SCREW	40	2Q1-080-01	YOKE SPRING
2	2F6-043-02	ROTOR NUT HOLDING PLATE	41	2A2-068-01	PINION YOKE
3	2E3-027-01	HANDLE NUT	42	2F6-095-01	YOKE PLATE
4	2YH-352-02	HANDLE TOTAL ASSEMBLY	43	2F5-316-02	GEAR SETTING PLATE
5	2W2-044-01	KEY WASHER	44	2YA-036-01	ANTI-REVERSE PAWL
6	2YD-046-03	STAR DRAG LEVER ASSY	45	2P1-036-01	ANTI-REVERSE PAWL PIN
7	2L3-025-01	CLICK LEAF SPRING	46	2E2-075-01	A30M-100 SCREW
8	2W2-043-01	KEY WASHER	47	2YB-230-53	BODY ASSEMBLY
9	2F8-060-01	CLICK LEAF SPRING HOLDER	48	2YS-263-02	SPOOL ASSEMBLY
10	2L1-007-01	SPRING WASHER	49	2F3-062-01	CLICK GEAR
11	2Z1-023-05	814-4 BALL BEARING	50	2E5-018-01	E6.0 RETAINER
12	2E3-063-01	CAST CONTROL NUT	51	2W5-016-01	CAST CONTROL SPACER
13	2E4-011-01	BEARING RETAINER	52	2Z1-039-05	713-4 BALL BEARING
14	2F5-319-01	BEARING RETAINER	53	2E4-017-01	DRAG WASHER RETAINER
15	2Q1-095-01	BEARING RETAINER SPRING	54	2F4-020-01	CLICK PAWL
16	2Z1-013-05	610-3 BALL BEARING	55	2E5-006-01	E2.5 RETAINER
17	2E9-033-01	O RING	56	2F2-020-01	CLICK SPRING
18	2W1-198-01	111-158 WASHER	57	2E2-072-01	B20m-060 SCREW
19	2YS-229-01	CLUTCH LEVER ASSEMBLY	58	2F5-315-06	LEFT SIDE COVER
20	2P3-038-01	LEVER PIN	59	2W5-040-01	CLICK SWITCH WASHER
21	2E2-074-01	A30M-150 SCREW	60	2F7-006-02	CLICK SWITCH
22	2YF-171-03	RIGHT SIDE COVER ASSEMBLY	61	2E2-028-01	A30M-080 SCREW
23	2Q3-099-01	CLUTCH SPRING	62	2E2-081-03	X50M-310 SCREW
24	2A2-069-01	CLUTCH CAM	63	2YF-138-01	ROD CLAMP ASSEMBLY
25	2E2-073-01	B40M-080 SCREW	64	2X3-010-01	WRENCH
26	2YZ-013-01	ONE-WAY CLUTCH BEARING ASSEMBLY	65	2X3-004-02	WRENCH
27	2A4-026-01	ONE-WAY CLUTCH INNER TUBE			
28	2YW-003-01	BAIL HOLDER ASSEMBLY	SWP16L(I-R)	SPECIAL PARTS	
29	2W3-033-01	EARED WASHER	22	2YF-171-06	RIGHT SIDE COVER ASSEMBLY
30	2YW-004-01	BAIL HOLDER ASSEMBLY	47	2YB-202-53	BODY ASSEMBLY
31	2YW-002-01	BAIL HOLDER ASSEMBLY	48	2YS-265-02	SPOOL ASSEMBLY
32	2G1-143-01	DRIVE GEAR	58	2F5-315-09	LEFT SIDE COVER
33	2YW-001-01	BAIL HOLDER ASSEMBLY	SWP16WL(I-R)	SPECIAL PARTS	
34	2M3-130-01	GEAR SHAFT	22	2YF-171-10	RIGHT SIDE COVER ASSEMBLY
35	2A3-034-01	RATCHET	47	2YB-201-53	BODY ASSEMBLY
36	2Z2-017-01	BUSHING	48	2YS-260-02	SPOOL ASSEMBLY
37	2W1-169-01	061-120 WASHER	58	2F5-315-14	LEFT SIDE COVER
38	2E5-028-01	E4.0 RETAINER			
39	2G2-157-01	PINION GEAR	SPECIAL PARTS (USA)		
			4	2YH-353-01	HANDLE TOTAL ASSEMBLY