

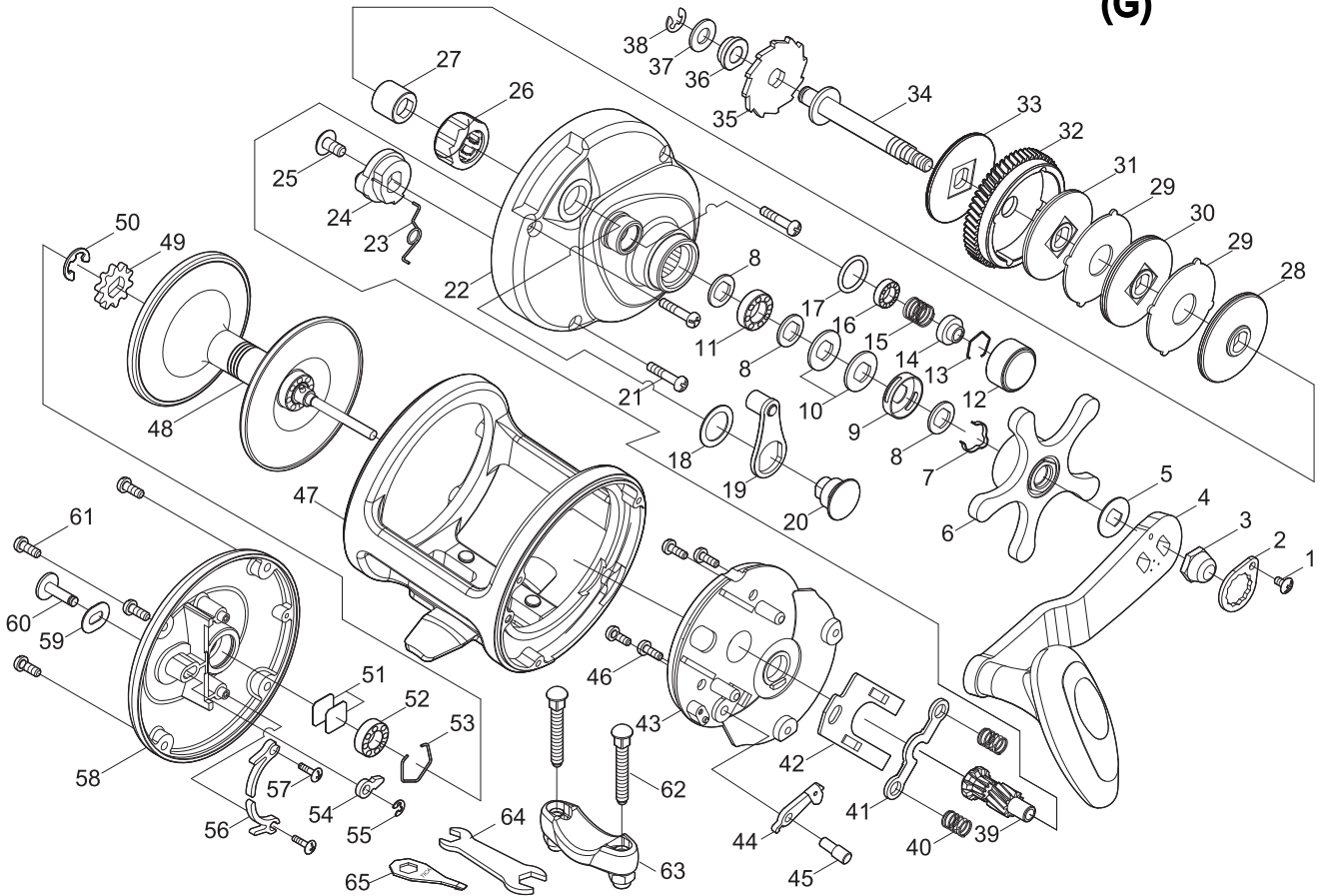


SALTWATER REEL

Sea Waves

SWP16NL / SWP16L / SWP16WL

(G)



Key NO.	Parts No.	Parts name	Key NO.	Parts No.	Parts name
1	2E2-006-01	B26M-050 SCREW	39	2G2-160-01	PINION GEAR
2	2F6-043-02	ROTOR NUT HOLDING PLATE	40	2Q1-080-01	YOKE SPRING
3	2E3-027-01	HANDLE NUT	41	2A2-068-01	PINION YOKE
4	2YH-352-01	HANDLE TOTAL ASSEMBLY	42	2F6-095-01	YOKE PLATE
5	2W2-044-01	KEY WASHER	43	2F5-316-01	GEAR SETTING PLATE
6	2YD-046-01	STAR DRAG LEVER ASSY	44	2YA-036-01	ANTI-REVERSE PAWL
7	2L3-025-01	CLICK LEAF SPRING	45	2P1-036-01	ANTI-REVERSE PAWL PIN
8	2W2-043-01	KEY WASHER	46	2E2-075-01	A30M-100 SCREW
9	2F8-060-01	CLICK LEAF SPRING HOLDER	47	2YB-230-55	BODY ASSEMBLY
10	2L1-007-01	SPRING WASHER	48	2YS-263-01	SPOOL ASSEMBLY
11	2Z1-023-05	814-4 BALL BEARING	49	2F3-062-01	CLICK GEAR
12	2E3-063-01	CAST CONTROL NUT	50	2E5-018-01	E6.0 RETAINER
13	2E4-011-01	BEARING RETAINER	51	2W5-016-01	CAST CONTROL SPACER
14	2F5-319-01	BEARING RETAINER	52	2Z1-039-05	713-4 BALL BEARING
15	2Q1-095-01	BEARING RETAINER SPRING	53	2E4-017-01	DRAG WASHER RETAINER
16	2Z1-013-05	610-3 BALL BEARING	54	2F4-020-01	CLICK PAWL
17	2E9-033-01	O RING	55	2E5-006-01	E2.5 RETAINER
18	2W1-198-01	111-158 WASHER	56	2F2-020-01	CLICK SPRING
19	2YS-229-01	CLUTCH LEVER ASSEMBLY	57	2E2-072-01	b20M-060 SCREW
20	2P3-038-01	LEVER PIN	58	2YF-121-16	LEFT SIDE COVER ASSEMBLY
21	2E2-074-01	A30M-150 SCREW	59	2W5-040-01	CLICK SWITCH WASHER
22	2YF-171-13	RIGHT SIDE COVER ASSEMBLY	60	2F7-006-02	CLICK SWITCH
23	2Q3-099-01	CLUTCH SPRING	61	2E2-028-01	A30M-080 SCREW
24	2A2-069-01	CLUTCH CAM	62	2E2-081-03	X50M-310 SCREW
25	2E2-073-01	B40M-080 SCREW	63	2YF-138-01	ROD CLAMP ASSEMBLY
26	2YZ-013-01	ONE-WAY CLUTCH BEARING ASSEMBLY	64	2X3-010-01	WRENCH
27	2A4-026-01	ONE-WAY CLUTCH INNER TUBE	65	2X3-004-02	WRENCH
28	2YW-003-01	BAIL HOLDER ASSEMBLY			
29	2W3-033-01	EARED WASHER	SWP16L(G)	SPECIAL PARTS	
30	2YW-004-01	BAIL HOLDER ASSEMBLY	22	2YF-171-14	RIGHT SIDE COVER ASSEMBLY
31	2YW-002-01	BAIL HOLDER ASSEMBLY	47	2YB-202-55	BODY ASSEMBLY
32	2G1-146-01	DRIVE GEAR	48	2YS-265-01	SPOOL ASSEMBLY
33	2YW-001-01	BAIL HOLDER ASSEMBLY	58	2YF-121-17	LEFT SIDE COVER ASSEMBLY
34	2M3-130-01	GEAR SHAFT	SWP16WL(G)	SPECIAL PARTS	
35	2A3-034-01	RATCHET	22	2YF-171-17	RIGHT SIDE COVER ASSEMBLY
36	2Z2-017-01	BUSHING	47	2YB-201-55	BODY ASSEMBLY
37	2W1-169-01	061-120 WASHER	48	2YS-260-01	SPOOL ASSEMBLY
38	2E5-028-01	E4.0 RETAINER	58	2YF-121-20	LEFT SIDE COVER ASSEMBLY