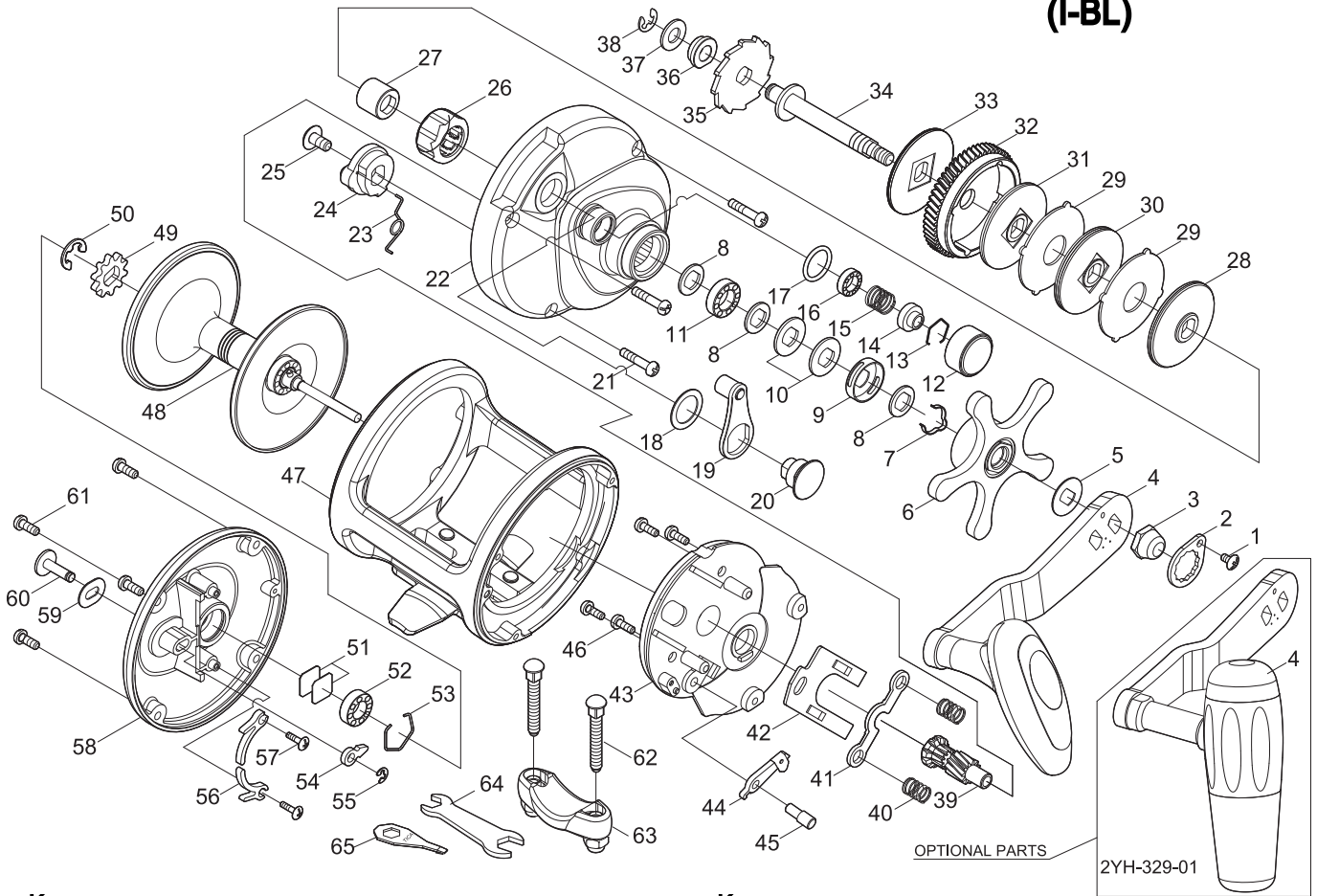




SALTWATER REEL

Sea Waves

SWP16NL / SWP16L / SWP16WL
 (I-BL)



Key NO.

Parts No.

Parts name

1	2E2-006-01	B26M-050 SCREW
2	2F6-043-02	ROTOR NUT HOLDING PLATE
3	2E3-027-01	HANDLE NUT
4	2YH-352-02	HANDLE TOTAL ASSEMBLY
5	2W2-044-01	KEY WASHER
6	2YD-046-03	STAR DRAG LEVER ASSY
7	2L3-025-01	CLICK LEAF SPRING
8	2W2-043-01	KEY WASHER
9	2F8-060-01	CLICK LEAF SPRING HOLDER
10	2L1-007-01	SPRING WASHER
11	2Z1-023-05	814-4 BALL BEARING
12	2E3-063-01	CAST CONTROL NUT
13	2E4-011-01	BEARING RETAINER
14	2F5-319-01	BEARING RETAINER
15	2Q1-095-01	BEARING RETAINER SPRING
16	2Z1-013-05	610-3 BALL BEARING
17	2E9-033-01	O RING
18	2W1-198-01	111-158 WASHER
19	2YS-229-01	CLUTCH LEVER ASSEMBLY
20	2P3-038-01	LEVER PIN
21	2E2-074-01	A30M-150 SCREW
22	2YF-171-09	RIGHT SIDE COVER
23	2Q3-099-01	CLUTCH SPRING
24	2A2-069-01	CLUTCH CAM
25	2E2-073-01	B40M-080 SCREW
26	2YZ-013-01	ONE-WAY CLUTCH BEARING ASSEMBLY
27	2A4-026-01	ONE-WAY CLUTCH INNER TUBE
28	2YW-003-01	BAIL HOLDER ASSEMBLY
29	2W3-033-01	EARED WASHER
30	2YW-004-01	BAIL HOLDER ASSEMBLY
31	2YW-002-01	BAIL HOLDER ASSEMBLY
32	2G1-146-01	DRIVE GEAR
33	2YW-001-01	BAIL HOLDER ASSEMBLY
34	2M3-130-01	GEAR SHAFT
35	2A3-034-01	RATCHET
36	2Z2-017-01	BUSHING
37	2W1-169-01	061-120 WASHER
38	2E5-028-01	E4.0 RETAINER
39	2G2-160-01	PINION GEAR

Key NO.

Parts No.

Parts name

40	2Q1-080-01	YOKE SPRING
41	2A2-068-01	PINION YOKE
42	2F6-095-01	YOKE PLATE
43	2F5-316-02	GEAR SETTING PLATE
44	2YA-036-01	ANTI-REVERSE PAWL
45	2P1-036-01	ANTI-REVERSE PAWL PIN
46	2E2-075-01	A30M-100 SCREW
47	2YB-230-54	BODY ASSEMBLY
48	2YS-263-02	SPOOL ASSEMBLY
49	2F3-062-01	CLICK GEAR
50	2E5-018-01	E6.0 RETAINER
51	2W5-016-01	CAST CONTROL SPACER
52	2Z1-039-05	713-4 BALL BEARING
53	2E4-017-01	DRAG WASHER RETAINER
54	2F4-020-01	CLICK PAWL
55	2E5-006-01	E2.5 RETAINER
56	2F2-020-01	CLICK SPRING
57	2E2-072-01	b20M-060 SCREW
58	2YF-121-12	LEFT SIDE COVER ASSEMBLY
59	2W5-040-01	CLICK SWITCH WASHER
60	2F7-006-02	CLICK SWITCH
61	2E2-028-01	A30M-080 SCREW
62	2E2-081-03	X50M-310 SCREW
63	2YF-138-01	ROD CLAMP ASSEMBLY
64	2X3-010-01	WRENCH
65	2X3-004-02	WRENCH
SWP16L(I-BL) SPECIAL PARTS		
22	2YF-171-12	RIGHT SIDE COVER ASSEMBLY
47	2YB-202-54	BODY ASSEMBLY
48	2YS-265-02	SPOOL ASSEMBLY
58	2YF-121-13	LEFT SIDE COVER ASSEMBLY
SWP16WL(I-BL) SPECIAL PARTS		
22	2YF-171-11	RIGHT SIDE COVER ASSEMBLY
47	2YB-201-54	BODY ASSEMBLY
48	2YS-260-02	SPOOL ASSEMBLY
58	2YF-121-15	LEFT SIDE COVER ASSEMBLY
SPECIAL PARTS(USA)		
4	2YH-353-01	HANDLE TOTAL ASSEMBLY