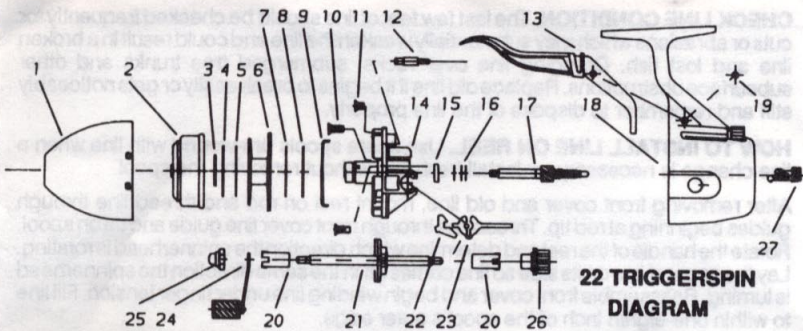


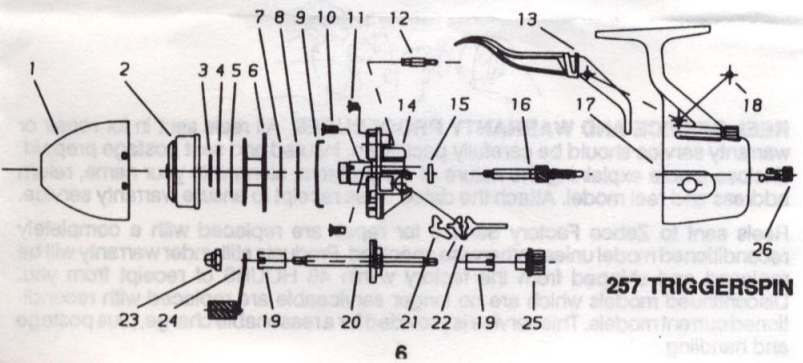
ZEBCO TRIGGER SPIN 22TS 257TS

TRIGGERSPIN OWNER'S MANUAL

| SPECIFICATIONS | | | |
|----------------|-------------------------------------|---------------|-------------|
| APPLICATION | LINE CAPACITY (Yards/Pound-Test) | GEAR RATIO | WEIGHT (oz) |
| Lt. Freshwater | 80/6 | 4.1:1 | 7.0 |



**22 TRIGGERSPIN
DIAGRAM**



**257 TRIGGERSPIN
DIAGRAM**

22 TRIGGERSPIN PARTS LIST

257 TRIGGERSPIN PARTS LIST

| ITEM | PART NO. | DESCRIPTION |
|------|----------|------------------------|
| 1 | SE324-1 | Assembly - Front Cover |
| 2 | SE310 | Assembly - Spinnerhead |
| 3 | SE034 | Spool Clip |
| 4 | SE040-2 | Spool Washer (Steel) |
| 5 | SE108-2 | Drag Washer (Plastic) |
| 6 | SE321-1 | Assembly - Spool |
| 7 | SE108-1 | Drag Washer (Plastic) |
| 8 | SE040-1 | Spool Washer (Steel) |
| 9 | SE027 | Clutch Ring |
| 10 | KE126 | Screw |
| 11 | SE126 | Screw |
| 12 | TE054 | Drag Screw |
| 13 | TE350 | Assembly - Trigger |
| 14 | SE301 | Assembly - Body |
| 15 | SE017 | Center Bushing |
| 16 | SE070 | Washer (Plastic) |
| 17 | SE315 | Assembly - Centershaft |
| 18 | TE323-1 | Assembly - Back Cover |
| 19 | CJ172-3 | Spring Pin |
| 20 | KE026 | Crank Bushing |
| 21 | TE308 | Assembly - Crankshaft |
| 22 | KE060 | Anti-Reverse Pawl |
| 23 | TE061 | Anti-Reverse Drag |
| 24 | TE318 | Assembly - Handle |
| 25 | AZ003 | Crank Nut |
| 26 | TE068 | Cap |
| 27 | TE002 | Anti-Reverse Actuator |

| ITEM | PART NO. | DESCRIPTION |
|------|----------|------------------------|
| 1 | SE324-3 | Assembly - Front Cover |
| 2 | SE310 | Assembly - Spinnerhead |
| 3 | SE034 | Spool Clip |
| 4 | SE040-2 | Spool Washer (Steel) |
| 5 | SE108-2 | Drag Washer (Plastic) |
| 6 | SE321-1 | Assembly - Spool |
| 7 | SE108-1 | Drag Washer (Plastic) |
| 8 | SE040-1 | Spool Washer (Steel) |
| 9 | SE027 | Clutch Ring |
| 10 | KE126 | Screw |
| 11 | SE126 | Screw |
| 12 | TE054 | Drag Screw |
| 13 | TE350 | Assembly - Trigger |
| 14 | SE301 | Assembly - Body |
| 15 | BJ017 | Ball Bearing |
| 16 | SE315 | Assembly - Centershaft |
| 17 | TE323-2 | Assembly - Back Cover |
| 18 | CJ172-3 | Spring Pin |
| 19 | KE026 | Crank Bushing |
| 20 | TE308 | Assembly - Crankshaft |
| 21 | KE060 | Anti-Reverse Pawl |
| 22 | TE061 | Anti-Reverse Drag |
| 23 | AZ003 | Crank Nut |
| 24 | TE318 | Assembly - Handle |
| 25 | TE068 | Cap |
| 26 | TE002 | Anti-Reverse Actuator |

Always order by Part Number, Description and Model number.