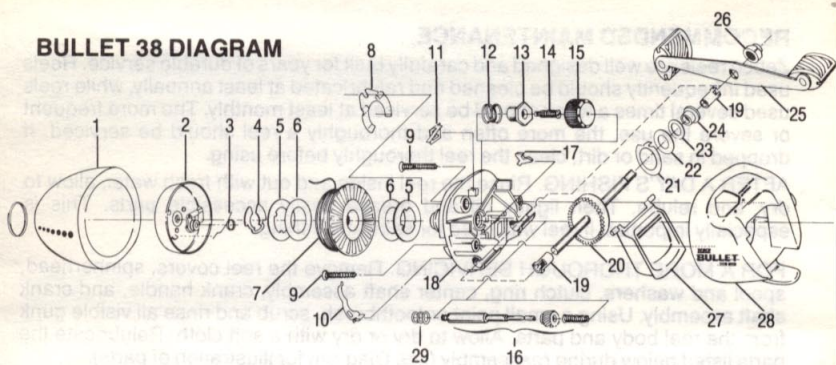


ZEBCO BULLET™ .38 .357

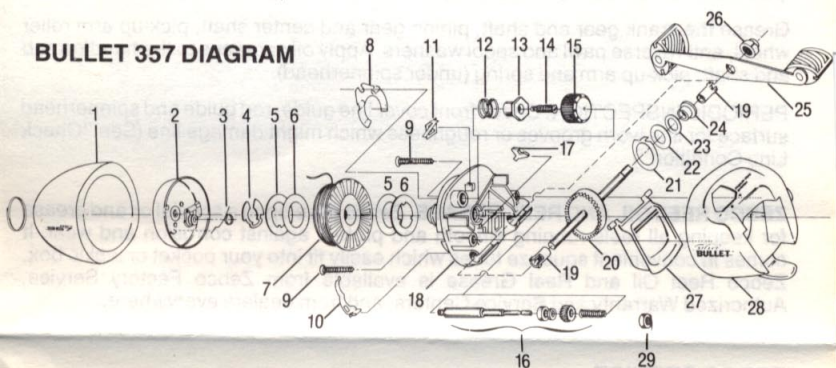
WORLD'S MOST CASTABLE REEL.

SPECIFICATIONS				
MODEL	APPLICATION	LINE CAPACITY (Yards/Pound-Test)	GEAR RATIO	WEIGHT (oz)
38	Med. Freshwater	100/8	3.6:1	7.7
357	Med. Freshwater	90/10	3.6:1	7.7

BULLET 38 DIAGRAM



BULLET 357 DIAGRAM



BULLET .38 PARTS LIST

Key No.	Part No.	Description
1	KE324-1	Front Cover Assembly
2	KE310	Spinnerhead Assembly
3	KE049	Spring - Pick-up
4	RY034-2	Spool Clip
5	JY040	Spool Washer
6	JY108	Drag Washer
7	KE321-3	Spool w/8 lb. Line
	KE021-2	Spool-Empty
8	KE027-2	Clutch Ring
9	KE126	Screws
10	RY033	Ratchet Spring
11	BE064	Click Spring
12	KE072	Drag Spring
13	KE050	Drag Nut
14	KE054-2	Drag Screw
15	KE032-3	Drag Wheel
16	KE315-2	Centershaft Assembly
17	KE060	Anti-Reverse Pawl
18	DE301-2	Body Assembly
19	KE026	Bushing - Crankshaft
20	KE308	Crankshaft Assembly
21	KE061	Anti-Reverse Actuator
22	BD008	Washer
23	BJ107-2	Washer-Mylar
24	KE039	Bushing
25	KE318-3	Handle Assembly
26	AZ003	Crank Nut
27	KE009	Thumb Stop
28	KE023-1	Back Cover
29	KE070	Washer

BULLET .357 PARTS LIST

Key No.	Part No.	Description
1	KE324-2	Front Cover Assembly
2	KE310	Spinnerhead Assembly
3	KE049	Spring - Pick-up
4	RY034-2	Spool Clip
5	JY040	Spool Washer
6	JY108	Drag Washer
7	KE321-4	Spool w/10 lb. Line
	KE021-2	Spool-Empty
8	KE027-2	Clutch Ring
9	KE126	Screws
10	RY033	Ratchet Spring
11	BE064	Click Spring
12	KE072	Drag Spring
13	KE050	Drag Nut
14	KE054-2	Drag Screw
15	KE032-3	Drag Wheel
16	KE315	Centershaft Assembly
17	KE060	Anti-Reverse Pawl
18	DE301	Body Assembly
19	KE026	Bushing - Crankshaft
20	KE308	Crankshaft Assembly
21	KE061	Anti-Reverse Actuator
22	BD008	Washer
23	BJ107-2	Washer-Mylar
24	KE039	Bushing
25	KE318-4	Handle Assembly
26	AZ003	Crank Nut
27	KE009	Thumb Stop
28	KE023-2	Back Cover
29	KE317	Ball Bearing