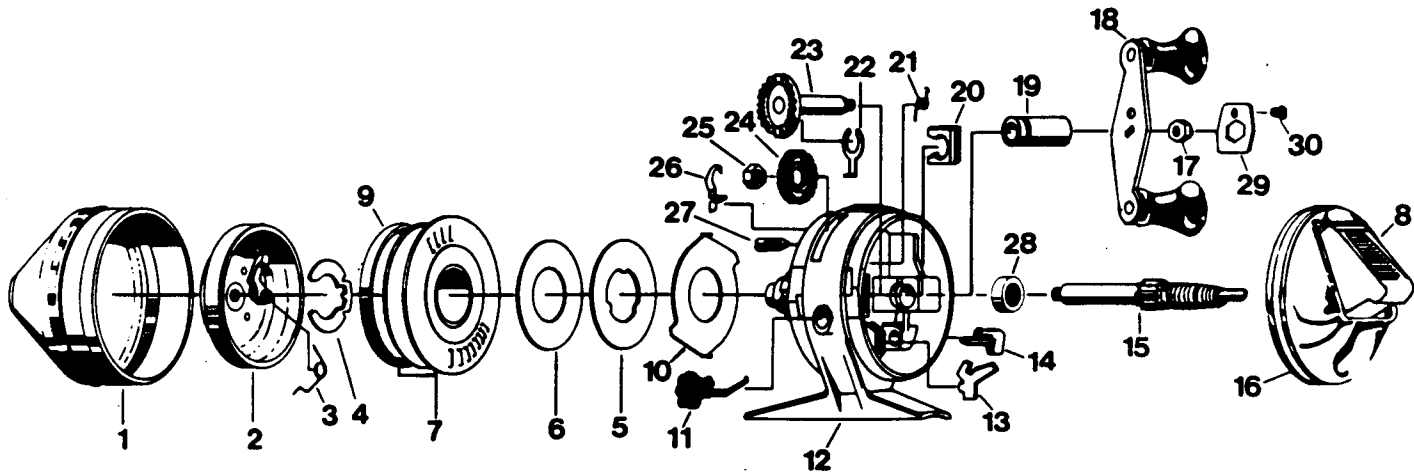


ZEBCO 33 CLASSIC



Key No.	Part No.	Description	Price	Key No.	Part No.	Description	Price
1	VY324	FRONT COVER	3.80	26	RY033	RATCHET SPRING	.49
2	RY310-1	SPINNERHEAD ASSY.	4.36	27	BJ054-2	CLUTCH SCREW	.66
3	RY049	SPRING - PICKUP ARM	.44	28	RY030	BALL BEARING	6.63
4	RY034-1	SPOOL RETAINER CLIP	.44	29	VY056	NUT LOCK	.25
5	CJ040-1	SPOOL WASHER (METAL)	.95	30	VY057	SCREW	.20
6	CJ108-1	FLAT WASHER	.38				
7	RY021-1	SPOOL (EMPTY)	2.27				
7	RY321-10H	WOUND SPOOL 10# MONO H.P.	5.58				
8	VY309	THUMB STOP S/A	1.05				
9	RY036-1	SPOOL LIP	.62				
10	RY027-1	CLUTCH RING	.95				
11	RY014-1	BAIT CLICK	.74				
12	VY301-3	BODY	12.78				
13	RY060-1	ANTI-REVERSE PAWL	.56				
14	RY002	ANTI-REVERSE KNOB	.74				
15	RY315-1	CENTER SHAFT	3.38				
16	VY323	BACK COVER S/A	3.64				
17	VY003	CRANK NUT	.56				
18	KZ318-6	HANDLE ASSY	3.69				
19	RY026-1	CRANK BEARING	.56				
20	RY029-1	BEARING RETAINER CLIP	.38				
21	RY064-1	DRAG ADJUSTMENT SPRING	.44				
22	JY061	PAWL ACTUATOR	.44				
23	RY308	CRANK SHAFT ASSY	2.95				
24	RY332-2	DRAG WHEEL ASSY.	1.04				
25	RY077-1	HEX NUT	.44				

Prices subject to change without notice. Prices do not include postage and handling.

PLEASE ORDER BY PART NUMBER

Rev. 5/93

Zebco Division Brunswick Corporation, Box 270, Tulsa, OK 74101 USA 918-836-5581

