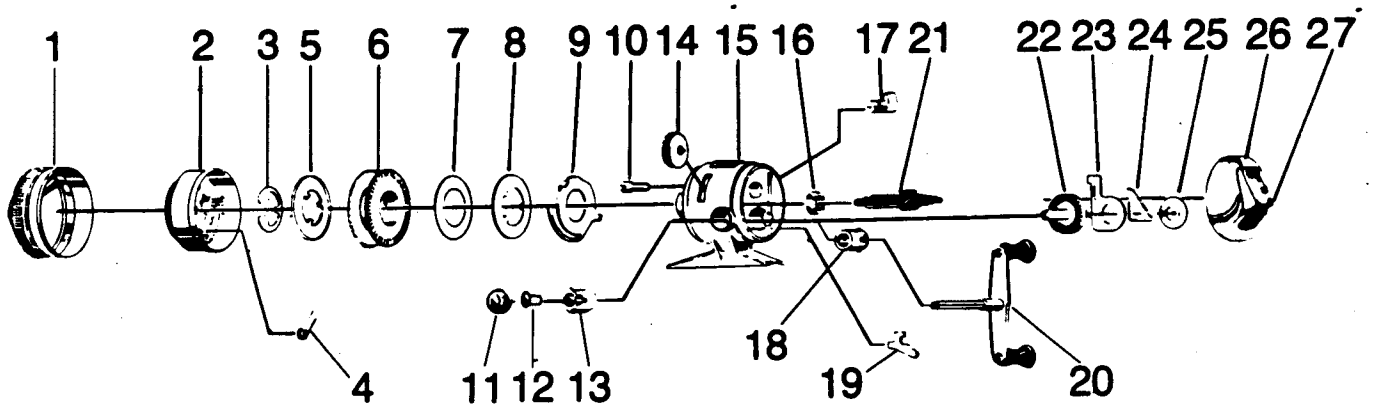


# ZEBCO UL3



Key No.	Part No.	Description	Price	Key No.	Part No.	Description	Price
1	BE324-1	FRONT COVER	4.65	26	BE323-1	BACK COVER	4.31
2	BE310	SPINNERHEAD S/A	4.73	27	BE009	THUMBSTOP-	1.23
3	XZ034	SPOOL CLIP	.33				
4	AJ049	PICK UP PIN SPRING	.31				
5	BE036	LIP	1.23				
6	BE021	SPOOL	1.72				
6	BE321-4H	WOUND SPOOL 4# MONO HI PF	4.54				
7	BJ108	FLAT WASHER	.38				
8	BJ040	SPOOL WASHER	.56				
9	BJ027	CLUTCH RING	1.36				
10	BJ054-2	CLUTCH SCREW	.66				
11	BE074	CLOSURE CAP	.42				
12	BJ069	CRANK ROD NUT	.80				
13	BJ026	CRANK BEARING	1.23				
14	BJ032	CLUTCH WHEEL	.85				
15	BE301-1	BODY W/ (10,14-17)	10.32				
16	BJ017	BALL BEARING	5.90				
17	BE002	ANTI-REVERSE ACTUATOR	1.10				
18	BJ026	CRANK BEARING	1.23				
19	BJ060	ANTI-REV PAWL	.91				
20	BE318-1	CRANK HANDLE S/A	4.73				
21	BE315	CENTERSHAFT S/A	4.31				
22	BJ012	CRANK GEAR	2.09				
23	BJ014	ANTI-REVERSE DRAG	.85				
24	BE061	ANTI-REVERSE PAWL SPRING	.62				
25	BJ106	FLAT WASHER	.31				

Prices subject to change without notice. Prices do not include postage and handling.

**PLEASE ORDER BY PART NUMBER**

Rev. 5/93

Zebco Division Brunswick Corporation, Box 270, Tulsa, OK 74101 USA 918-836-5581



BRUNSWICK