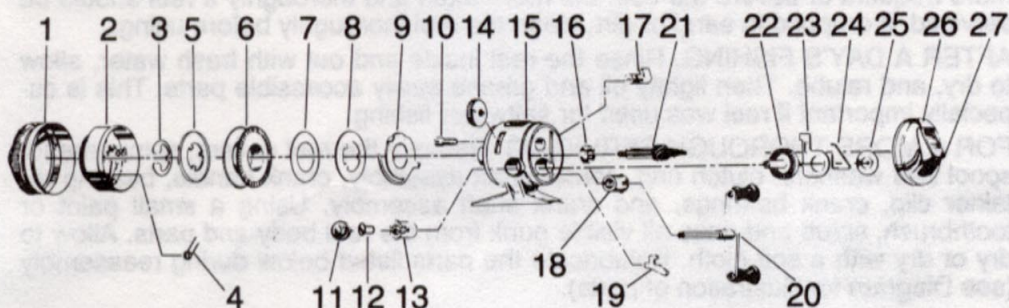


The  
Ultralite

# UL3 CLASSIC®

## UL3 SPECIFICATIONS

APPLICATION	LINE CAPACITY (Yards/Pound-Test)	GEAR RATIO	WEIGHT (oz)
Ultralight Freshwater	90 yds. 4 lb.	4.1:1	4.7



## UL3 CLASSIC PARTS LIST

Key No.	Part No.	Description	Key No.	Part No.	Description
1	BE324-3	Front Cover Assembly	13	BJ026	Crank Bearing
2	BE310	Spinnerhead Assembly	14	BE032	Clutch Wheel
3	XZ034	Spool Clip	15	BE301-1	Body w/(10,14-17)
4	AJ049	Spinnerhead Spring	16	BJ017	Center Shaft Bearing
5	BE036	Spool Lip Washer	17	BE002	Anti-Reverse Actuator
6	BE021	Spool (Empty)	18	BJ026	Crank Bearing
	BE321-4H	Spool w/4# H.P. Line	19	BJ060	Anti-Reverse Pawl
	BE321-6H	Spool w/6# H.P. Line	20	BE318-1	Handle Assy.
7	BJ108	Flat Washer (Drag)	21	BE315	Center Shaft Assembly
8	BJ040	Spool Washer (Metal)	22	BJ012	Crank Gear
9	BJ027	Clutch Ring	23	BJ014	Anti-Reverse Drag
10	BJ054	Clutch Screw	24	BE061	Anti-Rev. Pawl Spring
11	BJ074	Crank Rod Nut Cap	25	BJ106	Flat Washer (Metal)
12	BJ069	Crank Rod Nut	26	BE323-1	Back Cover w/Th. Brake
			27	BE009	Thumb Brake

Should clutch ring (10) drop out while changing spool, be sure to put largest flange in head of clutch screw (25) to reassemble.