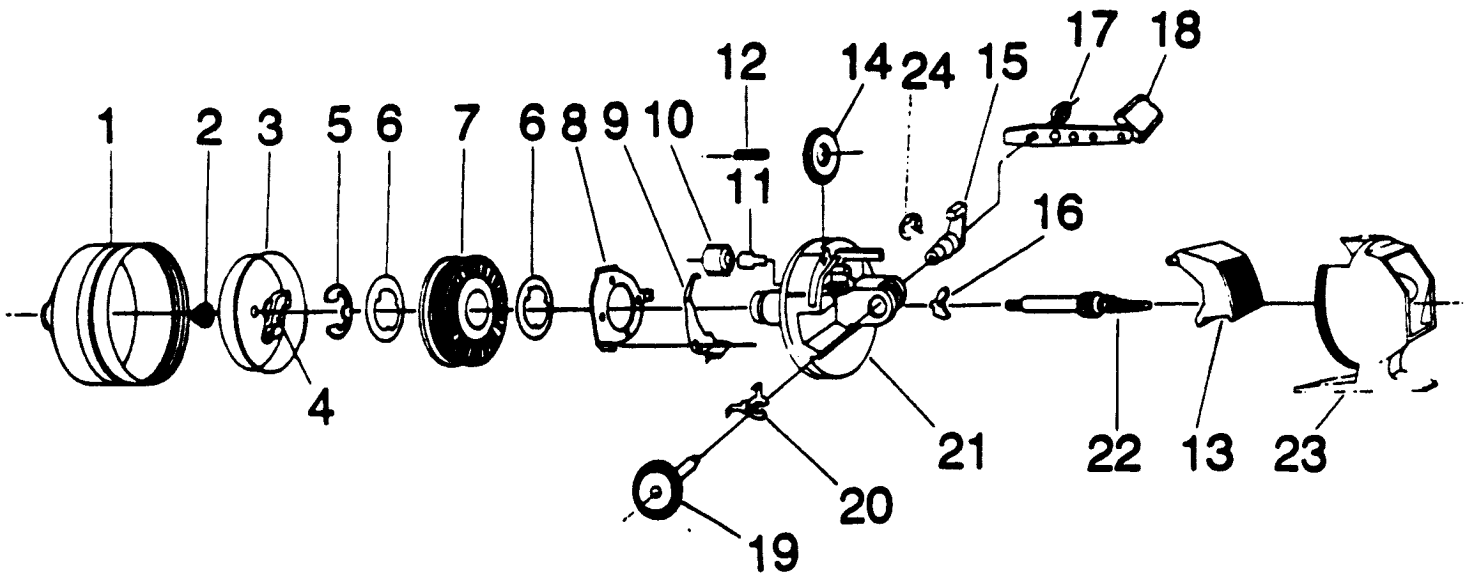


TEBCO 12/20, 12/20N



Should the anti-reverse pawl (17) drop out while changing spool, be sure to place back into body assembly with largest flange pointing toward base of reel as shown in diagram. Make sure the arm of the pawl actuator (21) rests in the center of the anti-reverse pawl to reassemble.

1220

1220N

KEY PART NO. NO.	DESCRIPTION	PRICE
1 AE324	FRONT COVER S/A	4.07
2 JZ006	SPINNER HEAD NUT	.41
3 AE310	SPINNERHEAD	4.36
4 ZZ049	PICKUP PIN FLAT SPRING	.29
5 JY034	SPOOL CLIP	.41
6 NY040	SPOOL WASHER	.77
7 JY021	SPOOL	2.00
7 JY321-8P	WIND SPOOL 88 LINE	4.87
8 AE027	CLUTCH RING	1.03
9 RY033	RATCHET SPRING	.39
10 AE169	PISTON WITH SPRING	.63
11 AE168	DUAL DRAG CLICK SPRING	.34
12 BJ054-2	CLUTCH SCREW	.62
13 AE009	THUMB STOP	.92
14 RY332-1	DRAG ADJ. WHEEL S/A	.77
15 AE026	DRAG LEVER	2.30
16 JY060	ANTI-REVERSE PAWL	.41
17 AZ003	CRANK NUT	.52
18 AE318	CRANK HANDLE S/A	2.01
19 JY308	CRANK GEAR SUB-ASSEMBLY	2.83
20 JY061	PAWL ACTUATOR	.41
21 AE301-2	BODY (22,12,14,9)	3.86
22 MY315-2	CENTER SHAFT ASSY.	2.75
23 AE323	BACK COVER S/A	4.02
24 JY121	RETAINER CLIP	.36

KEY PART NO. NO.	DESCRIPTION	PRICE
1 ZZ324-4	FRONT COVER S/A	4.36
3 JY310	SPINNERHEAD	4.64
4 JY049	PICKUP PIN ARM SPRING	.41
5 JY034	SPOOL CLIP	.41
6 NY040	SPOOL WASHER	.77
7 JY021	SPOOL	2.00
7 JY321-8P	WIND SPOOL 88 LINE	4.87
8 AE027	CLUTCH RING	1.03
9 RY033	RATCHET SPRING	.39
10 AE169	PISTON WITH SPRING	.63
11 AE168	DUAL DRAG CLICK SPRING	.34
12 BJ054-2	CLUTCH SCREW	.62
13 AE009	THUMB STOP	.92
14 RY332-1	DRAG ADJ. WHEEL S/A	.77
15 AE026-3	DRAG LEVER	2.30
16 JY060	ANTI-REVERSE PAWL	.41
17 AZ003	CRANK NUT	.52
18 AE318	CRANK HANDLE S/A	2.01
19 JY308	CRANK GEAR SUB-ASSEMBLY	2.83
20 JY061	PAWL ACTUATOR	.41
21 AE301-2	1220N/606 BODY S/A	3.73
22 WY315-2	CENTER SHAFT S/A	4.02
23 AE323-2	BACK COVER/THUMBSTOP S/A	4.02
24 JY121	RETAINER CLIP	.36

*Key #2 (Spinner Head Nut) only needed in Model 1220.

Prices subject to change without notice. Prices do not include postage and handling.

PLEASE ORDER BY PART NUMBER

Rev. 11/80

Zebco Division Brunswick Corporation, Box 270, Tulsa, OK 74101 USA 918-838-6681

