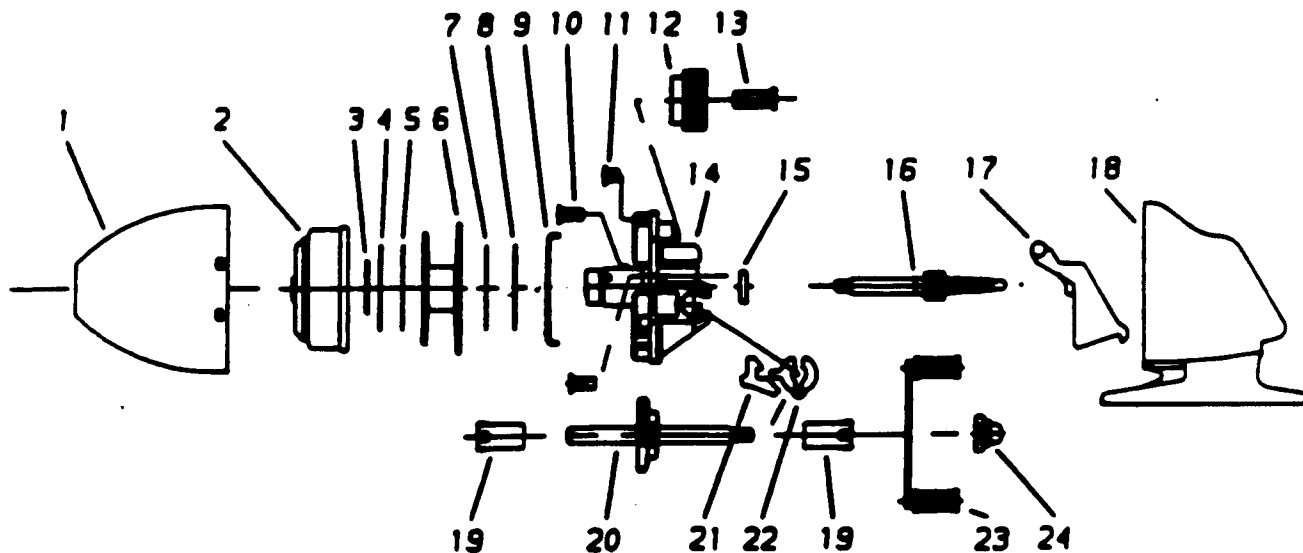


ZEBCO 257



| Key No. | Part No. | Description | Price |
|---------|----------|-----------------------|-------|
| 1 | SE324-2 | FRONT COVER | 5.67 |
| 2 | SE310 | SPINNERHEAD | 4.07 |
| 3 | SE034 | SPOOL CLIP | .36 |
| 4 | SE040-2 | SPOOL W/S - STEEL | .98 |
| 5 | SE108-2 | DRAG W/S - PLASTIC | .52 |
| 6 | SE321-1 | SPOOL W/LINE | 5.21 |
| 7 | SE108-1 | DRAG W/S - PLASTIC | .52 |
| 8 | SE040-1 | SPOOL W/S - STEEL | .46 |
| 9 | SE027 | CLUTCH RING | .98 |
| 10 | KE126 | SCREWS (2) | .48 |
| 11 | SE126 | SCREW | .67 |
| 12 | SE032 | DRAG WHEEL | 3.14 |
| 13 | SE054 | DRAG SCREW | .77 |
| 14 | SE301-2 | BODY | 9.22 |
| 15 | BJ017 | BALL BEARING | 5.90 |
| 16 | SE315 | CENTER SHAFT ASSY | 5.41 |
| 17 | SE009 | THUMB STOP | 1.08 |
| 18 | SE023-2 | BACK COVER | 3.04 |
| 19 | KE026 | CRANK BUSHING (2) | .97 |
| 20 | SE308 | CRANK SHAFT ASSY | 3.35 |
| 21 | KE060 | ANTI-REVERSE PAWL | .54 |
| 22 | SE061 | ANTI-REVERSE ACTUATOR | .98 |
| 23 | KZ318-5 | HANDLE ASSY | 4.07 |
| 24 | AZ003 | CRANK NUT | .56 |

Prices subject to change without notice. Prices do not include postage and handling.

PLEASE ORDER BY PART NUMBER

Rev. 5/93

Zebco Division Brunswick Corporation, Box 270, Tulsa, OK 74101 USA 918-836-5581

