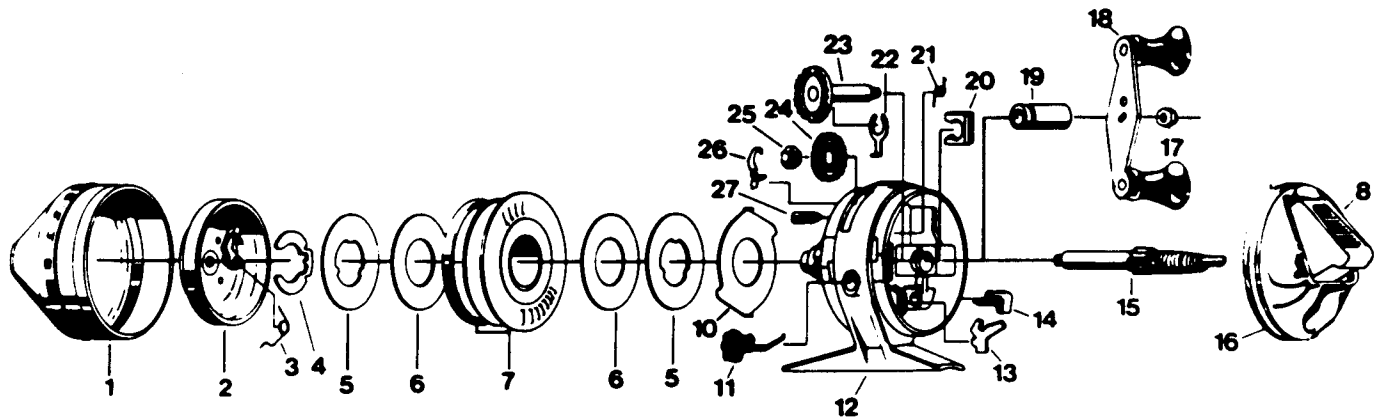


# ZEBCO 33N



Key No.	Part No.	Description	Price
1	RY324-5	FRONT COVER	3.69
2	RY310-1	SPINNERHEAD ASSY.	4.36
3	RY049-1	PICK UP ARM SPRING	.44
4	RY034-1	SPOOL RETAINER CLIP	.44
5	CJ040-1	SPOOL WASHER (METAL)	.95
6	CJ108-1	FLAT WASHER	.38
7	RY021-1	SPOOL (EMPTY)	2.27
7	RY321-10H	WOUND SPOOL 10# MONO H.P.	5.58
8	RY309-1	THUMB BRAKE	1.05
9	RY036-1	SPOOL LIP	.62
10	RY027-1	CLUTCH RING	.95
11	RY014-1	BAIT CLICK	.74
12	RY301-2	BODY ASSY.	9.83
13	RY060-1	ANTI-REVERSE PAWL	.56
14	RY002	ANTI-REVERSE KNOB	.74
15	RY315-3	CENTER SHAFT ASSY.	3.42
16	RY323	BACK COVER S/A	3.64
17	AZ003	CRANK NUT	.56
18	RY318-3	CRANK HANDLE S/A	2.15
19	RY026-1	CRANK BEARING	.56
20	RY029-1	BEARING RETAINER CLIP	.38
21	RY064-1	DRAG ADJUSTMENT SPRING	.44
22	JY061	PAWL ACTUATOR	.44
23	RY308	CRANK SHAFT ASSY	2.95
24	RY332-1	DRAG ADJ. WHEEL S/A	.82
25	RY077-1	HEX NUT	.44

Key No.	Part No.	Description	Price
26	RY033	RATCHET SPRING	.49
27	BJ054-2	CLUTCH SCREW	.66

Prices subject to change without notice. Prices do not include postage and handling.

**PLEASE ORDER BY PART NUMBER**

Rev. 5/93

Zebco Division Brunswick Corporation, Box 270, Tulsa, OK 74101 USA 918-836-5581

