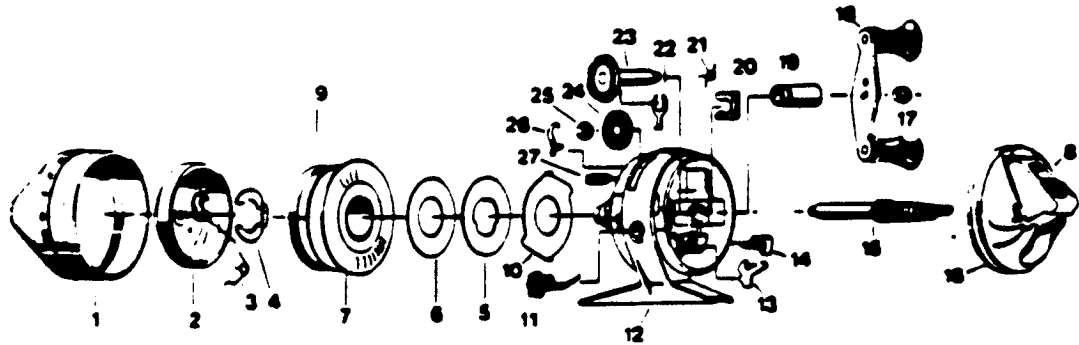


ZEBCO 33N



KEY PART

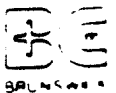
| NO. NO. | DESCRIPTION | PRICE |
|-------------|---------------------------|-------|
| 1 RY324-5 | FRONT COVER | 3.44 |
| 2 RY310-1 | SPINNERHEAD ASSY. | 4.07 |
| 3 RY049-1 | PICK UP ARM SPRING | .39 |
| 4 RY036-1 | SPOOL RETAINER CLIP | .39 |
| 5 CJO40-1 | SPOOL WASHER (METAL) | .88 |
| 6 CJ108-1 | FLAT WASHER | .36 |
| 7 RY021-1 | SPOOL (EMPTY) | 2.12 |
| 7 RY321-10M | WOUND SPOOL 10# MONO H.P. | 5.21 |
| 8 RY309-1 | THUMB BRAKE | .98 |
| 9 RY036-1 | SPOOL LIP | .58 |
| 10 RY027-1 | CLUTCH RING | .85 |
| 11 RY014-1 | BAIT CLICK | 2.12 |
| 12 RY301-2 | BODY ASSY. | 9.17 |
| 13 RY060-1 | ANTI-REVERSE PAWL | .52 |
| 14 RY002 | ANTI-REVERSE KNOB | .72 |
| 15 RY315-3 | CENTER SHAFT ASSY. | 3.15 |
| 16 RY323 | BACK COVER S/A | 3.39 |
| 17 AZ003 | CRANK NUT | .52 |
| 18 RY318-3 | CRANK HANDLE S/A | 2.01 |
| 19 RY026-1 | CRANK BEARING | .52 |
| 20 RY029-1 | BEARING RETAINER CLIP | .29 |
| 21 RY064-1 | DRAG ADJUSTMENT SPRING | .41 |
| 22 JY061 | PAWL ACTUATOR | .41 |
| 23 RY308 | CRANK SHAFT ASSY. | 2.83 |
| 24 RY332-1 | DRAG ADJ. WHEEL S/A | .77 |
| 25 RY077-1 | HEX NUT | .41 |
| 26 RY033 | RATCHET SPRING | .39 |
| 27 BJ054-2 | CLUTCH SCREW | .62 |

Prices subject to change without notice. Prices do not include postage and handling.

PLEASE ORDER BY PART NUMBER

Rev. 11/90

Zebco Division Brunswick Corporation, Box 270, Tulsa, OK 74101 USA 918-638-5881



BRUNSWICK