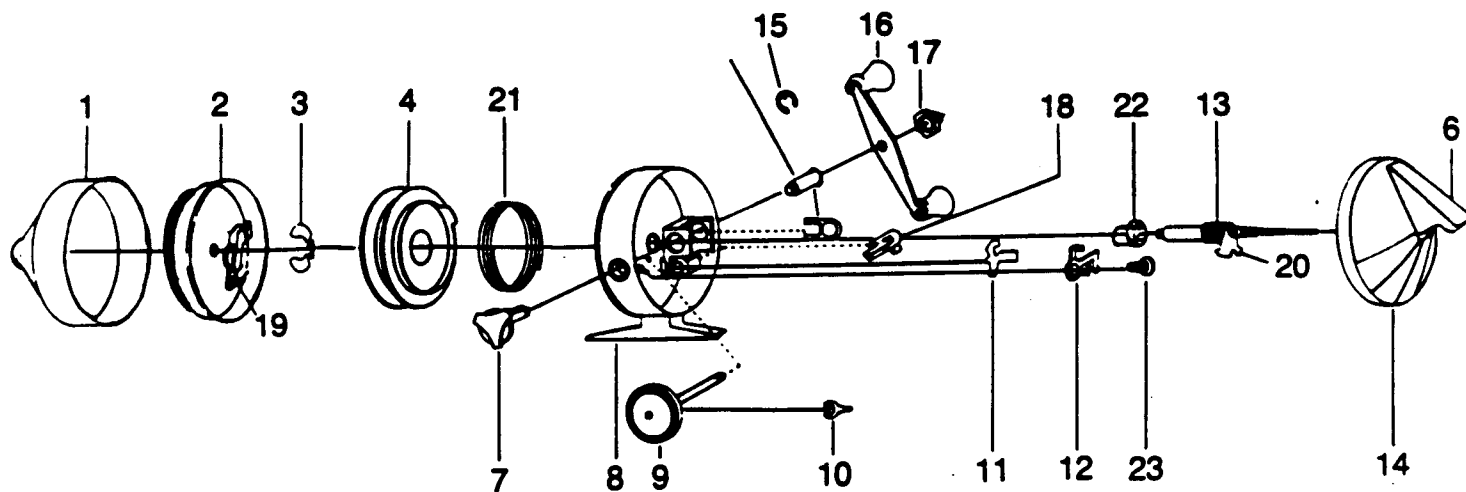


ZEBCO 733 HAWG



| Key No. | Part No. | Description | Price |
|---------|-----------|-------------------------|-------|
| 1 | KZ324-2 | FRONT COVER | 5.90 |
| 2 | KZ310 | SPINNER HEAD S/A | 6.45 |
| 3 | RY034-1 | SPOOL RETAINER CLIP | .44 |
| 4 | GE021 | SPOOL | 3.38 |
| 4 | GE321-20H | SPOOL WOUND 20# MONO HP | 6.45 |
| 5 | KY026-5 | CRANK BUSHING | 2.83 |
| 6 | GE309 | THUMBSTOP S/A | 1.36 |
| 7 | KZ019 | BAIT ALERT KNB | .49 |
| 8 | KZ301-2 | BODY S/A | 9.64 |
| 9 | KY308-1 | CRANK SHAFT S/A | 3.20 |
| 10 | JY061 | PAWL ACTUATOR | .44 |
| 11 | KZ060 | ACTUATOR PAWL | .56 |
| 12 | KZ014 | BAIT CLICKER | .68 |
| 13 | KZ315 | CENTER SHAFT S/A | 3.80 |
| 14 | KZ323-2 | BACKCOVER/THUMBSTOP S/A | 5.83 |
| 15 | JY121 | RETAINER CLIP | .38 |
| 16 | KZ318-3 | CRANK HANDLE S/A | 3.01 |
| 17 | AZ003 | CRANK NUT | .56 |
| 18 | RY002 | ANTI-REVERSE KNOB | .74 |
| 19 | JY049 | PICKUP PIN ARM SPRING | .44 |
| 20 | KZ065 | ACTUATOR | .68 |
| 21 | GE108 | SPOOL SPRING | .49 |
| 22 | GE017 | CENTER BEARING | 1.05 |
| 23 | KZ086 | DRIVE STUD | .36 |

Prices subject to change without notice. Prices do not include postage and handling.

PLEASE ORDER BY PART NUMBER

Rev. 5/93

Zebco Division Brunswick Corporation, Box 270, Tulsa, OK 74101 USA 918-836-5581

